

Docket Optical System - RERC 3&4 Project (08-SPPE-1) - Additional Information for Transmission Engineering (113560)

From: <mtatterson@powereng.com>
To: <Fmiller@energy.state.ca.us>
Date: 7/22/2008 7:50 AM
Subject: RERC 3&4 Project (08-SPPE-1) - Additional Information for Transmission Engineering (113560)
CC: <whitney.mereness@powereng.com>, <dtateosian@powereng.com>, <allanori@comcast.net>, <bgill@riversideca.gov>, <Dfine@riversideca.gov>, <harry.hall@powereng.com>
Attachments: permit Overall One-Line Diagram.pdf; ECS0E4101-05_RA Model (1).pdf; ECGSKE-2 (2).pdf; ECGSKE-3 (2).pdf

Hello Felicia:

Attached is additional preliminary engineering information including the following:

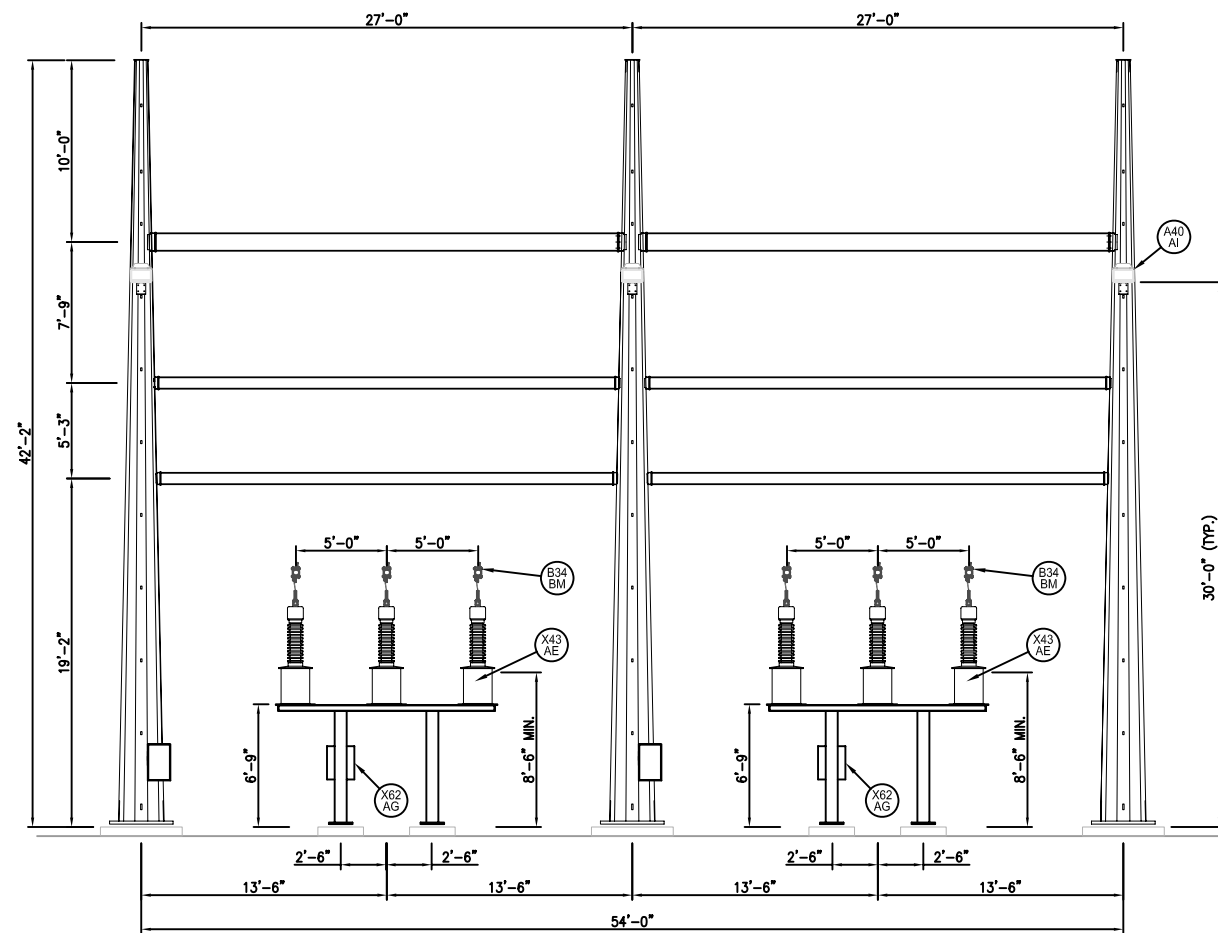
- 1) Sketches ECGSKE-2 and ECGSKE-3 depicting the GSU and lineside cubical and duct bank.
- 2) Permit overall one-line diagram annotated with 69kV feeder, main 15kV duct, and generator primary locations.
- 3) Drawing ECS0E4101-05 RA Model (1) depicting the 69kV switchyard sections.

I will also be sending more information via separate email later today. Call me at 208-890-3576 if you have any questions.

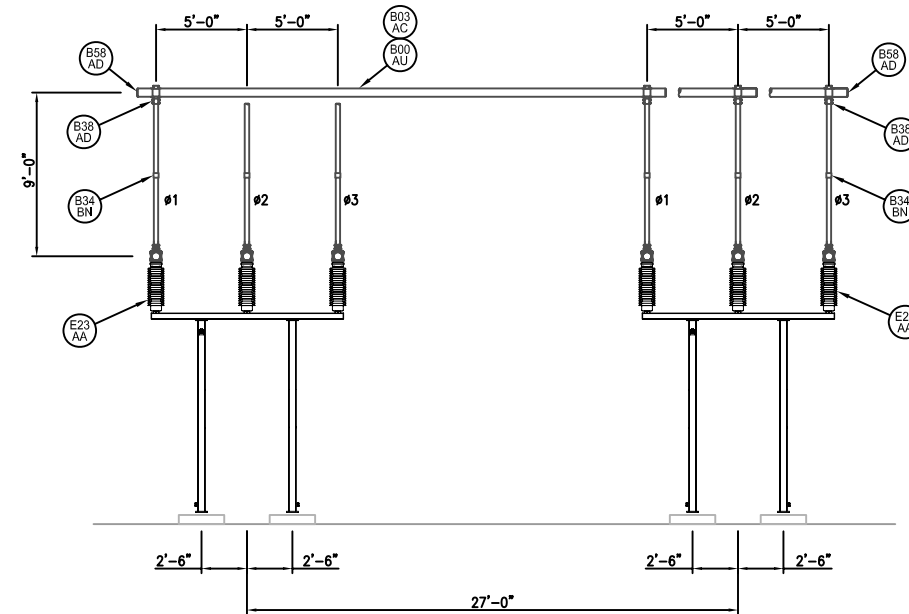
Kindest Regards,

Mike Tatterson
 RERC 3&4 Permitting Lead
 POWER Engineers, Inc.

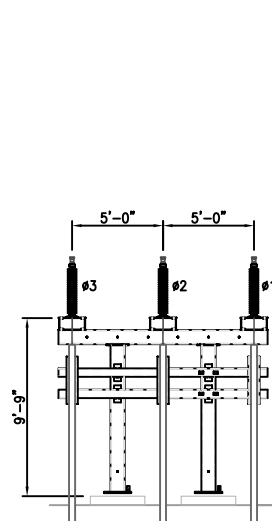
DOCKET	
08-SPPE-1	
DATE	<u>JUL 22 2008</u>
RECD.	<u>JUL 25 2008</u>



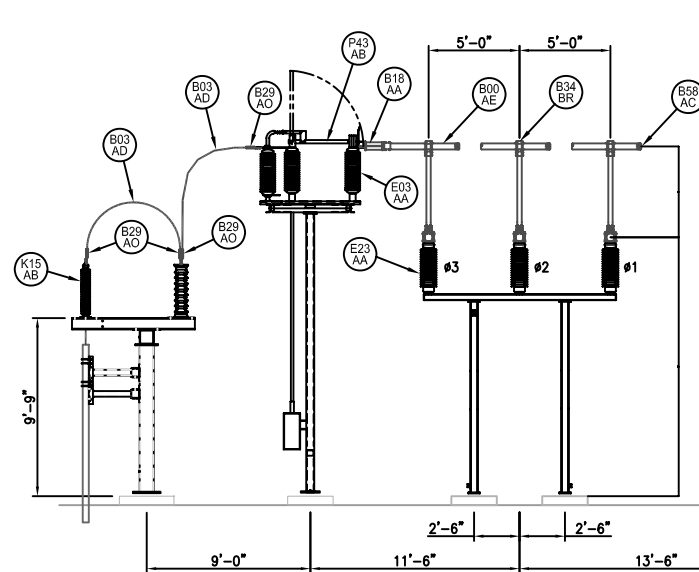
SECTION G-G



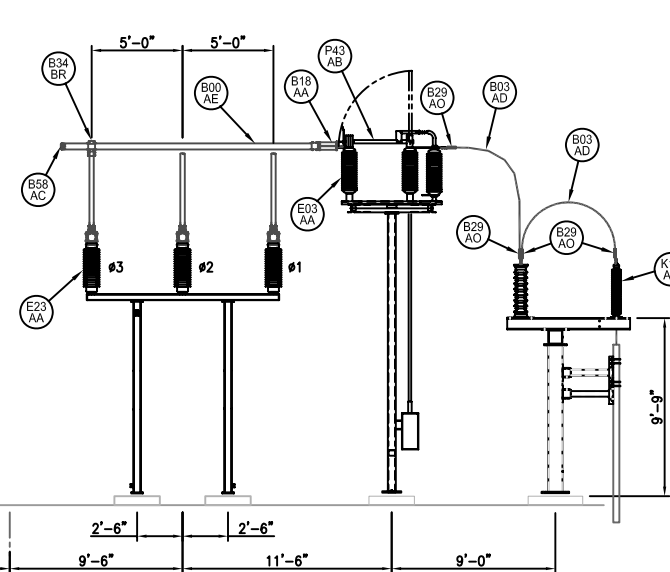
SECTION H-H



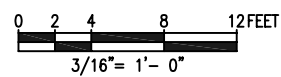
SECTION J-J



SECTION K-K



SECTION L-L



REV	DESCRIPTION	DR	CHK	APP	DATE
A	W.O. 642975 - ISSUED FOR REVIEW	PEI			

RIVERSIDE ENERGY RESOURCE CENTER 69KV SWITCHYARD SECTION G-G, H-H, J-J, K-K AND L-L			
SCALE	3/16"=1'-0"	DRAWN	PEI
DATE	5/8/08	CHECKED	
W.O. NO.	642975	APPROVED	
DRAWING NO. ECSOE4101-06		SHEET 5 OF 5	
FILE NAME ECSOE4101-06_RA.DWG		CITY OF RIVERSIDE PUBLIC UTILITIES	

NEW DRAWING