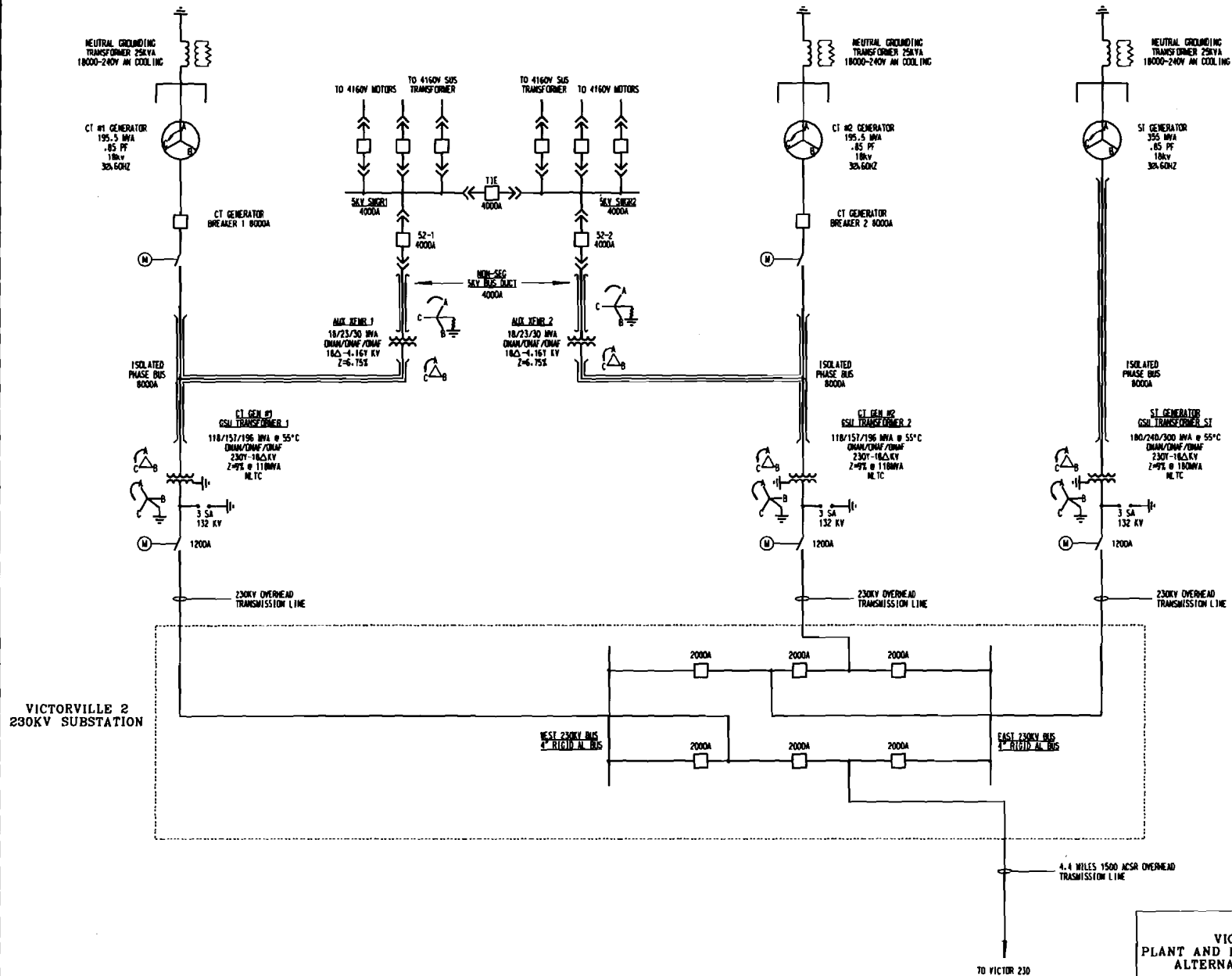
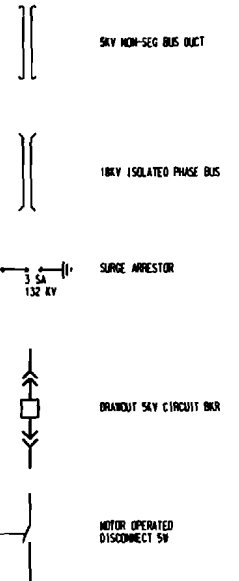


\*\*\* CONCEPTUAL DESIGN \*\*\*  
 SUBJECT TO CHANGE

**LEGENDS**



VICTORVILLE 2  
 230KV SUBSTATION

**DOCKET**  
**07-AFC-1**  
 DATE SEP 21 2007  
 RECD. SEP 21 2007

VICTORVILLE TWO PROJECT  
 PLANT AND INTERCONNECTION I-LINE DIAGRAM  
 ALTERNATE INTERCONNECTION OPTION  
 VIC-2.1-LINE.DETAIL.V3.VSD PG.2 REVISED 04/05/2007