

DOCKETED

Docket Number:	08-AFC-09C
Project Title:	Palmdale Energy Project (Formerly Palmdale Hybrid Power Plant) - Compliance
TN #:	208550
Document Title:	Palmdale Energy LLC's Supplemental Response to CEC Staff Data Request 62
Description:	N/A
Filer:	Marie Fleming
Organization:	DayZen LLC
Submitter Role:	Applicant Representative
Submission Date:	1/22/2016 8:35:38 AM
Docketed Date:	1/22/2016

INTRODUCTION

Attached is Palmdale Energy, LLC's supplemental response to California Energy Commission Staff (Staff) Data Request 62 for the Palmdale Energy Project (PEP) Petition For Amendment. For context the text of the Data Request precedes the Data Response.

WORKER SAFETY AND FIRE PROTECTION (62)

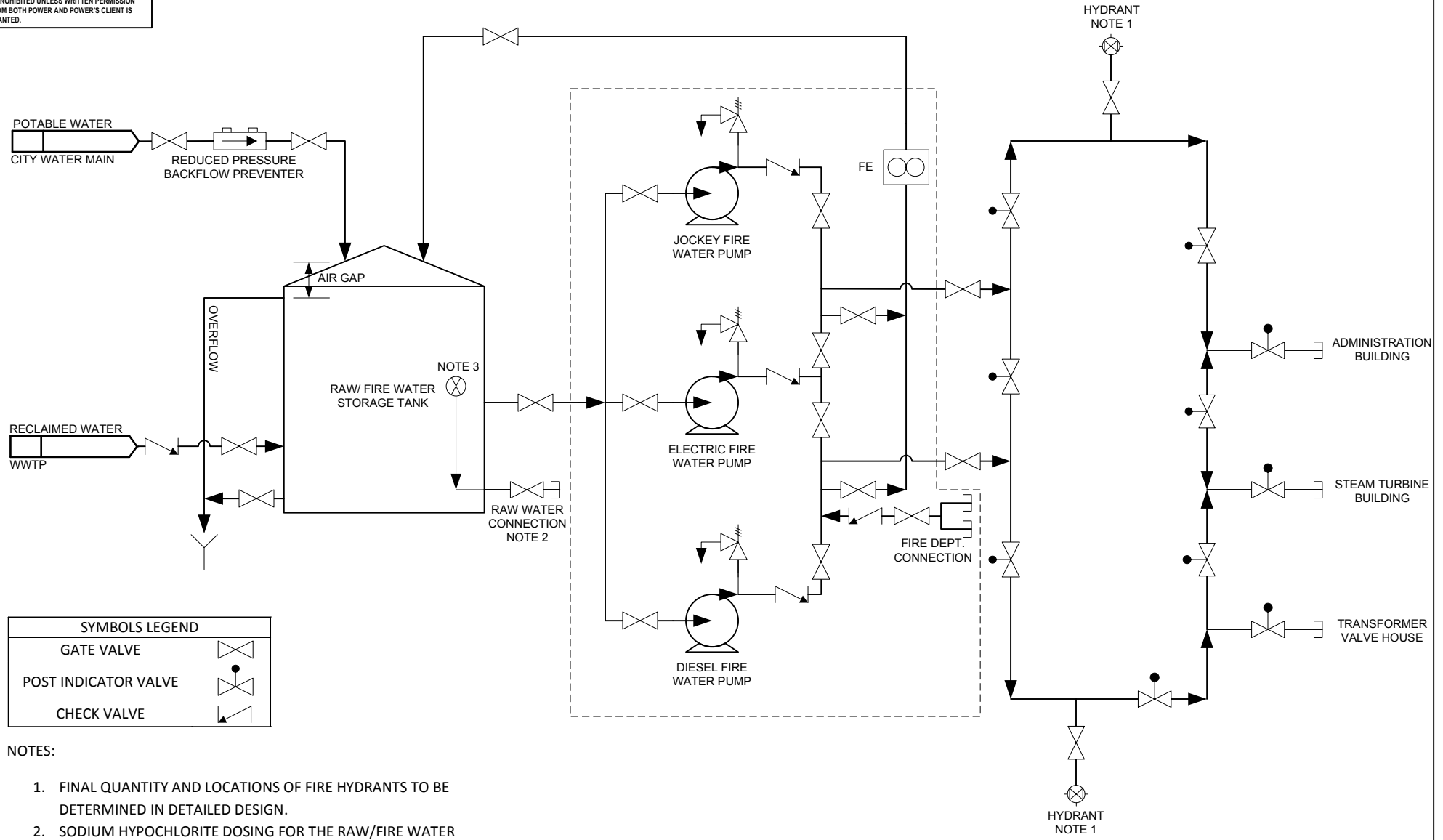
Data Request 62

Please describe the backup water supply to the fire suppression system when the dedicated 200,000 gallon on-site reserve is exhausted. If the back-up supply is the potable water main from the LA county Waterworks District #40 pipeline, please describe the engineering system that will be used to connect to this source and the cross-connection prevention methods to be used.

Response to Data Request 62

Potable water from the Los Angeles County Waterworks District #40 will be used as the backup source of fire water. The use of potable water requires backflow prevention measures to protect potable water sources from contamination. The potable water pipe supplying water to the Raw/Fire Water Storage Tank will be equipped with a Reduced Pressure Principle Backflow Prevention Device that is UL listed, FM approved, and meets the requirements of NSF Standard 61 and AWWA C506-78(R83). In addition, the potable water will be fed into the top of the Raw/Fire Water Storage tank to provide an air gap separation between the point of potable water entry into the tank and the overflow piping for the tank. The fire protection system process flow diagram provided as Figure DR-62 depicts the location of the backflow prevention device and air gap.

THIS DRAWING WAS PREPARED BY POWER ENGINEERS, INC. FOR A SPECIFIC PROJECT. TAKING INTO CONSIDERATION THE SPECIFIC AND UNIQUE REQUIREMENTS OF THE PROJECT, REUSE OF THIS DRAWING OR ANY INFORMATION CONTAINED IN THIS DRAWING FOR ANY PURPOSE IS PROHIBITED UNLESS WRITTEN PERMISSION FROM BOTH POWER AND POWER'S CLIENT IS GRANTED.



SYMBOLS LEGEND	
GATE VALVE	
POST INDICATOR VALVE	
CHECK VALVE	

NOTES:

1. FINAL QUANTITY AND LOCATIONS OF FIRE HYDRANTS TO BE DETERMINED IN DETAILED DESIGN.
2. SODIUM HYPOCHLORITE DOSING FOR THE RAW/FIRE WATER STORAGE TANK WILL BE LOCATED IN THE RAW WATER PUMP RECIRCULATION PIPING.
3. INTERNAL STANDPIPE PROVIDED TO RESERVE CAPACITY FOR FIRE WATER SERVICE.

									DSGN	SEG	04JAN16		PALMDALE ENERGY	JOB NUMBER	REV
								DRN	DPC	04JAN16			PROCESS FLOW DIAGRAM	140073	
								CKD	TRC	05JAN16			FIRE PROTECTION SYSTEM	DRAWING NUMBER	
A	ISSUED FOR REVIEW	08JAN16	DPC	SEG	TRC	TRC			SCALE: NTS					MSK1-1	
REV	REVISIONS	DATE	DRN	DSGN	CKD	APPD	REFERENCE DRAWINGS		FOR 8.5x11 DWG ONLY						