

DOCKETED

Docket Number:	00-AFC-01C
Project Title:	Contra Costa Power Plant Project Compliance
TN #:	204675
Document Title:	Petition for Insignificant Project Change to Plant Facility
Description:	Additional Decking on the East Side of the Steam Turbine Deck
Filer:	Patty Paul
Organization:	Pacific Gas & Electric Company
Submitter Role:	Applicant Representative
Submission Date:	5/21/2015 8:36:39 AM
Docketed Date:	5/21/2015



**Pacific Gas and
Electric Company[®]**

Mailing Address:
Pacific Gas & Electric Company
Gateway Generating Station
3225 Wilbur Ave.
Antioch, CA 94509
(925) 522-7801

May 20, 2015

Mr. Joseph Douglas
Compliance Project Manager
California Energy Commission
1516 Ninth Street, MS-2000
Sacramento, CA 95814

Reference: PG&E Gateway Generating Station (00-AFC-01C)

Subject: PETITION FOR INSIGNIFICANT PROJECT CHANGE TO PLANT FACILITY
(Additional Decking on the East Side of the Steam Turbine Deck)

Dear Mr. Douglas,

Enclosed is a PETITION FOR INSIGNIFICANT PROJECT CHANGE TO PLANT FACILITY to install additional grating-type decking on the east side of the Steam Turbine structure, and to relocate area lighting and associated electrical power supply wiring and conduits. A similar petition was approved by the Commission in April 10, 2015 for work at PG&E's Colusa Generating Station that is nearly identical to the work described in this petition. Relevant design drawings and construction plan are also enclosed.

We have reviewed Commission Decision (00-AFC-1), and we believe that the above requested insignificant project change will not result in any new environmental impacts or require any modification to the existing Conditions of Certification contained in the Final Decision. If you have any questions regarding this matter, please contact Angel Espiritu at (925) 522-7838.

Sincerely,

A handwritten signature in blue ink, appearing to read 'Benjamin E. Stanley', written over a light blue horizontal line.

Benjamin E. Stanley
Senior Plant Manager

Enclosure: a/s

Cc: File

**PETITION FOR INSIGNIFICANT PROJECT CHANGE
AT
GATEWAY GENERATING STATION (GGS)**

1. Installation of Additional Decking on East Side of Steam Turbine Deck:

The current Gateway Generating Station (GGS) steam turbine deck configuration has one open area on its east side which was not originally fitted with grating-type decking during plant construction -- see proposed grating addition area outlined in red in left side lower half of Figure 1 (see attached drawing).

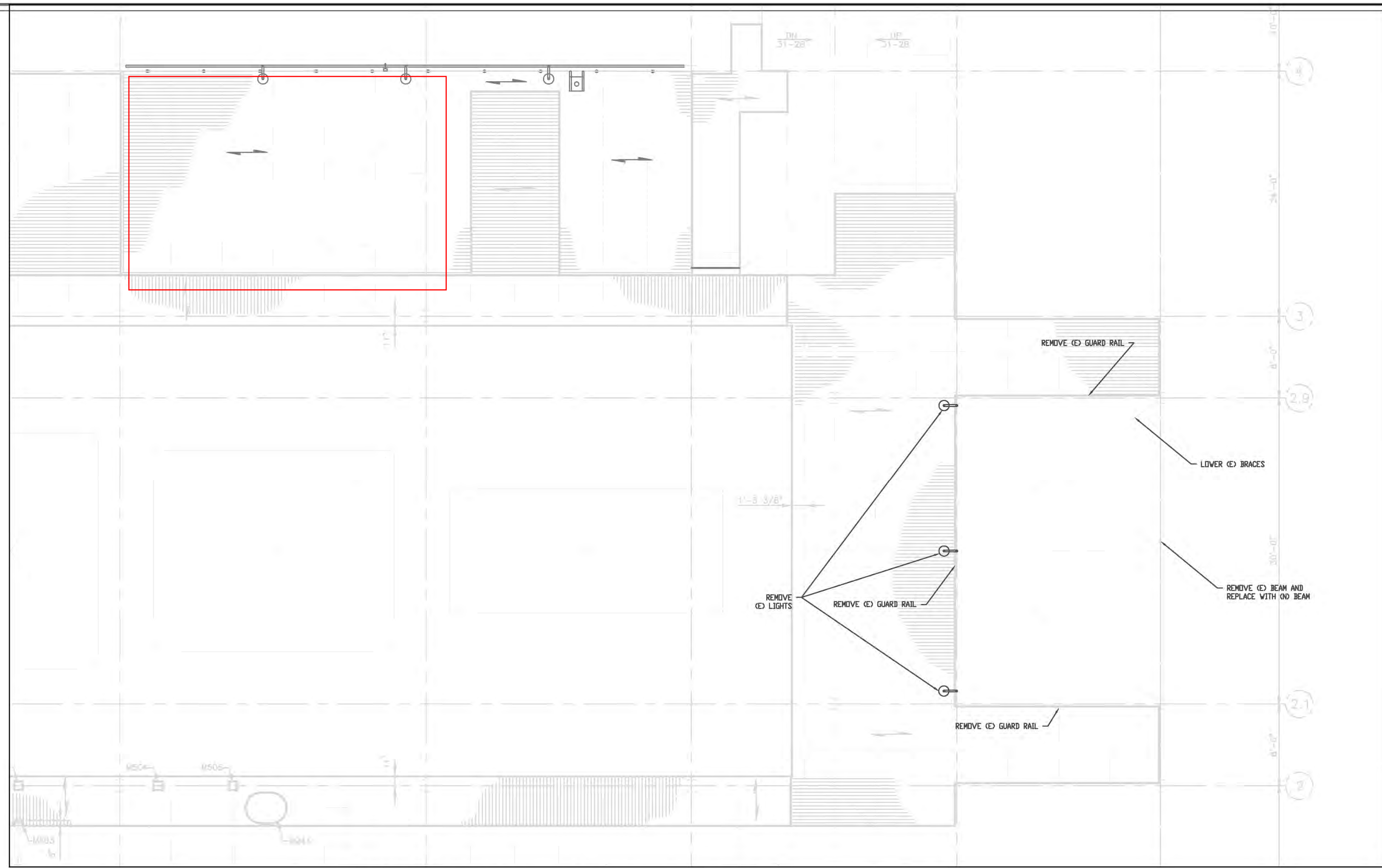
- a. Description of Modification: PG&E proposes to: (See the “Conceptual Demo Plan” portion of the left side upper half of Figure 1 for reference for Items 1 through 3): (1.) Remove the lighting and associated electrical power supply conduit runs currently installed along the west perimeter of the subject open Steam Turbine (ST) Deck area; (2) Remove the guard rails installed along the north, west and south perimeters of the subject open ST Deck area; (3) Perform the X-brace and east side structural beam modifications shown in the left side upper half of Figure 1; (4) Install additional structural brace beams – see the “Elevation 1” section of Figure 1 (south side of subject section of ST Deck looking north) and in the “Elevation 2” section of Figure 1 (east side of subject section of ST Deck looking west) – attached to the structural column beams and underlying horizontal decking support beams as shown in Elevations 1 and 2 of Figure 1, to provide support under the area to which grating-type decking is being added; (5) Install grating-type decking in the area outlined in red as depicted in the “Conceptual Const. Plan” portion of the left side lower half of Figure 1; (6) Re-install the lighting, associated electrical power supply conduit runs, and guard rail along the east perimeter of the subject open area. This proposed project will not require excavation or any ground disturbing activity. The relocation of lighting and electrical power supply conduit runs will be done above ground at the elevation of the existing turbine deck. This project is planned to be started in July 2015.
- b. Necessity for the Modification: The proposed decking addition will provide a needed augmentation of laydown space on the east side of the Steam Turbine Deck in preparation for the GGS major steam turbine overhaul outage scheduled for the Spring of 2016. This decking modification will be especially useful during the Spring 2016 Outage for purposes of providing an accessible area within which room is available to execute the removal of the currently-installed steam turbine generator’s rotor and subsequent installation of the new rotor, as well as for provision of laydown space for tool and spare parts storage containers (e.g., Conex Boxes).
- c. Modification was not known at the time of Certification: The need for this modification became apparent approximately six years after GGS was commissioned during the course of planning for the anticipated logistical

requirements associated with the Spring 2014 Outage steam turbine maintenance and inspection work window.

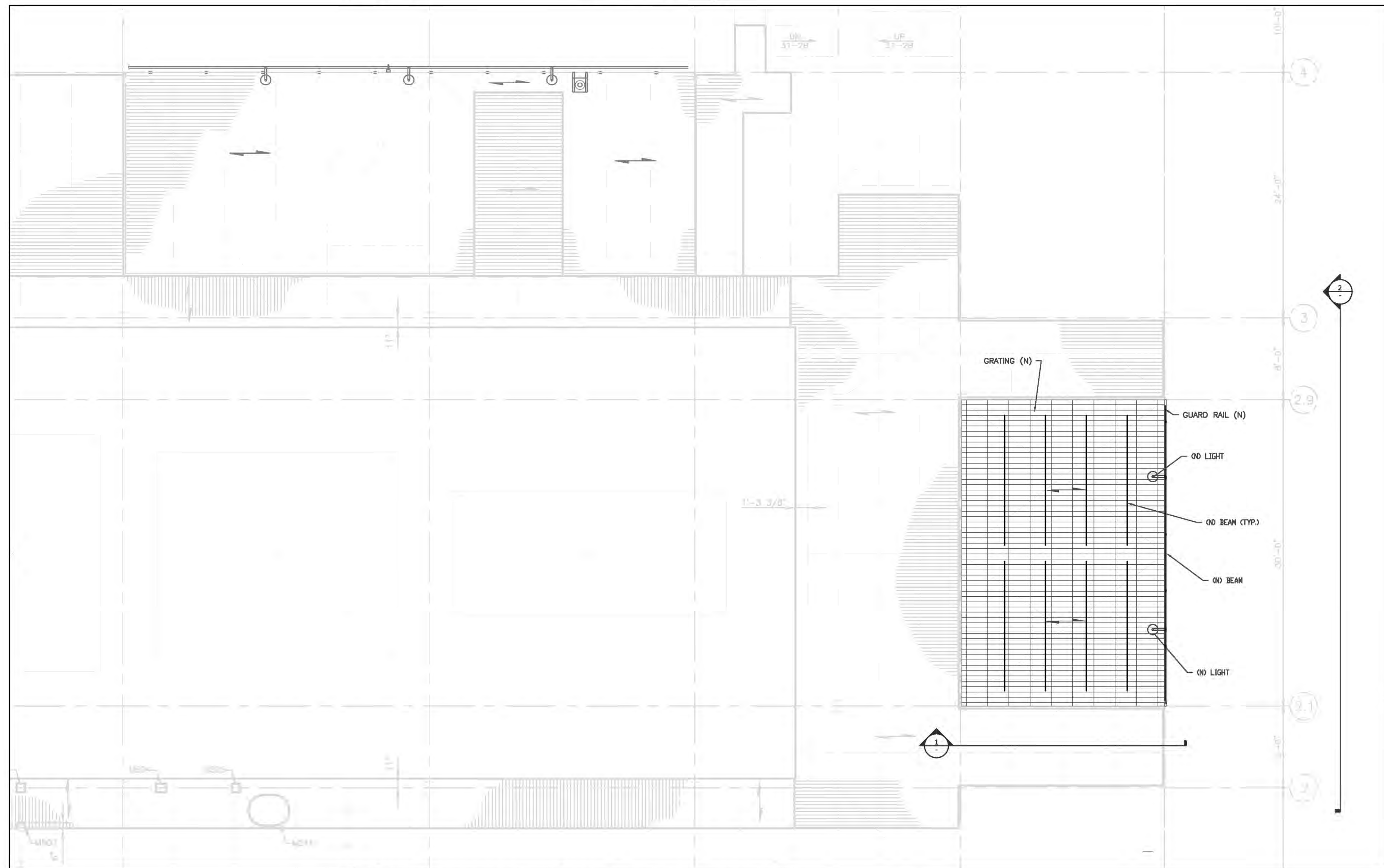
- d. If the modification is based on new information that changes or undermines the assumptions, rationale, findings, or other bases of the final decision, an explanation of why the change should be permitted: The modification does not change or undermine in any way the assumptions, rationale, findings, or other basis of the CEC Final Decision (00-AFC-1).
- e. Analysis of the impacts the modification may have on the environment: No environmental impacts are anticipated due to implementing the proposed modification, as the decking to be added will be treated with a standard industrial coating to mitigate any environmental degradation (i.e., corrosion) to which it may be subject due to the ambient environment.
- f. Analysis of the impact of the modification on the facility's ability to comply with applicable laws, ordinances, regulations, and standards: The proposed modification does not impact the facility's ability to comply with applicable laws, ordinances, regulations and standards, based on its nature as described above.
- g. A discussion of how the proposed modification affects the public: This modification will have no adverse effect on the public. The change will not likely be noticeable to the public as it will have a low visibility profile configuration, due to visually insignificant changes being made in the Steam Turbine Deck structure.
- h. Property owners potentially affected by the modification: For the reasons stated above, it is anticipated that no property owners will be affected by this proposed modification. Attachment 2 provides a list of addresses of property owners within one mile radius of GGS site.

ATTACHMENT 1

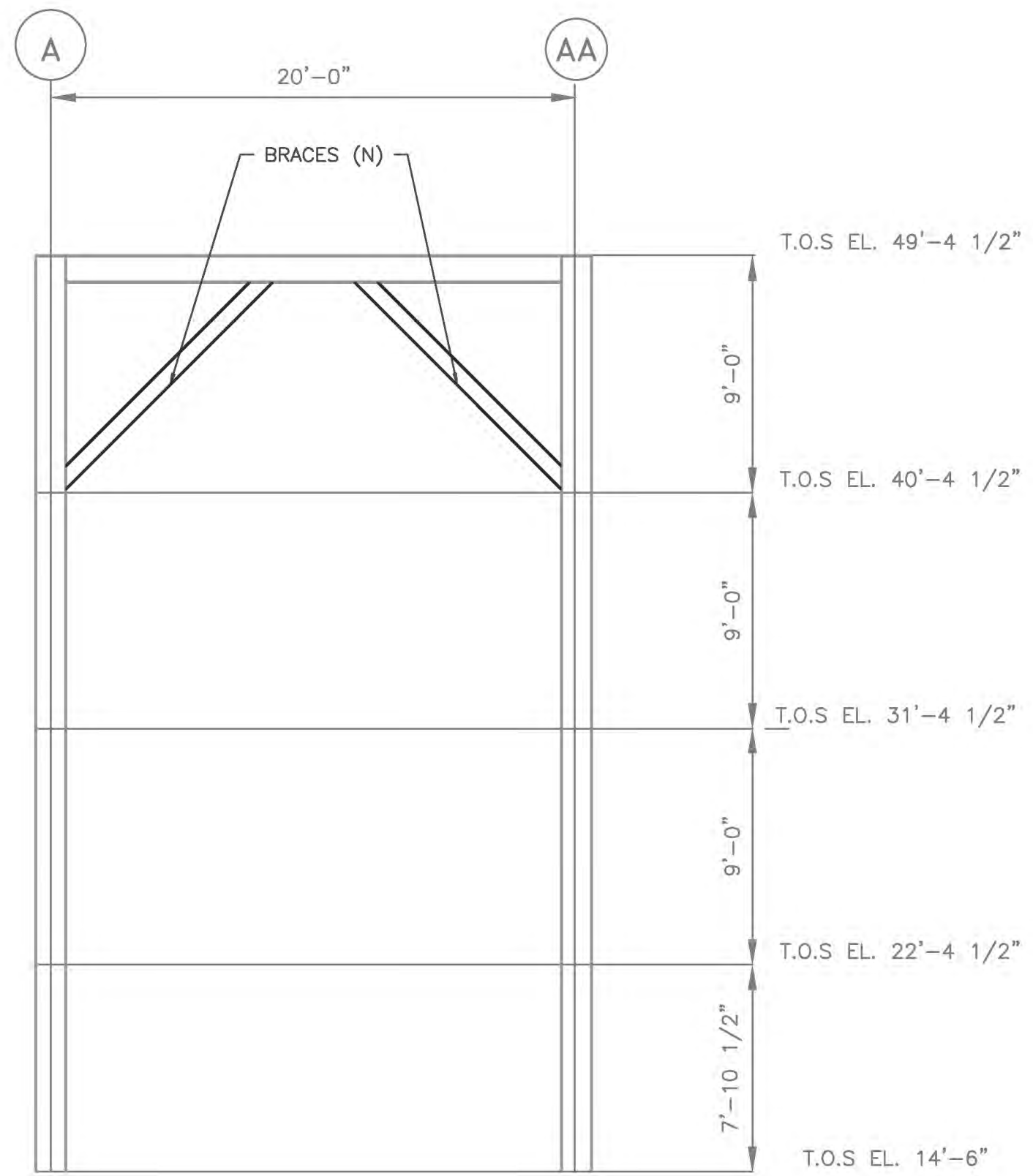
DESIGN DRAWINGS AND CONCEPTUAL PLANS



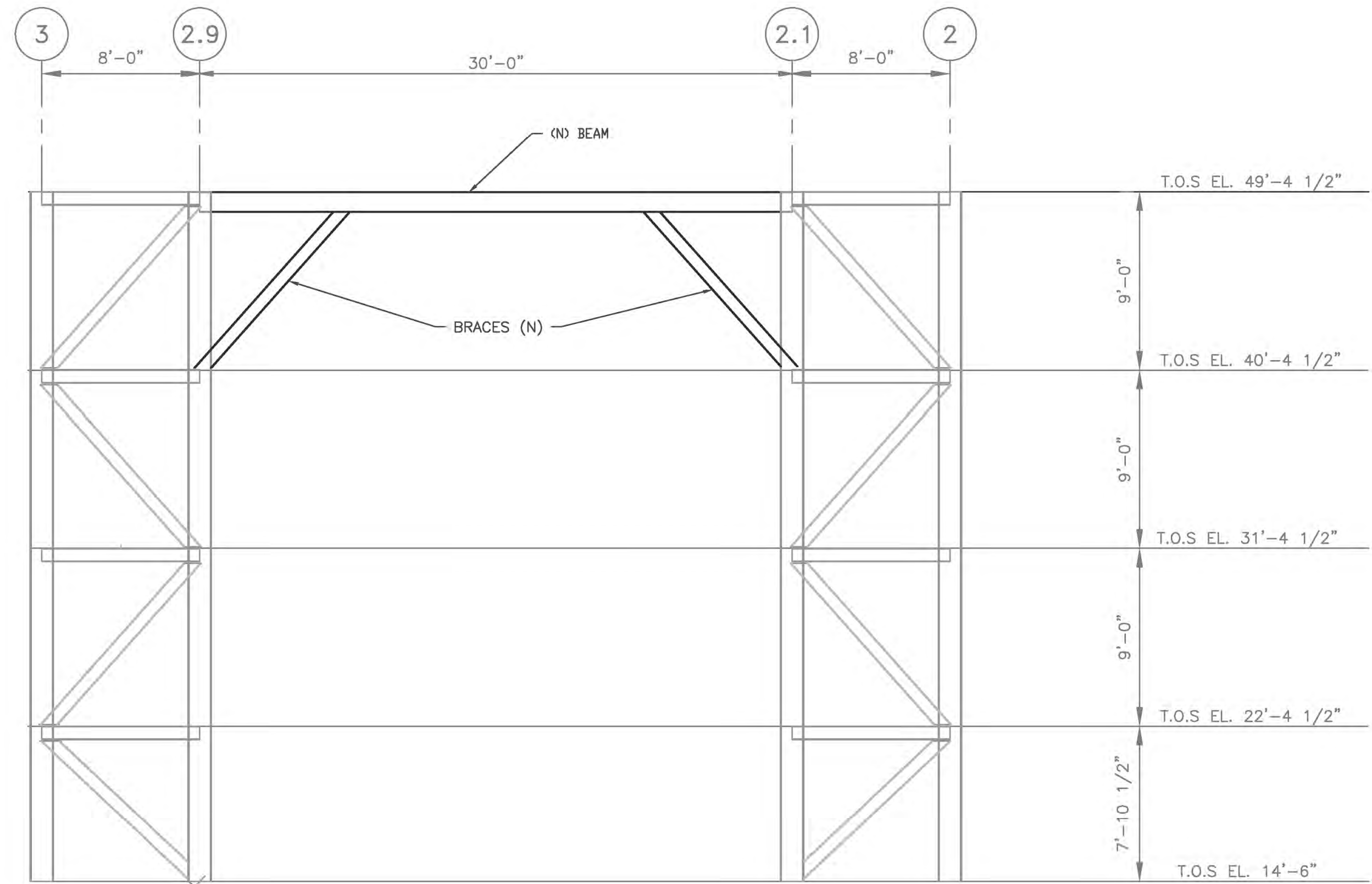
CONCEPTUAL DEMO PLAN
SCALE: NTS ELEV. = 49'-4 1/2"



CONCEPTUAL CONST. PLAN
SCALE: NTS ELEV. = 49'-4 1/2"



ELEVATION 1
SCALE: NTS



ELEVATION 2
SCALE: NTS

LEGEND:
GRATING SPAN DIRECTION

REVISIONS	DRAWN	DATE

CE CHOW ENGINEERING, INC.
7770 PARDEE LANE, SUITE 100
OAKLAND, CA 94621
Phone: (510) 656-8500 Fax: (510) 656-8544
Web: www.choweng.com E-Mail: info@choweng.com

SHEET TITLE: STEAM TURBINE DECK
MODIFICATIONS
CONCEPTUAL DESIGN - NOT FOR CONSTRUCTION
OWNER: PACIFIC GAS & ELECTRIC COMPANY
GATEWAY GENERATING STATION
ANTIOCH, CA. 94509

STAMP

DATE
DRAWN
CHECKED DW
JOB NO.
SCALE NTS
DRAWING No.
A-1
SHEET No.
REV.

ATTACHMENT 2

**LIST OF ADDRESSES OF PROPERTY OWNERS WITHIN ONE-MILE RADIUS
FROM PLANT FACILITY**

037 020 002
Resident
86 Big Break Rd #96
Oakley CA 94561

037 050 005
Resident
361 Sandy Ln
Oakley CA 94561

037 050 013
Resident
1033 Main St
Oakley CA 94561

037 060 001
Resident
5180 Neroly Rd
Oakley CA 94561

037 060 002
Resident
5200 Neroly Rd
Oakley CA 94561

037 060 005
Resident
5230 Neroly Rd
Oakley CA 94561

037 060 006
Resident
5240 Neroly Rd
Oakley CA 94561

037 060 008
Resident
5330 Neroly Rd
Oakley CA 94561

037 080 013
Resident
2620 Oakley Rd
Oakley CA 94561

037 080 019
Resident
350 Sandy Ln
Oakley CA 94561

037 080 021
Resident
2540 Oakley Rd
Oakley CA 94561

037 080 024
Resident
310 Sandy Ln
Oakley CA 94561

037 080 026
Resident
5265 Live Oak Ave
Oakley CA 94561

051 040 009
Resident
480 Fleming Ln
Antioch CA 94509

051 040 056
Resident
6317 Bridgehead Rd
Antioch CA 94509

051 040 070
Resident
415 Fleming Ln #485
Antioch CA 94509

051 061 001
Resident
1650 Viera Ave
Antioch CA 94509

051 061 002
Resident
1700 Viera Ave #1718
Antioch CA 94509

051 061 003
Resident
1730 Viera Ave
Antioch CA 94509

051 062 004
Resident
1839 Stewart Ln
Antioch CA 94509

051 062 005
Resident
1829 Stewart Ln
Antioch CA 94509

051 062 006
Resident
1705 Viera Ave
Antioch CA 94509

051 062 010
Resident
1853 Stewart Ln #1867
Antioch CA 94509

051 071 001
Resident
1524 Viera Ave
Antioch CA 94509

051 071 002
Resident
1550 Viera Ave
Antioch CA 94509

051 071 003
Resident
1560 Viera Ave
Antioch CA 94509

051 071 005
Resident
1600 Viera Ave
Antioch CA 94509

051 071 006
Resident
1606 Viera Ave #1618
Antioch CA 94509

051 071 008
Resident
1588 Viera Ave
Antioch CA 94509

051 071 011
Resident
1636 Viera Ave
Antioch CA 94509

051 071 012
Resident
1628 Viera Ave
Antioch CA 94509

051 072 005
Resident
1537 Viera Ave
Antioch CA 94509

051 072 006
Resident
1540 Walnut Ave
Antioch CA 94509

051 072 007
Resident
1554 Walnut Ave
Antioch CA 94509

051 072 013
Resident
1549 Viera Ave
Antioch CA 94509

051 072 014
Resident
1565 Viera Ave
Antioch CA 94509

051 072 015
Resident
1863 Bown Ln
Antioch CA 94509

051 072 016
Resident
1877 Bown Ln
Antioch CA 94509

051 072 017
Resident
1568 Walnut Ave
Antioch CA 94509

051 072 018
Resident
1580 Walnut Ave
Antioch CA 94509

051 073 001
Resident
1605 Viera Ave
Antioch CA 94509

051 073 002
Resident
1601 Viera Ave
Antioch CA 94509

051 073 003
Resident
1837 Vine Ln
Antioch CA 94509

051 073 004
Resident
1845 Vine Ln
Antioch CA 94509

051 073 005
Resident
1859 Vine Ln
Antioch CA 94509

051 073 006
Resident
1867 Vine Ln
Antioch CA 94509

051 073 007
Resident
1881 Vine Ln
Antioch CA 94509

051 073 008
Resident
1897 Vine Ln
Antioch CA 94509

051 073 009
Resident
1905 Vine Ln
Antioch CA 94509

051 073 011
Resident
1965 Vine Ln
Antioch CA 94509

051 073 012
Resident
1585 Walnut Ave
Antioch CA 94509

051 073 012
Resident
1585 Walnut Ave
Antioch CA 94509

051 073 014
Resident
1537 Walnut Ave
Antioch CA 94509

051 073 015
Resident
1523 Walnut Ave
Antioch CA 94509

051 073 016
Resident
1551 Walnut Ave
Antioch CA 94509

051 073 017
Resident
1927 Vine Ln
Antioch CA 94509

051 073 018
Resident
1945 Vine Ln
Antioch CA 94509

051 073 019
Resident
1567 Walnut Ave
Antioch CA 94509

051 073 020
Resident
1559 Walnut Ave
Antioch CA 94509

051 074 001
Resident
1966 Vine Ln
Antioch CA 94509

051 074 002
Resident
1954 Vine Ln
Antioch CA 94509

051 074 003
Resident
1936 Vine Ln #1944
Antioch CA 94509

051 074 003
Resident
1936 Vine Ln #1944
Antioch CA 94509

051 074 005
Resident
1898 Vine Ln
Antioch CA 94509

051 074 007
Resident
1870 Vine Ln
Antioch CA 94509

051 074 008
Resident
1854 Vine Ln
Antioch CA 94509

051 074 009
Resident
1836 Vine Ln
Antioch CA 94509

051 074 011
Resident
1908 Vine Ln
Antioch CA 94509

051 074 012
Resident
1920 Vine Ln
Antioch CA 94509

051 081 001
Resident
1400 Viera Ave
Antioch CA 94509

051 081 003
Resident
1428 Viera Ave #b1434
Antioch CA 94509

051 081 004
Resident
1452 Viera Ave
Antioch CA 94509

051 081 006
Resident
1470 Viera Ave
Antioch CA 94509

051 081 007
Resident
1490 Viera Ave
Antioch CA 94509

051 081 008
Resident
1500 Viera Ave #1512
Antioch CA 94509

051 082 002
Resident
1497 Walnut Ave
Antioch CA 94509

051 082 003
Resident
1473 Walnut Ave
Antioch CA 94509

051 082 004
Resident
1957 Santa Fe Ave
Antioch CA 94509

051 082 005
Resident
1915 Santa Fe Ave
Antioch CA 94509

051 082 006
Resident
1887 Santa Fe Ave
Antioch CA 94509

051 082 007
Resident
1859 Santa Fe Ave
Antioch CA 94509

051 082 008
Resident
1831 Santa Fe Ave
Antioch CA 94509

051 082 011
Resident
1939 Santa Fe Ave
Antioch CA 94509

051 082 013
Resident
1503 Walnut Ave
Antioch CA 94509

051 082 014
Resident
1515 Walnut Ave
Antioch CA 94509

051 083 001
Resident
1528 Walnut Ave
Antioch CA 94509

051 083 002
Resident
1506 Walnut Ave
Antioch CA 94509

051 083 004
Resident
1866 Santa Fe Ave #1888
Antioch CA 94509

051 083 005
Resident
1834 Santa Fe Ave
Antioch CA 94509

051 083 006
Resident
1471 Viera Ave
Antioch CA 94509

051 083 009
Resident
1509 Viera Ave
Antioch CA 94509

051 083 010
Resident
1487 Viera Ave
Antioch CA 94509

051 083 012
Resident
1495 Viera Ave
Antioch CA 94509

051 092 004
Resident
2566 Wilbur Ave
Antioch CA 94509

051 120 020
Resident
1650 Trembath Ln #1660
Antioch CA 94509

051 120 024
Resident
1450 Trembath Ln
Antioch CA 94509

051 120 025
Resident
1550 Trembath Ln
Antioch CA 94509

051 120 029
Resident
1715 Hillcrest Ave
Antioch CA 94509

051 130 001
Resident
1305 Saint Claire Dr
Antioch CA 94509

051 130 002
Resident
1277 Saint Claire Dr #st
Antioch CA 94509

051 140 001
Resident
1705 Trembath Ln
Antioch CA 94509

051 140 003
Resident
1625 Trembath Ln
Antioch CA 94509

051 140 006
Resident
1501 Trembath Ln
Antioch CA 94509

051 140 007
Resident
1425 Trembath Ln
Antioch CA 94509

051 140 012
Resident
1613 Saint Claire Dr
Antioch CA 94509

051 140 013
Resident
1525 Saint Claire Dr
Antioch CA 94509

051 140 014
Resident
1423 Saint Claire Dr
Antioch CA 94509

051 140 015
Resident
1420 Saint Claire Dr
Antioch CA 94509

051 140 019
Resident
88 Mike Yorba Way
Antioch CA 94509

051 140 020
Resident
1675 Trembath Ln
Antioch CA 94509

051 140 025
Resident
1620 Saint Claire Dr
Antioch CA 94509

051 140 026
Resident
1520 Saint Claire Dr
Antioch CA 94509

051 140 027
Resident
1651 Saint Claire Dr
Antioch CA 94509

051 140 028
Resident
1715 Saint Claire Dr
Antioch CA 94509

051 140 035
Resident
1575 Trembath Ln
Antioch CA 94509

051 140 035
Resident
1575 Trembath Ln
Antioch CA 94509

051 180 009
Resident
2625 Oakley Rd
Antioch CA 94509

051 180 011
Resident
2451 Willow Ave
Antioch CA 94509

051 180 011
Resident
2451 Willow Ave
Antioch CA 94509

051 180 016
Resident
2281 Willow Ave
Antioch CA 94509

051 180 017
Resident
2425 Willow Ave
Antioch CA 94509

051 180 021
Resident
3870 Oakley Rd
Antioch CA 94509

051 190 027
Resident
3001 Oakley Rd
Antioch CA 94509

051 190 027
Resident
3001 Oakley Rd
Antioch CA 94509

051 190 036
Resident
3000 E 18th St
Antioch CA 94509

051 190 039
Resident
3020 E 18th St #e
Antioch CA 94509

051 190 040
Resident
3010 E 18th St
Antioch CA 94509

051 200 004
Resident
1837 Wightman Ln
Antioch CA 94509

051 200 007
Resident
1825 Wightman Ln
Antioch CA 94509

051 200 012
Resident
1845 Wightman Ln #b
Antioch CA 94509

051 200 026
Resident
3560 E 18th St
Antioch CA 94509

051 200 037
Resident
1841 Holub Ln
Antioch CA 94509

051 200 037
Resident
1841 Holub Ln
Antioch CA 94509

051 200 048
Resident
2273 Phillips Ln
Antioch CA 94509

051 200 049
Resident
2401 Phillips Ln
Antioch CA 94509

051 200 055
Resident
2425 Phillips Ln
Antioch CA 94509

051 200 061
Resident
2435 Phillips Ln
Antioch CA 94509

051 200 062
Resident
3331 Oakley Rd
Antioch CA 94509

051 200 063
Resident
3335 Oakley Rd
Antioch CA 94509

051 200 066
Resident
1849 Wightman Ln
Antioch CA 94509

051 200 066
Resident
1849 Wightman Ln
Antioch CA 94509

051 200 068
Resident
3400 E 18th St
Antioch CA 94509

051 200 070
Resident
1805 Wightman Ln
Antioch CA 94509

051 210 026
Resident
5208 Elm Ln
Oakley CA 94561

051 210 027
Resident
5214 Elm Ln
Oakley CA 94561

051 220 003
Resident
5387 Elm Ln
Oakley CA 94561

051 220 004
Resident
5487 Elm Ln
Oakley CA 94561

051 220 005
Resident
5301 Elm Ln
Oakley CA 94561

051 220 005
Resident
5301 Elm Ln
Oakley CA 94561

051 220 008
Resident
5266 Elm Ln
Oakley CA 94561

051 220 009
Resident
5278 Elm Ln
Oakley CA 94561

051 220 010
Resident
5284 Elm Ln
Oakley CA 94561

051 220 011
Resident
5292 Elm Ln
Oakley CA 94561

051 220 012
Resident
5298 Elm Ln
Oakley CA 94561

051 220 012
Resident
5298 Elm Ln
Oakley CA 94561

051 220 014
Resident
5312 Elm Ln
Oakley CA 94561

051 220 015
Resident
5328 Elm Ln
Oakley CA 94561

051 220 016
Resident
5346 Elm Ln
Oakley CA 94561

051 220 017
Resident
5394 Elm Ln
Oakley CA 94561

051 220 018
Resident
5406 Elm Ln
Oakley CA 94561

051 220 030
Resident
5279 Neroly Rd
Oakley CA 94561

051 220 031
Resident
5271 Neroly Rd
Oakley CA 94561

051 220 032
Resident
5259 Neroly Rd
Oakley CA 94561

051 220 034
Resident
5317 Neroly Rd
Oakley CA 94561

051 220 035
Resident
5301 Neroly Rd
Oakley CA 94561

051 220 036
Resident
5254 Elm Ln
Oakley CA 94561

051 220 037
Resident
5246 Elm Ln
Oakley CA 94561

051 220 045
Resident
5234 Elm Ln
Oakley CA 94561

051 220 046
Resident
5226 Elm Ln
Oakley CA 94561

051 220 048
Resident
5241 Neroly Rd
Oakley CA 94561

051 220 049
Resident
5235 Neroly Rd
Oakley CA 94561

051 220 050
Resident
5249 Neroly Rd
Oakley CA 94561

051 301 001
Resident
1621 Lipton St
Antioch CA 94509

051 301 002
Resident
1623 Lipton St
Antioch CA 94509

051 301 003
Resident
1627 Lipton St
Antioch CA 94509

051 301 004
Resident
1629 Lipton St
Antioch CA 94509

051 301 005
Resident
1701 Lipton St
Antioch CA 94509

051 301 006
Resident
1703 Lipton St
Antioch CA 94509

051 301 007
Resident
1707 Lipton St
Antioch CA 94509

051 301 008
Resident
1709 Lipton St
Antioch CA 94509

051 301 009
Resident
1713 Lipton St
Antioch CA 94509

051 301 010
Resident
1715 Lipton St
Antioch CA 94509

051 301 011
Resident
1719 Lipton St
Antioch CA 94509

051 301 012
Resident
1721 Lipton St
Antioch CA 94509

051 301 013
Resident
1725 Lipton St
Antioch CA 94509

051 301 014
Resident
1727 Lipton St
Antioch CA 94509

051 301 015
Resident
1731 Lipton St
Antioch CA 94509

051 301 016
Resident
1733 Lipton St
Antioch CA 94509

051 301 017
Resident
1737 Lipton St
Antioch CA 94509

051 301 018
Resident
1739 Lipton St
Antioch CA 94509

051 301 019
Resident
1743 Lipton St
Antioch CA 94509

051 301 020
Resident
1745 Lipton St
Antioch CA 94509

051 301 021
Resident
1749 Lipton St
Antioch CA 94509

051 301 022
Resident
1751 Lipton St
Antioch CA 94509

051 301 023
Resident
1755 Lipton St
Antioch CA 94509

051 301 024
Resident
1757 Lipton St
Antioch CA 94509

051 301 025
Resident
1761 Lipton St
Antioch CA 94509

051 301 026
Resident
1763 Lipton St
Antioch CA 94509

051 302 001
Resident
1314 Trembath Ln
Antioch CA 94509

051 302 002
Resident
1312 Trembath Ln
Antioch CA 94509

051 302 003
Resident
1308 Trembath Ln
Antioch CA 94509

051 302 004
Resident
1306 Trembath Ln
Antioch CA 94509

051 302 005
Resident
1302 Trembath Ln
Antioch CA 94509

051 302 006
Resident
1300 Trembath Ln
Antioch CA 94509

051 303 001
Resident
1326 Jasmine Ct
Antioch CA 94509

051 303 002
Resident
1324 Jasmine Ct
Antioch CA 94509

051 303 003
Resident
1320 Jasmine Ct
Antioch CA 94509

051 303 004
Resident
1318 Jasmine Ct
Antioch CA 94509

051 303 005
Resident
1314 Jasmine Ct
Antioch CA 94509

051 303 006
Resident
1312 Jasmine Ct
Antioch CA 94509

051 303 007
Resident
1308 Jasmine Ct
Antioch CA 94509

051 303 008
Resident
1306 Jasmine Ct
Antioch CA 94509

051 303 009
Resident
1302 Jasmine Ct
Antioch CA 94509

051 303 010
Resident
1300 Jasmine Ct
Antioch CA 94509

051 303 011
Resident
1326 Veronica Ct
Antioch CA 94509

051 303 012
Resident
1324 Veronica Ct
Antioch CA 94509

051 303 013
Resident
1320 Veronica Ct
Antioch CA 94509

051 303 014
Resident
1318 Veronica Ct
Antioch CA 94509

051 303 015
Resident
1314 Veronica Ct
Antioch CA 94509

051 303 016
Resident
1312 Veronica Ct
Antioch CA 94509

051 303 017
Resident
1308 Veronica Ct
Antioch CA 94509

051 303 018
Resident
1306 Veronica Ct
Antioch CA 94509

051 303 019
Resident
1302 Veronica Ct
Antioch CA 94509

051 303 020
Resident
1300 Veronica Ct
Antioch CA 94509

051 303 021
Resident
1301 Trembath Ln
Antioch CA 94509

051 303 022
Resident
1303 Trembath Ln
Antioch CA 94509

051 303 023
Resident
1307 Trembath Ln
Antioch CA 94509

051 303 024
Resident
1309 Trembath Ln
Antioch CA 94509

051 303 025
Resident
1313 Trembath Ln
Antioch CA 94509

051 303 026
Resident
1315 Trembath Ln
Antioch CA 94509

051 341 001
Resident
2113 Willow Ave
Antioch CA 94509

051 341 002
Resident
2117 Willow Ave
Antioch CA 94509

051 341 003
Resident
2121 Willow Ave
Antioch CA 94509

051 341 004
Resident
2125 Willow Ave
Antioch CA 94509

051 341 005
Resident
2129 Willow Ave
Antioch CA 94509

051 341 006
Resident
2133 Willow Ave
Antioch CA 94509

051 341 007
Resident
2139 Willow Ave
Antioch CA 94509

051 341 008
Resident
2141 Willow Ave
Antioch CA 94509

051 341 009
Resident
2145 Willow Ave
Antioch CA 94509

051 341 010
Resident
2700 Filbert St
Antioch CA 94509

051 341 011
Resident
2704 Filbert St
Antioch CA 94509

051 341 012
Resident
2708 Filbert St
Antioch CA 94509

051 341 013
Resident
2712 Filbert St
Antioch CA 94509

051 341 014
Resident
2716 Filbert St
Antioch CA 94509

051 341 015
Resident
2720 Filbert St
Antioch CA 94509

051 341 016
Resident
2724 Filbert St
Antioch CA 94509

051 341 017
Resident
2728 Filbert St
Antioch CA 94509

051 342 001
Resident
2201 Willow Ave
Antioch CA 94509

051 342 002
Resident
2205 Willow Ave
Antioch CA 94509

051 342 003
Resident
2209 Willow Ave
Antioch CA 94509

051 342 004
Resident
2213 Willow Ave
Antioch CA 94509

051 342 005
Resident
2217 Willow Ave
Antioch CA 94509

051 342 006
Resident
2221 Willow Ave
Antioch CA 94509

051 342 007
Resident
2225 Willow Ave
Antioch CA 94509

051 342 008
Resident
2229 Willow Ave
Antioch CA 94509

051 342 009
Resident
2800 Filbert St
Antioch CA 94509

051 342 010
Resident
2800 Pistachio Ct
Antioch CA 94509

051 342 011
Resident
2804 Pistachio Ct
Antioch CA 94509

051 342 012
Resident
2808 Pistachio Ct
Antioch CA 94509

051 342 013
Resident
2812 Pistachio Ct
Antioch CA 94509

051 342 014
Resident
2816 Pistachio Ct
Antioch CA 94509

051 342 015
Resident
2820 Pistachio Ct
Antioch CA 94509

051 342 016
Resident
2824 Pistachio Ct
Antioch CA 94509

051 342 017
Resident
2828 Pistachio Ct
Antioch CA 94509

051 342 018
Resident
2820 Filbert St
Antioch CA 94509

051 342 019
Resident
2824 Filbert St
Antioch CA 94509

051 342 020
Resident
2828 Filbert St
Antioch CA 94509

051 342 021
Resident
2832 Filbert St
Antioch CA 94509

051 342 022
Resident
2836 Filbert St
Antioch CA 94509

051 342 023
Resident
2900 Honeynut St
Antioch CA 94509

051 342 024
Resident
2904 Honeynut St
Antioch CA 94509

051 343 001
Resident
2833 Filbert St
Antioch CA 94509

051 343 002
Resident
2825 Filbert St
Antioch CA 94509

051 343 003
Resident
2819 Filbert St
Antioch CA 94509

051 343 004
Resident
2813 Filbert St
Antioch CA 94509

051 343 005
Resident
2807 Filbert St
Antioch CA 94509

051 343 006
Resident
2801 Filbert St
Antioch CA 94509

051 343 007
Resident
2729 Filbert St
Antioch CA 94509

051 343 008
Resident
2725 Filbert St
Antioch CA 94509

051 343 009
Resident
2721 Filbert St
Antioch CA 94509

051 343 010
Resident
2700 Carob Ct
Antioch CA 94509

051 343 011
Resident
2704 Carob Ct
Antioch CA 94509

051 343 012
Resident
2708 Carob Ct
Antioch CA 94509

051 343 013
Resident
2712 Carob Ct
Antioch CA 94509

051 343 014
Resident
2716 Carob Ct
Antioch CA 94509

051 343 015
Resident
2720 Carob Ct
Antioch CA 94509

051 343 016
Resident
2724 Carob Ct
Antioch CA 94509

051 343 017
Resident
2728 Carob Ct
Antioch CA 94509

051 343 018
Resident
2732 Carob Ct
Antioch CA 94509

051 343 019
Resident
2736 Carob Ct
Antioch CA 94509

051 343 020
Resident
2740 Carob Ct
Antioch CA 94509

051 343 021
Resident
2800 Carob St
Antioch CA 94509

051 343 022
Resident
2806 Carob St
Antioch CA 94509

051 343 023
Resident
2816 Carob St
Antioch CA 94509

051 343 024
Resident
2820 Carob St
Antioch CA 94509

051 343 025
Resident
2824 Carob St
Antioch CA 94509

051 343 026
Resident
2901 Filbert St
Antioch CA 94509

051 343 027
Resident
2843 Filbert St
Antioch CA 94509

051 343 028
Resident
2839 Filbert St
Antioch CA 94509

051 344 001
Resident
2707 Carob St
Antioch CA 94509

051 344 002
Resident
2701 Carob St
Antioch CA 94509

051 344 003
Resident
2700 Almondridge Dr
Antioch CA 94509

051 344 004
Resident
2704 Almondridge Dr
Antioch CA 94509

051 344 005
Resident
2708 Almondridge Dr
Antioch CA 94509

051 344 006
Resident
2712 Almondridge Dr
Antioch CA 94509

051 344 007
Resident
2716 Almondridge Dr
Antioch CA 94509

051 344 008
Resident
2720 Almondridge Dr
Antioch CA 94509

051 344 009
Resident
2724 Almondridge Dr
Antioch CA 94509

051 344 010
Resident
2728 Almondridge Dr
Antioch CA 94509

051 344 011
Resident
2813 Cashew St
Antioch CA 94509

051 344 012
Resident
2809 Cashew St
Antioch CA 94509

051 344 013
Resident
2805 Cashew St
Antioch CA 94509

051 344 014
Resident
2801 Cashew St
Antioch CA 94509

051 344 015
Resident
2723 Carob St
Antioch CA 94509

051 344 016
Resident
2719 Carob St
Antioch CA 94509

051 344 017
Resident
2715 Carob St
Antioch CA 94509

051 344 018
Resident
2711 Carob St
Antioch CA 94509

051 345 001
Resident
2900 Filbert St
Antioch CA 94509

051 345 002
Resident
2904 Filbert St
Antioch CA 94509

051 345 003
Resident
2908 Filbert St
Antioch CA 94509

051 345 004
Resident
2912 Filbert St
Antioch CA 94509

051 345 005
Resident
2918 Filbert St
Antioch CA 94509

051 346 001
Resident
2921 Filbert St
Antioch CA 94509

051 346 002
Resident
2825 Carob St
Antioch CA 94509

051 346 003
Resident
2821 Carob St
Antioch CA 94509

051 346 004
Resident
2817 Carob St
Antioch CA 94509

051 346 005
Resident
2813 Carob St
Antioch CA 94509

051 346 006
Resident
2809 Carob St
Antioch CA 94509

051 346 007
Resident
2805 Carob St
Antioch CA 94509

051 346 008
Resident
2801 Carob St
Antioch CA 94509

051 351 001
Resident
2732 Almondridge Dr
Antioch CA 94509

051 351 002
Resident
2800 Almondridge Dr
Antioch CA 94509

051 351 003
Resident
2804 Almondridge Dr
Antioch CA 94509

051 351 004
Resident
2808 Almondridge Dr
Antioch CA 94509

051 351 005
Resident
2812 Almondridge Dr
Antioch CA 94509

051 351 006
Resident
2816 Almondridge Dr
Antioch CA 94509

051 351 007
Resident
2820 Almondridge Dr
Antioch CA 94509

051 351 008
Resident
2824 Almondridge Dr
Antioch CA 94509

051 351 009
Resident
2900 Almondridge Dr
Antioch CA 94509

051 351 010
Resident
2904 Almondridge Dr
Antioch CA 94509

051 351 011
Resident
2908 Almondridge Dr
Antioch CA 94509

051 351 012
Resident
2912 Almondridge Dr
Antioch CA 94509

051 351 013
Resident
2916 Almondridge Dr
Antioch CA 94509

051 351 014
Resident
2920 Almondridge Dr
Antioch CA 94509

051 351 015
Resident
2933 Cashew St
Antioch CA 94509

051 351 016
Resident
2927 Cashew St
Antioch CA 94509

051 351 017
Resident
2921 Cashew St
Antioch CA 94509

051 351 018
Resident
2915 Cashew St
Antioch CA 94509

051 351 019
Resident
2909 Cashew St
Antioch CA 94509

051 351 020
Resident
2905 Cashew St
Antioch CA 94509

051 351 021
Resident
2901 Cashew St
Antioch CA 94509

051 351 022
Resident
2851 Cashew St
Antioch CA 94509

051 351 023
Resident
2845 Cashew St
Antioch CA 94509

051 351 024
Resident
2841 Cashew St
Antioch CA 94509

051 351 025
Resident
2837 Cashew St
Antioch CA 94509

051 351 026
Resident
2833 Cashew St
Antioch CA 94509

051 351 027
Resident
2829 Cashew St
Antioch CA 94509

051 351 028
Resident
2825 Cashew St
Antioch CA 94509

051 351 029
Resident
2821 Cashew St
Antioch CA 94509

051 351 030
Resident
2817 Cashew St
Antioch CA 94509

051 352 001
Resident
2824 Cashew St
Antioch CA 94509

051 352 002
Resident
2840 Cashew St
Antioch CA 94509

051 352 003
Resident
2844 Cashew St
Antioch CA 94509

051 352 004
Resident
2848 Cashew St
Antioch CA 94509

051 352 005
Resident
2852 Cashew St
Antioch CA 94509

051 352 006
Resident
2900 Cashew St
Antioch CA 94509

051 352 007
Resident
2904 Cashew St
Antioch CA 94509

051 352 008
Resident
2908 Cashew St
Antioch CA 94509

051 352 009
Resident
2912 Cashew St
Antioch CA 94509

051 352 010
Resident
2916 Cashew St
Antioch CA 94509

051 352 011
Resident
3000 Beechnut St
Antioch CA 94509

051 352 012
Resident
3004 Beechnut St
Antioch CA 94509

051 352 013
Resident
3008 Beechnut St
Antioch CA 94509

051 352 014
Resident
3012 Chickpea Ct
Antioch CA 94509

051 352 015
Resident
3014 Chickpea Ct
Antioch CA 94509

051 352 016
Resident
3016 Chickpea Ct
Antioch CA 94509

051 352 017
Resident
3018 Chickpea Ct
Antioch CA 94509

051 352 018
Resident
3020 Chickpea Ct
Antioch CA 94509

051 352 019
Resident
3022 Chickpea Ct
Antioch CA 94509

051 361 001
Resident
3023 Filbert St
Antioch CA 94509

051 361 002
Resident
3019 Filbert St
Antioch CA 94509

051 361 003
Resident
3015 Filbert St
Antioch CA 94509

051 361 004
Resident
3007 Filbert St
Antioch CA 94509

051 361 005
Resident
3001 Filbert St
Antioch CA 94509

051 361 006
Resident
2961 Filbert St
Antioch CA 94509

051 361 007
Resident
2959 Filbert St
Antioch CA 94509

051 361 008
Resident
2955 Filbert St
Antioch CA 94509

051 361 009
Resident
2951 Filbert St
Antioch CA 94509

051 361 010
Resident
2947 Filbert St
Antioch CA 94509

051 361 011
Resident
2943 Filbert St
Antioch CA 94509

051 361 012
Resident
2939 Filbert St
Antioch CA 94509

051 361 013
Resident
2935 Filbert St
Antioch CA 94509

051 361 014
Resident
2931 Filbert St
Antioch CA 94509

051 361 015
Resident
2925 Filbert St
Antioch CA 94509

051 362 001
Resident
2924 Filbert St
Antioch CA 94509

051 362 002
Resident
2930 Filbert St
Antioch CA 94509

051 362 003
Resident
2936 Filbert St
Antioch CA 94509

051 362 004
Resident
2942 Filbert St
Antioch CA 94509

051 362 005
Resident
2948 Filbert St
Antioch CA 94509

051 362 006
Resident
2952 Filbert St
Antioch CA 94509

051 362 007
Resident
2956 Filbert St
Antioch CA 94509

051 362 008
Resident
2960 Filbert St
Antioch CA 94509

051 362 009
Resident
3000 Filbert St
Antioch CA 94509

051 362 010
Resident
3004 Filbert St
Antioch CA 94509

051 362 011
Resident
3008 Filbert St
Antioch CA 94509

051 362 012
Resident
3012 Filbert St
Antioch CA 94509

051 362 013
Resident
3016 Filbert St
Antioch CA 94509

051 362 014
Resident
3020 Filbert St
Antioch CA 94509

051 362 015
Resident
3024 Beechnut Ct
Antioch CA 94509

051 362 016
Resident
3026 Beechnut Ct
Antioch CA 94509

051 362 017
Resident
3028 Beechnut Ct
Antioch CA 94509

051 362 018
Resident
3030 Beechnut Ct
Antioch CA 94509

051 362 019
Resident
3032 Beechnut Ct
Antioch CA 94509

051 362 020
Resident
2951 Honeynut St
Antioch CA 94509

051 362 021
Resident
2945 Honeynut St
Antioch CA 94509

051 362 022
Resident
2941 Honeynut St
Antioch CA 94509

051 362 023
Resident
2937 Honeynut St
Antioch CA 94509

051 362 024
Resident
2933 Honeynut St
Antioch CA 94509

051 362 025
Resident
2929 Honeynut St
Antioch CA 94509

051 362 026
Resident
2925 Honeynut St
Antioch CA 94509

051 362 027
Resident
2921 Honeynut St
Antioch CA 94509

051 362 028
Resident
2917 Honeynut St
Antioch CA 94509

051 363 001
Resident
2908 Honeynut St
Antioch CA 94509

051 363 002
Resident
2912 Honeynut St
Antioch CA 94509

051 363 003
Resident
2916 Honeynut St
Antioch CA 94509

051 363 004
Resident
2920 Honeynut St
Antioch CA 94509

051 363 005
Resident
2924 Honeynut St
Antioch CA 94509

051 363 006
Resident
2940 Honeynut St
Antioch CA 94509

051 370 001
Resident
3101 Almondridge Dr
Antioch CA 94509

051 370 002
Resident
3105 Almondridge Dr
Antioch CA 94509

051 370 003
Resident
3109 Almondridge Dr
Antioch CA 94509

051 370 004
Resident
3113 Almondridge Dr
Antioch CA 94509

051 370 005
Resident
3117 Almondridge Dr
Antioch CA 94509

051 370 006
Resident
3121 Almondridge Dr
Antioch CA 94509

051 370 007
Resident
3125 Almondridge Dr
Antioch CA 94509

051 370 008
Resident
3129 Almondridge Dr
Antioch CA 94509

051 370 009
Resident
3133 Almondridge Dr
Antioch CA 94509

051 370 010
Resident
3137 Almondridge Dr
Antioch CA 94509

051 370 011
Resident
3109 Almond Tree Ct
Antioch CA 94509

051 370 012
Resident
3113 Almond Tree Ct
Antioch CA 94509

051 370 013
Resident
3117 Almond Tree Ct
Antioch CA 94509

051 370 014
Resident
3121 Almond Tree Ct
Antioch CA 94509

051 370 015
Resident
3000 Butternut St
Antioch CA 94509

051 370 016
Resident
3004 Butternut St
Antioch CA 94509

051 370 017
Resident
3010 Butternut St
Antioch CA 94509

051 370 018
Resident
3016 Butternut St
Antioch CA 94509

051 370 019
Resident
3000 Coconut Ct
Antioch CA 94509

051 370 020
Resident
3004 Coconut Ct
Antioch CA 94509

051 370 021
Resident
3008 Coconut Ct
Antioch CA 94509

051 370 022
Resident
3012 Coconut Ct
Antioch CA 94509

051 370 023
Resident
3016 Coconut Ct
Antioch CA 94509

051 370 024
Resident
3020 Coconut Ct
Antioch CA 94509

051 370 025
Resident
3024 Coconut Ct
Antioch CA 94509

051 370 026
Resident
3109 Filbert St
Antioch CA 94509

051 370 027
Resident
3105 Filbert St
Antioch CA 94509

051 370 028
Resident
3101 Filbert St
Antioch CA 94509

051 370 029
Resident
3100 Filbert St
Antioch CA 94509

051 370 030
Resident
3104 Filbert St
Antioch CA 94509

051 370 031
Resident
3108 Filbert St
Antioch CA 94509

051 370 032
Resident
3112 Filbert St
Antioch CA 94509

051 370 033
Resident
3116 Filbert St
Antioch CA 94509

051 370 034
Resident
3120 Filbert St
Antioch CA 94509

051 370 035
Resident
3124 Filbert St
Antioch CA 94509

051 370 036
Resident
3049 Butternut St
Antioch CA 94509

051 370 037
Resident
3045 Butternut St
Antioch CA 94509

051 370 038
Resident
3041 Butternut St
Antioch CA 94509

051 370 039
Resident
3037 Butternut St
Antioch CA 94509

051 370 040
Resident
3033 Butternut St
Antioch CA 94509

051 370 041
Resident
3029 Butternut St
Antioch CA 94509

051 370 042
Resident
3025 Butternut St
Antioch CA 94509

051 370 043
Resident
3021 Butternut St
Antioch CA 94509

051 370 044
Resident
3017 Butternut St
Antioch CA 94509

051 370 045
Resident
3013 Butternut St
Antioch CA 94509

051 370 046
Resident
3009 Butternut St
Antioch CA 94509

051 370 047
Resident
3005 Butternut St
Antioch CA 94509

051 370 048
Resident
3001 Butternut St
Antioch CA 94509

051 380 001
Resident
2105 Willow Ave
Antioch CA 94509

051 380 002
Resident
2605 Almondridge Dr
Antioch CA 94509

051 380 003
Resident
2610 Filbert St
Antioch CA 94509

051 380 004
Resident
2608 Filbert St
Antioch CA 94509

051 380 005
Resident
2604 Filbert St
Antioch CA 94509

051 380 006
Resident
2600 Filbert St
Antioch CA 94509

051 380 007
Resident
2601 Coffee Tree Ct
Antioch CA 94509

051 380 008
Resident
2605 Coffee Tree Ct
Antioch CA 94509

051 380 009
Resident
2605 Filbert St
Antioch CA 94509

051 380 010
Resident
2609 Filbert St
Antioch CA 94509

051 380 011
Resident
2715 Almondridge Dr
Antioch CA 94509

051 380 012
Resident
2719 Almondridge Dr
Antioch CA 94509

051 380 013
Resident
2723 Almondridge Dr
Antioch CA 94509

051 380 014
Resident
2636 Coffee Tree Way
Antioch CA 94509

051 380 015
Resident
2632 Coffee Tree Way
Antioch CA 94509

051 380 016
Resident
2628 Coffee Tree Way
Antioch CA 94509

051 380 017
Resident
2609 Coffee Tree Ct
Antioch CA 94509

051 380 018
Resident
2613 Coffee Tree Ct
Antioch CA 94509

051 380 019
Resident
2617 Coffee Tree Way
Antioch CA 94509

051 380 020
Resident
2621 Coffee Tree Way
Antioch CA 94509

051 380 021
Resident
2625 Coffee Tree Way
Antioch CA 94509

051 380 022
Resident
2629 Coffee Tree Way
Antioch CA 94509

051 380 023
Resident
2633 Coffee Tree Way
Antioch CA 94509

051 380 024
Resident
2637 Coffee Tree Way
Antioch CA 94509

051 380 025
Resident
2701 Coffee Tree Way
Antioch CA 94509

051 380 026
Resident
2705 Coffee Tree Way
Antioch CA 94509

051 380 027
Resident
2709 Coffee Tree Way
Antioch CA 94509

051 380 028
Resident
2801 Nogal Ct
Antioch CA 94509

051 380 029
Resident
2805 Nogal Ct
Antioch CA 94509

051 380 030
Resident
2809 Nogal Ct
Antioch CA 94509

051 380 031
Resident
2813 Nogal Ct
Antioch CA 94509

051 380 032
Resident
2817 Nogal Ct
Antioch CA 94509

051 380 033
Resident
2821 Nogal Ct
Antioch CA 94509

051 380 034
Resident
2811 Almondridge Dr
Antioch CA 94509

051 380 035
Resident
2815 Almondridge Dr
Antioch CA 94509

051 390 001
Resident
3321 Jessica Ct
Antioch CA 00000

051 390 007
Resident
3341 Oakley Rd
Antioch CA 94509

051 390 008
Resident
3339 Oakley Rd
Antioch CA 94509

051 390 013
Resident
3401 Oakley Rd
Antioch CA 94509

051 390 013
Resident
3401 Oakley Rd
Antioch CA 94509

051 400 001
Resident
2819 Almondridge Dr
Antioch CA 94509

051 400 002
Resident
2034 Sugar Pine St
Antioch CA 94509

051 400 003
Resident
2026 Sugar Pine St
Antioch CA 94509

051 400 004
Resident
2016 Sugar Pine St
Antioch CA 94509

051 400 005
Resident
2012 Sugar Pine St
Antioch CA 94509

051 400 006
Resident
2008 Sugar Pine St
Antioch CA 94509

051 400 007
Resident
2004 Sugar Pine St
Antioch CA 94509

051 400 008
Resident
2000 Sugar Pine St
Antioch CA 94509

051 400 009
Resident
1912 Sugar Pine Ct
Antioch CA 94509

051 400 010
Resident
1908 Sugar Pine Ct
Antioch CA 94509

051 400 011
Resident
1909 Sugar Pine Ct
Antioch CA 94509

051 400 012
Resident
2001 Sugar Pine St
Antioch CA 94509

051 400 013
Resident
2007 Sugar Pine St
Antioch CA 94509

051 400 014
Resident
2015 Sugar Pine St
Antioch CA 94509

051 400 015
Resident
2019 Sugar Pine St
Antioch CA 94509

051 400 016
Resident
2023 Sugar Pine St
Antioch CA 94509

051 400 017
Resident
2027 Sugar Pine St
Antioch CA 94509

051 400 018
Resident
2031 Sugar Pine St
Antioch CA 94509

051 400 019
Resident
2035 Sugar Pine St
Antioch CA 94509

051 400 020
Resident
2937 Cashew Ct
Antioch CA 94509

051 400 021
Resident
2941 Cashew Ct
Antioch CA 94509

051 400 022
Resident
2945 Cashew Ct
Antioch CA 94509

051 400 023
Resident
2949 Cashew Ct
Antioch CA 94509

051 400 024
Resident
2953 Cashew Ct
Antioch CA 94509

051 400 025
Resident
2957 Cashew Ct
Antioch CA 94509

051 400 030
Resident
1905 Sugar Pine Ct
Antioch CA 94509

051 400 031
Resident
1901 Sugar Pine Ct
Antioch CA 94509

051 400 032
Resident
1900 Sugar Pine Ct
Antioch CA 94509

051 400 033
Resident
1904 Sugar Pine Ct
Antioch CA 94509

051 410 001
Resident
1911 Wilson St
Antioch CA 94509

051 410 002
Resident
1915 Wilson St
Antioch CA 94509

051 410 003
Resident
1919 Wilson St
Antioch CA 94509

051 410 004
Resident
1923 Wilson St
Antioch CA 94509

051 410 005
Resident
1927 Wilson St
Antioch CA 94509

051 410 006
Resident
1931 Wilson St
Antioch CA 94509

051 410 007
Resident
1914 Wilson Ct
Antioch CA 94509

051 410 008
Resident
1912 Wilson Ct
Antioch CA 94509

051 410 009
Resident
1910 Wilson Ct
Antioch CA 94509

051 410 010
Resident
1908 Wilson Ct
Antioch CA 94509

051 410 011
Resident
1906 Wilson Ct
Antioch CA 94509

051 410 012
Resident
1904 Wilson Ct
Antioch CA 94509

051 410 013
Resident
1902 Wilson Ct
Antioch CA 94509

051 410 014
Resident
1900 Wilson Ct
Antioch CA 94509

051 410 015
Resident
1901 Wilson Ct
Antioch CA 94509

051 410 016
Resident
1903 Wilson Ct
Antioch CA 94509

051 410 017
Resident
1905 Wilson Ct
Antioch CA 94509

051 410 018
Resident
1907 Wilson Ct
Antioch CA 94509

051 410 019
Resident
1909 Wilson Ct
Antioch CA 94509

051 410 020
Resident
1911 Wilson Ct
Antioch CA 94509

051 410 021
Resident
1913 Wilson Ct
Antioch CA 94509

051 410 022
Resident
1915 Wilson Ct
Antioch CA 94509

051 410 023
Resident
3001 Almondridge Dr
Antioch CA 94509

051 410 024
Resident
3005 Almondridge Dr
Antioch CA 94509

051 420 001
Resident
1725 Bermuda Way
Antioch CA 94509

051 420 002
Resident
1729 Bermuda Way
Antioch CA 94509

051 420 003
Resident
1724 Bermuda Way
Antioch CA 94509

051 420 004
Resident
1728 Bermuda Way
Antioch CA 94509

051 420 005
Resident
1732 Bermuda Way
Antioch CA 94509

051 420 006
Resident
1736 Bermuda Way
Antioch CA 94509

051 420 007
Resident
1745 Bermuda Way
Antioch CA 94509

051 420 008
Resident
1741 Bermuda Way
Antioch CA 94509

051 420 009
Resident
1740 Bermuda Way
Antioch CA 94509

051 420 010
Resident
1744 Bermuda Way
Antioch CA 94509

051 420 011
Resident
1820 E 18th St
Antioch CA 94509

051 420 012
Resident
1860 E 18th St
Antioch CA 94509