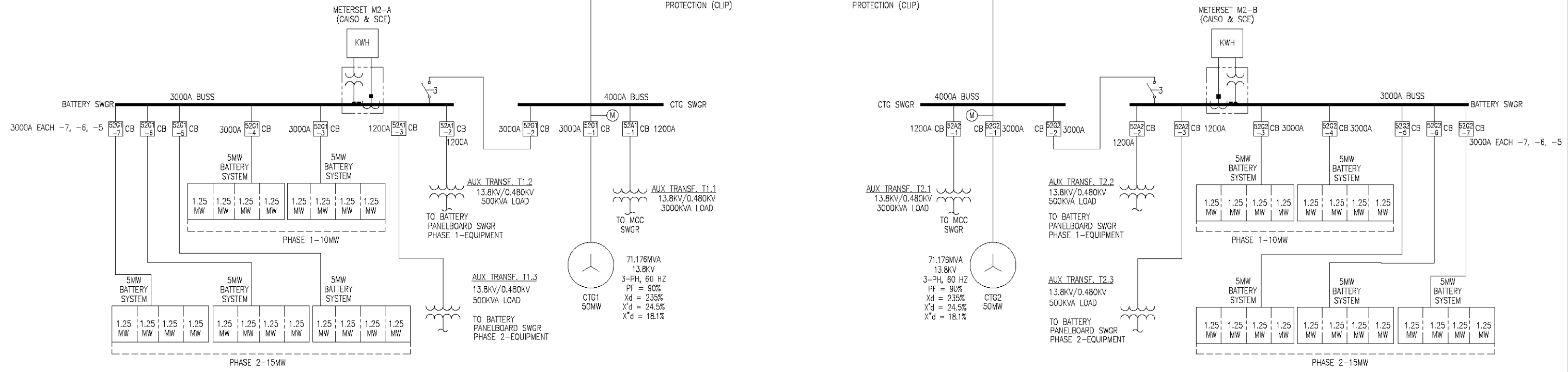
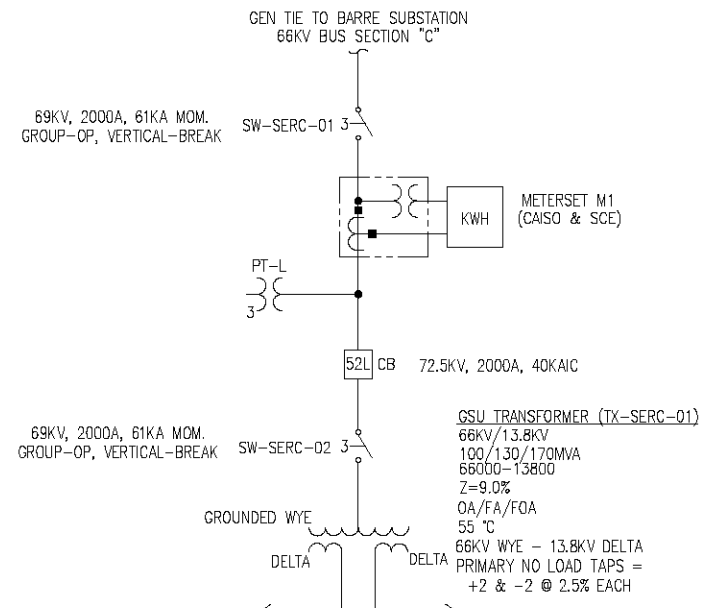


## DOCKETED

<b>Docket Number:</b>	16-AFC-01
<b>Project Title:</b>	Stanton Energy Reliability Center
<b>TN #:</b>	215165
<b>Document Title:</b>	Attachment DA3.0-1 One-Line Diagram, searchable .pdf
<b>Description:</b>	Attachment DA3.0-1 One-Line Diagram, searchable .pdf
<b>Filer:</b>	M. Finn
<b>Organization:</b>	CH2M
<b>Submitter Role:</b>	Applicant Consultant
<b>Submission Date:</b>	1/5/2017 2:12:28 PM
<b>Docketed Date:</b>	1/5/2017



NOTES:	REV	DATE	DESCRIPTION	DRAWN	REV	DATE	DESCRIPTION	DRAWN	<b>Stanton Energy Reliability Center, LLC</b> 650 Berout Dr, Suite A - Sacramento, CA 95811 Phone: 916-492-9486 Fax: 916-880-5318	DRAWING TITLE				
										STANTON ENERGY RELIABILITY CENTER ONE-LINE OVERVIEW				
									DRAWN	DATE	SIZE	FSCM NO.	DWG NO.	REV
									BOSSERMAN, J				SERC-E-001	
									ENG. APPROVAL	DATE	SCALE	PROJECT	SHEET	
									CUMMINS, P		NONE	SERC EGT	1/1	