

DOCKETED	
Docket Number:	25-OPT-02
Project Title:	Prairie Song Reliability Project
TN #:	265695
Document Title:	Large Generator Interconnection Agreement
Description:	N/A
Filer:	Erin Phillips
Organization:	Dudek
Submitter Role:	Applicant Consultant
Submission Date:	8/19/2025 2:34:18 PM
Docketed Date:	8/19/2025



X

Southern California Edison Company
Tariff Title: Transmission Owner Tariff
Tariff Record Title: Service Agreement No. XXX

FILED
Title Page
FERC FPA Electric Tariff
07/01/24
~~04:59 PM~~
R2305018

**LARGE GENERATOR INTERCONNECTION AGREEMENT
AMONG**

**16DO 8ME LLC
AND**

**SOUTHERN CALIFORNIA EDISON COMPANY
AND**

CALIFORNIA INDEPENDENT SYSTEM OPERATOR CORPORATION

PROJECT: Angeleno Solar Farm - TOT903 (Q1625)

Contract Effective Date: xx/xx/xx
906.xxx.0
TOT903

Tariff Record Proposed Effective Date: xx/xx/xx
Version Number: 0.0.0
Option Code: A



TABLE OF CONTENTS

LARGE GENERATOR INTERCONNECTION AGREEMENT 8

ARTICLE 1. DEFINITIONS 9

ARTICLE 2. EFFECTIVE DATE, TERM AND TERMINATION..... 21

 2.1 Effective Date..... 21

 2.2 Term of Agreement..... 21

 2.3 Termination Procedures..... 21

 2.3.1 Written Notice..... 21

 2.3.2 Default..... 21

 2.3.3 Suspension of Work..... 21

 2.3.4..... 21

 2.4 Termination Costs 21

 2.4.1..... 22

 2.4.2..... 23

 2.4.3..... 23

 2.5 Disconnection..... 23

 2.6 Survival..... 23

ARTICLE 3. REGULATORY FILINGS AND CAISO TARIFF COMPLIANCE..... 23

 3.1 Filing..... 23

 3.2 Agreement Subject to CAISO Tariff..... 24

 3.3 Relationship Between this LGIA and the CAISO Tariff..... 24

 3.4 Relationship Between this LGIA and the Net Scheduled PGA..... 24

ARTICLE 4. SCOPE OF SERVICE 24

 4.1 Interconnection Service..... 24

 4.2 Provision of Service..... 25

 4.3 Performance Standards..... 25

 4.4 No Transmission Service..... 25

 4.5 Interconnection Customer Provided Services..... 25

 4.6 TP Deliverability..... 25

ARTICLE 5. INTERCONNECTION FACILITIES ENGINEERING, PROCUREMENT,
AND CONSTRUCTION..... 25

 5.1 Options..... 25

 5.1.1 Standard Option..... 26

 5.1.2 Alternate Option..... 26

 5.1.3 Option to Build..... 27

 5.1.4 Negotiated Option..... 27

 5.1.5 Merchant Option..... 27

 5.2 General Conditions Applicable to Option to Build..... 27

 5.3 Liquidated Damages..... 30

 5.4 Power System Stabilizers..... 31

 5.5 Equipment Procurement..... 31

 5.5.1..... 31

 5.5.2..... 31

 5.5.3..... 31

 5.6 Construction Commencement..... 31



5.6.1 32

5.6.2 32

5.6.3 32

5.6.4 32

5.7 Work Progress 32

5.8 Information Exchange 32

5.9 Limited Operation 32

5.10 Interconnection Customer's Interconnection Facilities 33

 5.10.1 Large Generating Facility and Interconnection Customer's
Interconnection Facilities Specifications 33

 5.10.2 Participating TO's and CAISO's Review 33

 5.10.3 Interconnection Customer's Interconnection Facilities Construction 33

 5.10.4 Interconnection Customer to Meet Requirements of the Participating TO's
Interconnection Handbook 34

5.11 Participating TO's Interconnection Facilities Construction 34

5.12 Access Rights 34

5.13 Lands of Other Property Owners 35

5.14 Permits 35

5.15 Early Construction of Base Case Facilities 35

5.16 Suspension 35

5.17 Taxes 37

 5.17.1 Interconnection Customer Payments Not Taxable 37

 5.17.2 Representations And Covenants 37

 5.17.3 Indemnification for the Cost Consequence of Current Tax Liability
Imposed Upon the Participating TO 38

 5.17.4 Tax Gross-Up Amount 39

 5.17.5 Private Letter Ruling or Change or Clarification of Law 39

 5.17.6 Subsequent Taxable Events 40

 5.17.7 Contests 40

 5.17.8 Refund 41

 5.17.9 Taxes Other Than Income Taxes 42

5.18 Tax Status 43

5.19 Modification 43

 5.19.1 General 43

 5.19.2 Standards 44

 5.19.3 Modification Costs 44

5.20 Annual Reassessment Process 44

ARTICLE 6. TESTING AND INSPECTION 44

 6.1 Pre-Commercial Operation Date Testing and Modifications 44

 6.2 Post-Commercial Operation Date Testing and Modifications 45

 6.3 Right to Observe Testing 45

 6.4 Right to Inspect 45

ARTICLE 7. METERING 45

 7.1 General 45

 7.2 Check Meters 46

 7.3 Participating TO Retail Metering 46



ARTICLE 8. COMMUNICATIONS 46

- 8.1 Interconnection Customer Obligations. 46
- 8.2 Remote Terminal Unit. 47
- 8.3 No Annexation..... 47
- 8.4 Provision of Data from a Variable Energy Resource. 47

ARTICLE 9. OPERATIONS..... 48

- 9.1 General. 48
- 9.2 Balancing Authority Area Notification. 48
- 9.3 CAISO and Participating TO Obligations. 48
- 9.4 Interconnection Customer Obligations. 49
- 9.5 Start-Up and Synchronization. 49
- 9.6 Reactive Power and Primary Frequency Response..... 49
 - 9.6.1 Power Factor Design Criteria..... 49
 - 9.6.2 Voltage Schedules..... 50
 - 9.6.2.1 Voltage Regulators..... 51
 - 9.6.3 Payment for Reactive Power. 51
 - 9.6.4 Primary Frequency Response 51
 - 9.6.4.1 Governor or Equivalent Controls 52
 - 9.6.4.2 Timely and Sustained Response..... 53
 - 9.6.4.3 Exemptions 53
 - 9.6.4.4 Electric Storage Resources..... 54
- 9.7 Outages and Interruptions..... 55
 - 9.7.1 Outages. 55
 - 9.7.1.1 Outage Authority and Coordination. 55
 - 9.7.1.2 Outage Schedules..... 55
 - 9.7.1.3 Outage Restoration..... 55
 - 9.7.2 Interruption of Service..... 56
 - 9.7.2.1 56
 - 9.7.2.2 56
 - 9.7.2.4 56
 - 9.7.2.5 56
 - 9.7.3 Under-Frequency and Over Frequency Conditions. 57
 - 9.7.4 System Protection and Other Control Requirements..... 57
 - 9.7.4.1 System Protection Facilities. 57
 - 9.7.4.2 57
 - 9.7.4.3 57
 - 9.7.4.4 58
 - 9.7.4.5 58
 - 9.7.4.6 58
 - 9.7.5 Requirements for Protection..... 58
 - 9.7.6 Power Quality. 59
- 9.8 Switching and Tagging Rules..... 59
- 9.9 Use of Interconnection Facilities by Third Parties. 59
 - 9.9.1 Purpose of Interconnection Facilities..... 59
 - 9.9.2 Third Party Users..... 59
- 9.10 Disturbance Analysis Data Exchange..... 60



ARTICLE 10. MAINTENANCE 60

 10.1 Participating TO Obligations. 60

 10.2 Interconnection Customer Obligations. 60

 10.3 Coordination. 60

 10.4 Secondary Systems. 60

 10.5 Operating and Maintenance Expenses. 60

ARTICLE 11. PERFORMANCE OBLIGATION 61

 11.1 Interconnection Customer’s Interconnection Facilities. 61

 11.2 Participating TO’s Interconnection Facilities. 61

 11.3 Network Upgrades and Distribution Upgrades. 61

 11.4 Transmission Credits. 61

 11.4.1 Repayment of Amounts Advanced for Network Upgrades. 62

 11.4.1.1 Repayment of Amounts Advanced Regarding Non-Phased Generating
Facilities 62

 11.4.1.2 Repayment of Amounts Advanced Regarding Phased Generating
Facilities 64

 11.4.1.3 Interest Payments and Assignment Rights 66

 11.4.1.4 Failure to Achieve Commercial Operation..... 66

 11.4.2 Special Provisions for Affected Systems. 67

 11.4.3 67

 11.5 Provision of Interconnection Financial Security. 67

 11.5.1 67

 11.6 Interconnection Customer Compensation 68

 11.6.1 Interconnection Customer Compensation for Actions During Emergency
Condition 68

ARTICLE 12. INVOICE 68

 12.1 General. 68

 12.2 Final Invoice. 68

 12.3 Payment. 69

 12.4 Disputes. 69

ARTICLE 13. EMERGENCIES 70

 13.1 [Reserved] 70

 13.2 Obligations. 70

 13.3 Notice. 70

 13.4 Immediate Action. 70

 13.5 CAISO and Participating TO Authority. 70

 13.5.1 General. 70

 13.5.2 Reduction and Disconnection. 71

 13.6 Interconnection Customer Authority 71

 13.7 Limited Liability. 72

ARTICLE 14. REGULATORY REQUIREMENTS AND GOVERNING LAWS 72

 14.1 Regulatory Requirements. 72

 14.2 Governing Law. 72

 14.2.1 72

 14.2.2 72

 14.2.3 72



ARTICLE 15. NOTICES	72
15.1 General.....	72
15.2 Billings and Payments.....	73
15.3 Alternative Forms of Notice.....	73
15.4 Operations and Maintenance Notice.....	73
ARTICLE 16. FORCE MAJEURE	73
16.1 Force Majeure.....	73
16.1.1.....	73
16.1.2.....	73
ARTICLE 17. DEFAULT	73
17.1 Default.....	73
17.1.1 General.....	73
17.1.2 Right to Terminate.....	74
ARTICLE 18. INDEMNITY, CONSEQUENTIAL DAMAGES, AND INSURANCE	74
18.1 Indemnity.....	74
18.1.1 Indemnified Party.....	74
18.1.2 Indemnifying Party.....	74
18.1.3 Indemnity Procedures.....	74
18.2 Consequential Damages.....	75
18.3 Insurance.....	75
18.3.1.....	76
18.3.2.....	76
18.3.3.....	77
18.3.4.....	77
18.3.5.....	77
18.3.6.....	78
18.3.7.....	78
18.3.8 [Not Used.].....	78
18.3.9.....	78
18.3.10.....	78
18.3.11.....	79
ARTICLE 19. ASSIGNMENT	79
19.1 Assignment.....	79
ARTICLE 20. SEVERABILITY.....	79
20.1 Severability.....	79
ARTICLE 21. COMPARABILITY	80
21.1 Comparability.....	80
ARTICLE 22. CONFIDENTIALITY	80
22.1 Confidentiality.....	80
22.1.1 Term.....	80
22.1.2 Scope.....	80
22.1.3 Release of Confidential Information.....	81
22.1.4 Rights.....	81
22.1.5 No Warranties.....	81
22.1.6 Standard of Care.....	81
22.1.7 Order of Disclosure.....	82



22.1.8	Termination of Agreement.....	82
22.1.9	Remedies.....	82
22.1.10	Disclosure to FERC, its Staff, or a State.....	82
22.1.11	83
ARTICLE 23.	ENVIRONMENTAL RELEASES	83
23.1	83
ARTICLE 24.	INFORMATION REQUIREMENTS	84
24.1	Information Acquisition.....	84
24.2	Information Submission by Participating TO	84
24.3	Updated Information Submission by Interconnection Customer	84
24.4	Information Supplementation	85
ARTICLE 25.	INFORMATION ACCESS AND AUDIT RIGHTS.....	85
25.1	Information Access.....	85
25.2	Reporting of Non-Force Majeure Events.....	86
25.3	Audit Rights.....	86
25.3.1	86
25.3.2	86
25.4	Audit Rights Periods.....	86
25.4.1	Audit Rights Period for Construction-Related Accounts and Records... ..	86
25.4.2	Audit Rights Period for All Other Accounts and Records.....	87
25.5	Audit Results.....	87
25.5.1	87
ARTICLE 26.	SUBCONTRACTORS	87
26.1	General.....	87
26.2	Responsibility of Principal.....	88
26.3	No Limitation by Insurance.....	88
ARTICLE 27.	DISPUTES	88
27.1	Submission.....	88
27.2	External Arbitration Procedures.....	88
27.3	Arbitration Decisions.....	89
27.4	Costs.....	89
ARTICLE 28.	REPRESENTATIONS, WARRANTIES AND COVENANTS	89
28.1	General.....	89
28.1.1	Good Standing.....	89
28.1.2	Authority.....	90
28.1.3	No Conflict.....	90
28.1.4	Consent and Approval.....	90
ARTICLE 29.	[RESERVED]	90
ARTICLE 30.	MISCELLANEOUS.....	90
30.1	Binding Effect.....	90
30.2	Conflicts.....	90
30.3	Rules of Interpretation.....	90
30.4	Entire Agreement.....	91
30.5	No Third Party Beneficiaries.....	91
30.6	Waiver.....	91
30.7	Headings.....	91



30.8	Multiple Counterparts.....	92
30.9	Amendment.....	92
30.10	Modification by the Parties.....	92
30.11	Reservation of Rights.....	92
30.12	No Partnership.....	93
30.13	Joint and Several Obligations.....	93
APPENDIX A INTERCONNECTION FACILITIES, NETWORK UPGRADES AND DISTRIBUTION UPGRADES.....		96
APPENDIX B MILESTONES.....		112
APPENDIX C INTERCONNECTION DETAILS.....		118
APPENDIX D SECURITY ARRANGEMENTS DETAILS.....		126
APPENDIX E COMMERCIAL OPERATION DATE.....		127
APPENDIX F ADDRESSES FOR DELIVERY OF NOTICES AND BILLINGS.....		128
APPENDIX G INTERCONNECTION CUSTOMER'S SHARE OF COSTS OF NETWORK UPGRADES FOR APPLICABLE PROJECT GROUP.....		131
APPENDIX H INTERCONNECTION REQUIREMENTS FOR AN ASYNCHRONOUS GENERATING FACILITY.....		132



LARGE GENERATOR INTERCONNECTION AGREEMENT

16DO 8me LLC

SOUTHERN CALIFORNIA EDISON COMPANY

CALIFORNIA INDEPENDENT SYSTEM OPERATOR CORPORATION

THIS LARGE GENERATOR INTERCONNECTION AGREEMENT ("LGIA") is made and entered into this 28th day of January 2022, by and among 16DO 8me LLC, a limited liability company organized and existing under the laws of the State/Commonwealth of Delaware ("Interconnection Customer" with a Large Generating Facility), Southern California Edison Company, a corporation organized and existing under the laws of the State of California ("Participating TO"), and California Independent System Operator Corporation, a California nonprofit public benefit corporation organized and existing under the laws of the State of California ("CAISO"). Interconnection Customer, Participating TO, and CAISO each may be referred to as a "Party" or collectively as the "Parties."

RECITALS

WHEREAS, CAISO exercises Operational Control over the CAISO Controlled Grid; and

WHEREAS, the Participating TO owns, operates, and maintains the Participating TO's Transmission System; and

WHEREAS, Interconnection Customer intends to own, lease and/or control and operate the Generating Facility identified as a Large Generating Facility in Appendix C to this LGIA; and

WHEREAS, Interconnection Customer, Participating TO, and CAISO have agreed to enter into this LGIA for the purpose of interconnecting the Large Generating Facility with the Participating TO's Transmission System;

NOW, THEREFORE, in consideration of and subject to the mutual covenants contained herein, it is agreed:

When used in this LGIA, terms with initial capitalization that are not defined in Article 1 shall have the meanings specified in the Article in which they are used.

ARTICLE 1. DEFINITIONS

ADNU shall mean Area Delivery Network Upgrade.

Adverse System Impact shall mean the negative effects due to technical or operational limits on conductors or equipment being exceeded that may compromise the safety and reliability of the electric system.

Affected System shall mean an electric system other than the CAISO Controlled Grid that may be affected by the proposed interconnection, including the Participating TO's electric system that is not part of the CAISO Controlled Grid.

Affiliate shall mean, with respect to a corporation, partnership or other entity, each such other corporation, partnership or other entity that directly or indirectly, through one or more intermediaries, controls, is controlled by, or is under common control with, such corporation, partnership or other entity.

Applicable Laws and Regulations shall mean all duly promulgated applicable federal, state and local laws, regulations, rules, ordinances, codes, decrees, judgments, directives, or judicial or administrative orders, permits and other duly authorized actions of any Governmental Authority.

Applicable Reliability Council shall mean the Western Electricity Coordinating Council or its successor.

Applicable Reliability Standards shall mean the requirements and guidelines of NERC, the Applicable Reliability Council, and the Balancing Authority Area of the Participating TO's Transmission System to which the Generating Facility is directly connected, including requirements adopted pursuant to Section 215 of the Federal Power Act.

Area Deliverability Constraint shall mean a previously identified transmission system operating limit, based on a CAISO interconnection study or transmission planning study and listed on the CAISO website, that would constrain the deliverability of a substantial number of generators if the CAISO were to assign full capacity or partial capacity deliverability status to additional generating facilities in one or more specified geographic or electrical areas of the CAISO Controlled Grid in a total amount that is greater than the TP Deliverability for those areas. May also be a transmission system operating limit that constrains all or most of the same generation already constrained by a previously identified Area Deliverability Constraint.

Area Delivery Network Upgrade shall mean a transmission upgrade or addition identified by the CAISO to relieve an Area Deliverability Constraint.

Area Off-Peak Constraints shall mean a transmission system operating limit that would cause excessive curtailment to a substantial number of Generating Facilities



during Off-Peak Load conditions, as described in Section 6.3.2.2 of Appendix DD and the CAISO Off-Peak Deliverability Assessment posted on the CAISO Website.

Area Off-Peak Network Upgrades (AOPNUs) shall mean a transmission upgrade or addition the CAISO identifies in the Transmission Planning Process to relieve an Area Off-Peak Constraint.

Assigned Network Upgrade (ANU) shall mean Reliability Network Upgrades, Local Off-Peak Network Upgrades, and Local Delivery Network Upgrades currently assigned to the Interconnection Customer. Assigned Network Upgrades exclude Conditionally Assigned Network Upgrades unless they become Assigned Network Upgrades.

Asynchronous Generating Facility shall mean an induction, doubly-fed, or electronic power generating unit(s) that produces 60 Hz (nominal) alternating current.

Balancing Authority shall mean the responsible entity that integrates resource plans ahead of time, maintains load-interchange-generation balance within a Balancing Authority Area, and supports Interconnection frequency in real time.

Balancing Authority Area shall mean the collection of generation, transmission, and loads within the metered boundaries of the Balancing Authority. The Balancing Authority maintains load-resource balance within this area.

Base Case shall mean the base case power flow, short circuit, and stability databases used for the Interconnection Studies.

Breach shall mean the failure of a Party to perform or observe any material term or condition of this LGIA.

Breaching Party shall mean a Party that is in Breach of this LGIA.

Business Day shall mean Monday through Friday, excluding federal holidays and the day after Thanksgiving Day.

CAISO Controlled Grid shall mean the system of transmission lines and associated facilities of the parties to the Transmission Control Agreement that have been placed under the CAISO's Operational Control.

CAISO Tariff shall mean the CAISO's tariff, as filed with FERC, and as amended or supplemented from time to time, or any successor tariff.

Calendar Day shall mean any day including Saturday, Sunday or a federal holiday.



Commercial Operation shall mean the status of an Electric Generating Unit or project phase at a Generating Facility that has commenced generating electricity for sale, excluding electricity generated during Trial Operation.

Commercial Operation Date of an Electric Generating Unit or project phase shall mean the date on which the Electric Generating Unit or project phase at the Generating Facility commences Commercial Operation as agreed to by the applicable Participating TO, the CAISO, and the Interconnection Customer pursuant to Appendix E to this LGIA, and in accordance with the implementation plan agreed to by the Participating TO and the CAISO for multiple individual Electric Generating Units or project phases at a Generating Facility where an Interconnection Customer intends to establish separate Commercial Operation Dates for those Electric Generating Units or project phases.

Conditionally Assigned Network Upgrade (CANU) shall mean Reliability Network Upgrades, Local Off-Peak Network Upgrades, and Local Delivery Network Upgrades currently assigned to an earlier Interconnection Customer, but which may be assigned to the Interconnection Customer.

Confidential Information shall mean any confidential, proprietary or trade secret information of a plan, specification, pattern, procedure, design, device, list, concept, policy or compilation relating to the present or planned business of a Party, which is designated as confidential by the Party supplying the information, whether conveyed orally, electronically, in writing, through inspection, or otherwise, subject to Article 22.1.2.

Current Cost Responsibility (CCR) shall mean the Interconnection Customer's current allocated costs for Assigned Network Upgrades, not to exceed the Maximum Cost Responsibility. This cost is used to calculate the Interconnection Customer's Interconnection Financial Security requirement.

Deliverability shall mean (1) The annual Net Qualifying Capacity of a Generating Facility, as verified through a Deliverability Assessment and measured in MW, which specifies the amount of resource adequacy capacity the Generating Facility is eligible to provide. (2) The annual Maximum Import Capability of an Intertie which specifies the amount of resource adequacy capacity measured in MW, that load-serving entities collectively can procure from imports at that Intertie to meet their resource adequacy requirements.

Default shall mean the failure of a Breaching Party to cure its Breach in accordance with Article 17 of this LGIA.

Distribution System shall mean those non-CAISO-controlled transmission and distribution facilities owned by the Participating TO.



Distribution Upgrades shall mean the additions, modifications, and upgrades to the Participating TO's Distribution System. Distribution Upgrades do not include Interconnection Facilities.

Effective Date shall mean the date on which this LGIA becomes effective upon execution by all Parties subject to acceptance by FERC, or if filed unexecuted, upon the date specified by FERC.

Electric Generating Unit shall mean an individual electric generator and its associated plant and apparatus whose electrical output is capable of being separately identified and metered.

Emergency Condition shall mean a condition or situation: (1) that in the judgment of the Party making the claim is imminently likely to endanger life or property; or (2) that, in the case of the CAISO, is imminently likely (as determined in a non-discriminatory manner) to cause a material adverse effect on the security of, or damage to, the CAISO Controlled Grid or the electric systems of others to which the CAISO Controlled Grid is directly connected; (3) that, in the case of the Participating TO, is imminently likely (as determined in a non-discriminatory manner) to cause a material adverse effect on the security of, or damage to, the Participating TO's Transmission System, Participating TO's Interconnection Facilities, Distribution System, or the electric systems of others to which the Participating TO's electric system is directly connected; or (4) that, in the case of the Interconnection Customer, is imminently likely (as determined in a non-discriminatory manner) to cause a material adverse effect on the security of, or damage to, the Generating Facility or Interconnection Customer's Interconnection Facilities. System restoration and black start shall be considered Emergency Conditions; provided, that Interconnection Customer is not obligated by this LGIA to possess black start capability.

Environmental Law shall mean Applicable Laws or Regulations relating to pollution or protection of the environment or natural resources.

Federal Power Act shall mean the Federal Power Act, as amended, 16 U.S.C. §§ 791a et seq.

FERC shall mean the Federal Energy Regulatory Commission or its successor.

Force Majeure shall mean any act of God, labor disturbance, act of the public enemy, war, insurrection, riot, fire, storm or flood, explosion, breakage or accident to machinery or equipment, any order, regulation or restriction imposed by governmental, military or lawfully established civilian authorities, or any other cause beyond a Party's control. A Force Majeure event does not include acts of negligence or intentional wrongdoing by the Party claiming Force Majeure.

General Reliability Network Upgrade (GRNU) shall mean Reliability Network Upgrades that are not Interconnection Reliability Network Upgrades.



Generating Facility shall mean the Interconnection Customer's Electric Generating Unit(s) used for the production and/or storage for later injection of electricity identified in the Interconnection Customer's Interconnection Request, but shall not include the Interconnection Customer's Interconnection Facilities.

Generating Facility Capacity shall mean the net capacity of the Generating Facility and the aggregate net capacity of the Generating Facility where it includes multiple energy production devices.

Generator Interconnection and Deliverability Allocation Procedures (GIDAP) shall mean the CAISO protocol that sets forth the interconnection and allocation procedures applicable to an Interconnection Request pertaining to a Large Generating Facility that is included in CAISO Tariff Appendix DD.

Generator Interconnection Study Process Agreement shall mean the agreement between the Interconnection Customer and the CAISO for the conduct of the Interconnection Studies.

Good Utility Practice shall mean any of the practices, methods and acts engaged in or approved by a significant portion of the electric utility industry during the relevant time period, or any of the practices, methods and acts which, in the exercise of reasonable judgment in light of the facts known at the time the decision was made, could have been expected to accomplish the desired result at a reasonable cost consistent with good business practices, reliability, safety and expedition. Good Utility Practice is not intended to be any one of a number of the optimum practices, methods, or acts to the exclusion of all others, but rather to be acceptable practices, methods, or acts generally accepted in the region.

Governmental Authority shall mean any federal, state, local or other governmental, regulatory or administrative agency, court, commission, department, board, or other governmental subdivision, legislature, rulemaking board, tribunal, or other governmental authority having jurisdiction over the Parties, their respective facilities, or the respective services they provide, and exercising or entitled to exercise any administrative, executive, police, or taxing authority or power; provided, however, that such term does not include the Interconnection Customer, CAISO, Participating TO, or any Affiliate thereof.

Governing Independent Study Process Interconnection Studies shall mean the engineering study(ies) conducted or caused to be performed by the CAISO, in coordination with the applicable Participating TO(s), that evaluates the impact of the proposed interconnection on the safety and reliability of the Participating TO's Transmission System and, if applicable, an Affected System, which shall consist primarily of a Facilities Study as described in Section 4.5 of the Generation Interconnection Procedures, a System Impact Study as described in Section 4.4 of the



Generation Interconnection Procedures, or a system impact and facilities study as described in Section 4.4 of the GIDAP.

Hazardous Substances shall mean any chemicals, materials or substances defined as or included in the definition of "hazardous substances," "hazardous wastes," "hazardous materials," "hazardous constituents," "restricted hazardous materials," "extremely hazardous substances," "toxic substances," "radioactive substances," "contaminants," "pollutants," "toxic pollutants" or words of similar meaning and regulatory effect under any applicable Environmental Law, or any other chemical, material or substance, exposure to which is prohibited, limited or regulated by any applicable Environmental Law.

Initial Synchronization Date shall mean the date upon which an Electric Generating Unit is initially synchronized and upon which Trial Operation begins.

In-Service Date shall mean the date upon which the Interconnection Customer reasonably expects it will be ready to begin use of the Participating TO's Interconnection Facilities to obtain back feed power.

Interconnection Customer's Interconnection Facilities shall mean all facilities and equipment, as identified in Appendix A of this LGIA, that are located between the Generating Facility and the Point of Change of Ownership, including any modification, addition, or upgrades to such facilities and equipment necessary to physically and electrically interconnect the Generating Facility to the Participating TO's Transmission System. Interconnection Customer's Interconnection Facilities are sole use facilities.

Interconnection Facilities shall mean the Participating TO's Interconnection Facilities and the Interconnection Customer's Interconnection Facilities. Collectively, Interconnection Facilities include all facilities and equipment between the Generating Facility and the Point of Interconnection, including any modification, additions or upgrades that are necessary to physically and electrically interconnect the Generating Facility to the Participating TO's Transmission System. Interconnection Facilities are sole use facilities and shall not include Distribution Upgrades, Stand Alone Network Upgrades or Network Upgrades.

Interconnection Financial Security (IFS) shall mean any of the financial instruments listed in Section 11.1 of the GIDAP that are posted by an Interconnection Customer to finance the construction of facilities or Network Upgrades.

Interconnection Handbook shall mean a handbook, developed by the Participating TO and posted on the Participating TO's web site or otherwise made available by the Participating TO, describing technical and operational requirements for wholesale generators and loads connected to the Participating TO's portion of the CAISO Controlled Grid, as such handbook may be modified or superseded from time to time. Participating TO's standards contained in the Interconnection Handbook shall be deemed consistent with Good Utility Practice and Applicable Reliability Standards. In



the event of a conflict between the terms of this LGIA and the terms of the Participating TO's Interconnection Handbook, the terms in this LGIA shall apply.

Interconnection Reliability Network Upgrades (IRNU) shall mean Reliability Network Upgrades at the Point of Interconnection to accomplish the physical interconnection of the Generating Facility to the CAISO Controlled Grid. IRNUs are treated as Reliability Network Upgrades unless otherwise noted.

Interconnection Request shall mean a request, in the form of Appendix 1 to the GIDAP, in accordance with the CAISO Tariff.

Interconnection Service shall mean the service provided by the Participating TO and CAISO associated with interconnecting the Interconnection Customer's Generating Facility to the Participating TO's Transmission System and enabling the CAISO Controlled Grid to receive electric energy and capacity from the Generating Facility at the Point of Interconnection, pursuant to the terms of this LGIA, the Participating TO's Transmission Owner Tariff, and the CAISO Tariff.

Interconnection Study shall mean

- (i) For Interconnection Requests processed under the cluster study process described in the GIDAP, any of the following: the Phase I Interconnection Study conducted or caused to be performed by the CAISO, the reassessment of the Phase I Interconnection Study Base Case conducted or caused to be performed by the CAISO prior to the commencement of the Phase II Interconnection Study, or the Phase II Interconnection Study conducted or caused to be performed by the CAISO, pursuant to the GIDAP.
- (ii) For Interconnection Requests processed under the Independent Study Process described in the GIDAP, the governing study(ies) conducted or caused to be performed by the CAISO, in coordination with the applicable Participating TO(s), pursuant to the GIDAP, which shall consist primarily of a system impact and facilities study as described in Section 4.4 of the GIDAP.

IRS shall mean the Internal Revenue Service.

Large Generating Facility shall mean a Generating Facility having a Generating Facility Capacity of more than 20 MW.

LDNU shall mean Local Delivery Network Upgrades.

Local Deliverability Constraint shall mean a transmission system operating limit modeled in the GIDAP study process that would be exceeded if the CAISO were to assign full capacity or partial capacity deliverability status to one or more additional generating facilities interconnecting to the CAISO Controlled Grid in a specific local area, and that is not an Area Deliverability Constraint.



Local Delivery Network Upgrade shall mean a transmission upgrade or addition identified by the CAISO in the GIDAP study process to relieve a Local Deliverability Constraint.

Local Off-Peak Constraints shall mean a transmission system operating limit modeled in the generator interconnection study process that would be exceeded or lead to excessive curtailment, as described in the Off-Peak Deliverability Assessment methodology, if the CAISO were to assign Off-Peak Deliverability Status to one or more Generating Facilities interconnecting to the CAISO Controlled Grid in a specific local area, and that is not an Area Off-Peak Constraint.

Local Off-Peak Network Upgrades (LOPNUs) shall mean a transmission upgrade or addition the CAISO identifies in the generator interconnection study process to relieve a Local Off-Peak Constraint.

Loss shall mean any and all damages, losses, and claims, including claims and actions relating to injury to or death of any person or damage to property, demand, suits, recoveries, costs and expenses, court costs, attorney fees, and all other obligations by or to third parties.

Material Modification shall mean those modifications that have a material impact on the cost or timing of any Interconnection Request or any other valid interconnection request with a later queue priority date.

Maximum Cost Exposure (MCE) shall mean, pursuant to Appendix DD, the sum of (1) the Interconnection Customer's Maximum Cost Responsibility and (2) the Conditionally Assigned Network Upgrades from its Phase I or Phase II Interconnection Study.

Maximum Cost Responsibility (MCR) shall mean, pursuant to Appendix DD, the lower sum of the Interconnection Customer's (1) full cost of assigned Interconnection Reliability Network Upgrades and (2) allocated costs for all other Assigned Network Upgrades, from its Phase I or Phase II Interconnection Studies, not to exceed the Maximum Cost Exposure.

Merchant Network Upgrades – Network Upgrades constructed and owned by an Interconnection Customer or a third party pursuant to Article 5.1.5 of this LGIA, Section 14.3 of the GIDAP, and Sections 24.4.6.1 and 36.11 of the CAISO Tariff.

Metering Equipment shall mean all metering equipment installed or to be installed for measuring the output of the Generating Facility pursuant to this LGIA at the metering points, including but not limited to instrument transformers, MWh-meters, data acquisition equipment, transducers, remote terminal unit, communications equipment, phone lines, and fiber optics.



NERC shall mean the North American Electric Reliability Corporation or its successor organization.

Net Scheduled Generating Unit shall mean an Electric Generating Unit identified in a Net Scheduled PGA operated as a single unit such that the energy bid or self-schedule with the CAISO is the net value of the aggregate electrical net output of the Electric Generating Unit and the self-provided load.

Net Scheduled PGA shall mean a Net Scheduled Participating Generator Agreement specifying the special provisions for the operating relationship between a Net Scheduled Generating Unit and the CAISO, a pro forma version of which is set forth in Appendix B.3 of the CAISO Tariff.

Network Upgrades shall be Participating TO's Delivery Network Upgrades and Participating TO's Reliability Network Upgrades.

Off-Peak Deliverability Constraints shall mean a transmission system operating limit that constrains Generating Facilities in an area, leading to the excessive curtailment of expected Energy.

Off-Peak Network Upgrades shall mean Network Upgrades needed to relieve Off-Peak Deliverability Constraints. Area Off-Peak Network Upgrades address Area Off-Peak Constraints. Local Off-Peak Network Upgrades address Local Off-Peak Constraints.

Operational Control shall mean the rights of the CAISO under the Transmission Control Agreement and the CAISO Tariff to direct the parties to the Transmission Control Agreement how to operate their transmission lines and facilities and other electric plant affecting the reliability of those lines and facilities for the purpose of affording comparable non-discriminatory transmission access and meeting applicable reliability criteria.

Option (A) Generating Facilities shall mean a Generating Facility for which the Interconnection Customer has selected Option (A) as the Deliverability option under Section 7.2 of the GIDAP.

Option (B) Generating Facilities shall mean a Generating Facility for which the Interconnection Customer has selected Option (B) as the Deliverability option under Section 7.2 of the GIDAP.

Participating TO's Delivery Network Upgrades shall mean the additions, modifications, and upgrades to the Participating TO's Transmission System at or beyond the Point of Interconnection, other than Reliability Network Upgrades, identified in the Interconnection Studies, as identified in Appendix A, to relieve constraints on the CAISO Controlled Grid. Participating TO Delivery Network Upgrades can be either ADNU or LDNU.



Participating TO's Interconnection Facilities shall mean all facilities and equipment owned, controlled or operated by the Participating TO from the Point of Change of Ownership to the Point of Interconnection as identified in Appendix A to this LGIA, including any modifications, additions or upgrades to such facilities and equipment. Participating TO's Interconnection Facilities are sole use facilities and shall not include Distribution Upgrades, Stand Alone Network Upgrades or Network Upgrades.

Participating TO's Reliability Network Upgrades shall mean the additions, modifications, and upgrades to the Participating TO's Transmission System at or beyond the Point of Interconnection, identified in the Interconnection Studies, as identified in Appendix A, necessary to interconnect the Large Generating Facility safely and reliably to the Participating TO's Transmission System, which would not have been necessary but for the interconnection of the Large Generating Facility, including additions, modifications, and upgrades necessary to remedy short circuit or stability problems resulting from the interconnection of the Large Generating Facility to the Participating TO's Transmission System. Participating TO's Reliability Network Upgrades also include, consistent with Applicable Reliability Standards and Applicable Reliability Council practice, the Participating TO's facilities necessary to mitigate any adverse impact the Large Generating Facility's interconnection may have on a path's Applicable Reliability Council rating. Participating TO's Reliability Network Upgrades do not include any Participating TO's Delivery Network Upgrades.

Participating TO's Transmission System shall mean the facilities owned and operated by the Participating TO and that have been placed under the CAISO's Operational Control, which facilities form part of the CAISO Controlled Grid.

Party or Parties shall mean the Participating TO, CAISO, Interconnection Customer or the applicable combination of the above.

Phase I Interconnection Study shall mean the engineering study conducted or caused to be performed by the CAISO, in coordination with the applicable Participating TO(s), that evaluates the impact of the proposed interconnection on the safety and reliability of the Participating TO's Transmission System and, if applicable, an Affected System. The study shall identify and detail the system impacts that would result if the Generating Facility(ies) were interconnected without identified project modifications or system modifications, as provided in the On-Peak Deliverability Assessment (as defined in the CAISO Tariff), and other potential impacts, including but not limited to those identified in the Scoping Meeting as described in the GIDAP. The study will also identify the approximate total costs, based on per unit costs, of mitigating these impacts, along with an equitable allocation of those costs to Interconnection Customers for their individual Generating Facilities.

Phase II Interconnection Study shall mean an engineering and operational study conducted or caused to be performed by the CAISO in coordination with the



applicable Participating TO(s), to determine the Point of Interconnection and a list of facilities (including the Participating TO's Interconnection Facilities, Network Upgrades, Distribution Upgrades, and Stand Alone Network Upgrades), the cost of those facilities, and the time required to interconnect the Generating Facility(ies) with the Participating TO's Transmission System.

Phased Generating Facility shall mean a Generating Facility that is structured to be completed and to achieve Commercial Operation in two or more successive sequences that are specified in this LGIA, such that each sequence comprises a portion of the total megawatt generation capacity of the entire Generating Facility.

Point of Change of Ownership shall mean the point, as set forth in Appendix A to this LGIA, where the Interconnection Customer's Interconnection Facilities connect to the Participating TO's Interconnection Facilities.

Point of Interconnection shall mean the point, as set forth in Appendix A to this LGIA, where the Interconnection Facilities connect to the Participating TO's Transmission System.

Precursor Network Upgrades (PNU) shall mean Network Upgrades required for the Interconnection Customer consisting of (1) Network Upgrades assigned to an earlier Interconnection Customer in an earlier Queue Cluster, Independent Study Process, or Fast Track Process, that has executed its GIA pursuant to Section 14.2.2 of the GIDAP; and (2) Network Upgrades in the approved CAISO Transmission Plan.

Reasonable Efforts shall mean, with respect to an action required to be attempted or taken by a Party under this LGIA, efforts that are timely and consistent with Good Utility Practice and are otherwise substantially equivalent to those a Party would use to protect its own interests.

RNU shall mean Reliability Network Upgrades.

Reliability Network Upgrades (RNU) shall mean the transmission facilities at or beyond the Point of Interconnection identified in the Interconnection Studies as necessary to interconnect one or more Generating Facility(ies) safely and reliably to the CAISO Controlled Grid, which would not have been necessary but for the interconnection of one or more Generating Facility(ies), including Network Upgrades necessary to remedy short circuit or stability problems, or thermal overloads. Reliability Network Upgrades shall only be deemed necessary for system operating limits, occurring under any system condition, which cannot be adequately mitigated through Congestion Management, Operating Procedures, or Special Protection Systems based on the characteristics of the Generating Facilities included in the Interconnection Studies, limitations on market models, systems, or information, or other factors specifically identified in the Interconnection Studies. Reliability Network Upgrades also include, consistent with WECC practice, the facilities necessary to mitigate any adverse impact the Generating Facility's interconnection may have on a path's WECC rating.



Reliability Network Upgrades include Interconnection Reliability Network Upgrades and General Reliability Network Upgrades.

Scoping Meeting shall mean the meeting among representatives of the Interconnection Customer, the Participating TO(s), other Affected Systems, and the CAISO conducted for the purpose of discussing alternative interconnection options, to exchange information including any transmission data and earlier study evaluations that would be reasonably expected to impact such interconnection options, to analyze such information, and to determine the potential feasible Points of Interconnection.

Stand Alone Network Upgrades shall mean Network Upgrades that are not part of an Affected System that the Interconnection Customer may construct without affecting day-to-day operations of the CAISO Controlled Grid or Affected Systems during their construction. The Participating TO, the CAISO, and the Interconnection Customer must agree as to what constitutes Stand Alone Network Upgrades and identify them in Appendix A to this LGIA. If the CAISO, the Participating TO, and the Interconnection Customer disagree about whether a particular Network Upgrade is a Stand Alone Network Upgrade, the CAISO or Participating TO must provide the Interconnection Customer a written technical explanation outlining why it does not consider the Network Upgrade to be a Stand Alone Network Upgrade within 15 days of its determination.

Surplus Interconnection Service shall mean any unneeded portion of Interconnection Service Capacity established herein, such that if Surplus Interconnection Service is utilized the total amount of Interconnection Service Capacity at the Point of Interconnection would remain the same.

System Protection Facilities shall mean the equipment, including necessary protection signal communications equipment, that protects (1) the Participating TO's Transmission System, Participating TO's Interconnection Facilities, CAISO Controlled Grid, and Affected Systems from faults or other electrical disturbances occurring at the Generating Facility and (2) the Generating Facility from faults or other electrical system disturbances occurring on the CAISO Controlled Grid, Participating TO's Interconnection Facilities, and Affected Systems or on other delivery systems or other generating systems to which the CAISO Controlled Grid is directly connected.

TP Deliverability shall mean the capability, measured in MW, of the CAISO Controlled Grid as modified by transmission upgrades and additions identified in the annual Transmission Plan to support the interconnection with Full Capacity Deliverability Status or Partial Capacity Deliverability Status of additional Generating Facilities in a specified geographic or electrical area of the CAISO Controlled Grid.

Transmission Control Agreement shall mean CAISO FERC Electric Tariff No. 7.



Trial Operation shall mean the period during which the Interconnection Customer is engaged in on-site test operations and commissioning of an Electric Generating Unit prior to Commercial Operation.

Variable Energy Resource shall mean a device for the production of electricity that is characterized by an Energy source that: (1) is renewable; (2) cannot be stored by the facility owner or operator; and (3) has variability that is beyond the control of the facility owner or operator.

ARTICLE 2. EFFECTIVE DATE, TERM AND TERMINATION

- 2.1 Effective Date.** This LGIA shall become effective upon execution by all Parties subject to acceptance by FERC (if applicable), or if filed unexecuted, upon the date specified by FERC. The CAISO and Participating TO shall promptly file this LGIA with FERC upon execution in accordance with Article 3.1, if required.
- 2.2 Term of Agreement.** Subject to the provisions of Article 2.3, this LGIA shall remain in effect for a period of forty (40) years from the Effective Date (Term Specified in Individual Agreements to be ten (10) years or such other longer period as the Interconnection Customer may request) and shall be automatically renewed for each successive one-year period thereafter.
- 2.3 Termination Procedures.**
- 2.3.1 Written Notice.** This LGIA may be terminated by the Interconnection Customer after giving the CAISO and the Participating TO ninety (90) Calendar Days advance written notice, or by the CAISO and the Participating TO notifying FERC after the Generating Facility permanently ceases Commercial Operation.
- 2.3.2 Default.** A Party may terminate this LGIA in accordance with Article 17.
- 2.3.3 Suspension of Work.** This LGIA may be deemed terminated in accordance with Article 5.16, if applicable.
- 2.3.4** Notwithstanding Articles 2.3.1, 2.3.2, and 2.3.3, no termination shall become effective until the Parties have complied with all Applicable Laws and Regulations applicable to such termination, including the filing with FERC of a notice of termination of this LGIA (if applicable), which notice has been accepted for filing by FERC, and the Interconnection Customer has fulfilled its termination cost obligations under Article 2.4.
- 2.4 Termination Costs.** Immediately upon the other Parties' receipt of a notice of the termination of this LGIA pursuant to Article 2.3 above, the CAISO and the Participating TO will determine the total cost responsibility of the Interconnection Customer. If, as of the date of the other Parties' receipt of the notice of termination, the Interconnection Customer has not already paid its share of

Network Upgrade costs, as set forth in Appendix G to this LGIA, the Participating TO will liquidate the Interconnection Customer's Interconnection Financial Security associated with its cost responsibility for Network Upgrades, in accordance with Section 11.4 of the GIDAP.

The Interconnection Customer will also be responsible for all costs incurred or irrevocably committed to be incurred in association with the construction of the Participating TO's Interconnection Facilities (including any cancellation costs relating to orders or contracts for Interconnection Facilities and equipment) and other such expenses, including any Distribution Upgrades for which the Participating TO or CAISO has incurred expenses or has irrevocably committed to incur expenses and has not been reimbursed by the Interconnection Customer, as of the date of the other Parties' receipt of the notice of termination, subject to the limitations set forth in this Article 2.4. Nothing in this Article 2.4 shall limit the Parties' rights under Article 17. If, as of the date of the other Parties' receipt of the notice of termination, the Interconnection Customer has not already reimbursed the Participating TO and the CAISO for costs incurred to construct the Participating TO's Interconnection Facilities, the Participating TO will liquidate the Interconnection Customer's Interconnection Financial Security associated with the construction of the Participating TO's Interconnection Facilities, in accordance with Section 11.4 of the GIDAP. If the amount of the Interconnection Financial Security liquidated by the Participating TO under this Article 2.4 is insufficient to compensate the CAISO and the Participating TO for actual costs associated with the construction of the Participating TO's Interconnection Facilities contemplated in this Article, any additional amounts will be the responsibility of the Interconnection Customer, subject to the provisions of Section 11.4 of the GIDAP. Any such additional amounts due from the Interconnection Customer beyond the amounts covered by its Interconnection Financial Security will be due to the Participating TO immediately upon termination of this LGIA in accordance with Section 11.4 of the GIDAP.

If the amount of the Interconnection Financial Security exceeds the Interconnection Customer's cost responsibility under Section 11.4 of the GIDAP, any excess amount will be released to the Interconnection Customer in accordance with Section 11.4 of the GIDAP.

2.4.1 Notwithstanding the foregoing, in the event of termination by a Party, all Parties shall use commercially Reasonable Efforts to mitigate the costs, damages and charges arising as a consequence of termination. With respect to any portion of the Participating TO's Interconnection Facilities that have not yet been constructed or installed, the Participating TO shall to the extent possible and with the Interconnection Customer's authorization cancel any pending orders of, or return, any materials or equipment for, or contracts for construction of, such facilities; provided that in the event the Interconnection Customer elects not to authorize such cancellation, the Interconnection Customer shall assume all payment



obligations with respect to such materials, equipment, and contracts, and the Participating TO shall deliver such material and equipment, and, if necessary, assign such contracts, to the Interconnection Customer as soon as practicable, at the Interconnection Customer's expense. To the extent that the Interconnection Customer has already paid the Participating TO for any or all such costs of materials or equipment not taken by the Interconnection Customer, the Participating TO shall promptly refund such amounts to the Interconnection Customer, less any costs, including penalties, incurred by the Participating TO to cancel any pending orders of or return such materials, equipment, or contracts.

2.4.2 The Participating TO may, at its option, retain any portion of such materials, equipment, or facilities that the Interconnection Customer chooses not to accept delivery of, in which case the Participating TO shall be responsible for all costs associated with procuring such materials, equipment, or facilities.

2.4.3 With respect to any portion of the Interconnection Facilities, and any other facilities already installed or constructed pursuant to the terms of this LGIA, Interconnection Customer shall be responsible for all costs associated with the removal, relocation or other disposition or retirement of such materials, equipment, or facilities.

2.5 Disconnection. Upon termination of this LGIA, the Parties will take all appropriate steps to disconnect the Large Generating Facility from the Participating TO's Transmission System. All costs required to effectuate such disconnection shall be borne by the terminating Party, unless such termination resulted from the non-terminating Party's Default of this LGIA or such non-terminating Party otherwise is responsible for these costs under this LGIA.

2.6 Survival. This LGIA shall continue in effect after termination to the extent necessary to provide for final billings and payments and for costs incurred hereunder, including billings and payments pursuant to this LGIA; to permit the determination and enforcement of liability and indemnification obligations arising from acts or events that occurred while this LGIA was in effect; and to permit each Party to have access to the lands of the other Parties pursuant to this LGIA or other applicable agreements, to disconnect, remove or salvage its own facilities and equipment.

ARTICLE 3. REGULATORY FILINGS AND CAISO TARIFF COMPLIANCE

3.1 Filing. The Participating TO and the CAISO shall file this LGIA (and any amendment hereto) with the appropriate Governmental Authority(ies), if required. The Interconnection Customer may request that any information so provided be subject to the confidentiality provisions of Article 22. If the Interconnection Customer has executed this LGIA, or any amendment thereto, the



Interconnection Customer shall reasonably cooperate with the Participating TO and CAISO with respect to such filing and to provide any information reasonably requested by the Participating TO or CAISO needed to comply with applicable regulatory requirements.

- 3.2 Agreement Subject to CAISO Tariff.** The Interconnection Customer will comply with all applicable provisions of the CAISO Tariff, including the GIDAP.
- 3.3 Relationship Between this LGIA and the CAISO Tariff.** With regard to rights and obligations between the Participating TO and the Interconnection Customer, if and to the extent a matter is specifically addressed by a provision of this LGIA (including any appendices, schedules or other attachments to this LGIA), the provisions of this LGIA shall govern. If and to the extent a provision of this LGIA is inconsistent with the CAISO Tariff and dictates rights and obligations between the CAISO and the Participating TO or the CAISO and the Interconnection Customer, the CAISO Tariff shall govern.
- 3.4 Relationship Between this LGIA and the Net Scheduled PGA.** With regard to the rights and obligations of a Net Scheduled Generating Unit that has entered into a Net Scheduled PGA with the CAISO and has entered into this LGIA, if and to the extent a matter is specifically addressed by a provision of the Net Scheduled PGA that is inconsistent with this LGIA, the terms of the Net Scheduled PGA shall govern.

ARTICLE 4. SCOPE OF SERVICE

- 4.1 Interconnection Service.** Interconnection Service allows the Interconnection Customer to connect the Large Generating Facility to the Participating TO's Transmission System and be eligible to deliver the Large Generating Facility's output using the available capacity of the CAISO Controlled Grid. To the extent the Interconnection Customer wants to receive Interconnection Service, the Participating TO shall construct facilities identified in Appendices A and C that the Participating TO is responsible to construct.

Interconnection Service does not necessarily provide the Interconnection Customer with the capability to physically deliver the output of its Large Generating Facility to any particular load on the CAISO Controlled Grid without incurring congestion costs. In the event of transmission constraints on the CAISO Controlled Grid, the Interconnection Customer's Large Generating Facility shall be subject to the applicable congestion management procedures in the CAISO Tariff in the same manner as all other resources. Full Capacity Deliverability Status, Partial Capacity Deliverability Status, and Off-Peak Deliverability Status do not confer any priority over other Generating Facilities to deliver Energy; nor provide any warranty or guarantee to deliver any amount of Energy or avoid curtailment at any time.



- 4.2 Provision of Service.** The Participating TO and the CAISO shall provide Interconnection Service for the Large Generating Facility.
- 4.3 Performance Standards.** Each Party shall perform all of its obligations under this LGIA in accordance with Applicable Laws and Regulations, Applicable Reliability Standards, and Good Utility Practice, and to the extent a Party is required or prevented or limited in taking any action by such regulations and standards, such Party shall not be deemed to be in Breach of this LGIA for its compliance therewith. If such Party is the CAISO or Participating TO, then that Party shall amend the LGIA and submit the amendment to FERC for approval.
- 4.4 No Transmission Service.** The execution of this LGIA does not constitute a request for, nor the provision of, any transmission service under the CAISO Tariff, and does not convey any right to deliver electricity to any specific customer or point of delivery.
- 4.5 Interconnection Customer Provided Services.** The services provided by Interconnection Customer under this LGIA are set forth in Article 9.6 and Article 13.5.1. Interconnection Customer shall be paid for such services in accordance with Article 11.6.
- 4.6 TP Deliverability.** To the extent that an Interconnection Customer is eligible for and has been allocated TP Deliverability pursuant to Section 8.9 of the GIDAP, the Interconnection Customer's retention of such allocated TP Deliverability shall be contingent upon satisfying the obligations set forth in Section 8.9.3 of the GIDAP. In the event that the Interconnection does not retain allocated TP Deliverability with regard to any portion of the Generating Facility, such portion of the Generating Facility shall be deemed to receive Interconnection Service under this LGIA as Energy Only Deliverability Status.

ARTICLE 5. INTERCONNECTION FACILITIES ENGINEERING, PROCUREMENT, AND CONSTRUCTION

Interconnection Facilities, Network Upgrades, and Distribution Upgrades shall be studied, designed, and constructed pursuant to Good Utility Practice. Such studies, design and construction shall be based on the assumed accuracy and completeness of all technical information received by the Participating TO and the CAISO from the Interconnection Customer associated with interconnecting the Large Generating Facility.

- 5.1 Options.** Unless otherwise mutually agreed among the Parties, the Interconnection Customer shall select the In-Service Date, Initial Synchronization Date, and Commercial Operation Date; and either the Standard Option, Alternate Option, or, if eligible, Merchant Option, set forth below, Interconnection Facilities, Network Upgrades, and Distribution Upgrades, and such dates and selected option shall be set forth in Appendix B, Milestones. At the same time, the

Interconnection Customer shall indicate whether it elects the Option to Build set forth in Article 5.1.3 below. If the dates designated by the Interconnection Customer are not acceptable to the CAISO and Participating TO, they shall so notify the Interconnection Customer within thirty (30) calendar days. Upon receipt of the notification that the Interconnection Customer's designated dates are not acceptable to the CAISO and Participating TO, the Interconnection Customer shall notify the CAISO and Participating TO within thirty (30) calendar days whether it elects to exercise the Option to Build if it has not already elected to exercise the Option to Build.

5.1.1 Standard Option. The Participating TO shall design, procure, and construct the Participating TO's Interconnection Facilities, Network Upgrades, and Distribution Upgrades, using Reasonable Efforts to complete the Participating TO's Interconnection Facilities, Network Upgrades, and Distribution Upgrades by the dates set forth in Appendix B, Milestones. The Participating TO shall not be required to undertake any action which is inconsistent with its standard safety practices, its material and equipment specifications, its design criteria and construction procedures, its labor agreements, and Applicable Laws and Regulations. In the event the Participating TO reasonably expects that it will not be able to complete the Participating TO's Interconnection Facilities, Network Upgrades, and Distribution Upgrades by the specified dates, the Participating TO shall promptly provide written notice to the Interconnection Customer and the CAISO and shall undertake Reasonable Efforts to meet the earliest dates thereafter.

5.1.2 Alternate Option. If the dates designated by the Interconnection Customer are acceptable to the Participating TO, the Participating TO shall so notify the Interconnection Customer within thirty (30) Calendar Days, and shall assume responsibility for the design, procurement and construction of the Participating TO's Interconnection Facilities by the designated dates.

If the Participating TO subsequently fails to complete the Participating TO's Interconnection Facilities by the In-Service Date, to the extent necessary to provide back feed power; or fails to complete Network Upgrades by the Initial Synchronization Date to the extent necessary to allow for Trial Operation at full power output, unless other arrangements are made by the Parties for such Trial Operation; or fails to complete the Network Upgrades by the Commercial Operation Date, as such dates are reflected in Appendix B, Milestones; the Participating TO shall pay the Interconnection Customer liquidated damages in accordance with Article 5.3, Liquidated Damages, provided, however, the dates designated by the Interconnection Customer shall be extended day for day for each day that the CAISO refuses to grant clearances to install equipment.

- 5.1.3 Option to Build.** The Interconnection Customer shall have the option to assume responsibility for the design, procurement and construction of the Participating TO's Interconnection Facilities and Stand Alone Network Upgrades. The Participating TO, CAISO, and Interconnection Customer must agree as to what constitutes Stand Alone Network Upgrades and identify such Stand Alone Network Upgrades in Appendix A to this LGIA. Except for Stand Alone Network Upgrades, the Interconnection Customer shall have no right to construct Network Upgrades under this option.
- 5.1.4 Negotiated Option.** If the dates designated by the Interconnection Customer are not acceptable to the CAISO and Participating TO, the Parties shall in good faith attempt to negotiate terms and conditions, including revision of the specified dates and liquidated damages, the provision of incentives, or the procurement and construction of all facilities other than the Participating TO's Interconnection Facilities and Stand Alone Network Upgrades if the Interconnection Customer elects to exercise the Option to Build under Article 5.1.3. If the Parties are unable to reach agreement on such terms and conditions, then, pursuant to Article 5.1.1 (Standard Option), the Participating TO shall assume responsibility for the design, procurement and construction of all facilities other than the Participating TO's Interconnection Facilities and Stand Alone Network Upgrades if the Interconnection Customer elects to exercise the Option to Build.
- 5.1.5 Merchant Option.** In addition to any Option to Build set forth in Article 5.1.3 of this LGIA, an Interconnection Customer having an Option (B) Generating Facility may elect to have a party other than the applicable Participating TO construct some or all of the LDNU and ADNU for which the Interconnection Customer has the obligation to fund and which are not subject to reimbursement. Such LDNU and ADNU will be constructed and incorporated into the CAISO Controlled Grid pursuant to the provisions for Merchant Transmission Facilities in CAISO Tariff Sections 24.4.6.1 and 36.11.
- 5.2 General Conditions Applicable to Option to Build.** If the Interconnection Customer assumes responsibility for the design, procurement and construction of the Participating TO's Interconnection Facilities and Stand Alone Network Upgrades, or assumes responsibility for any stand-alone task, such as telecommunications, environmental, or real-estate related work:
- (1) within six (6) months of the execution of this LGIA, or at a later date agreed to by the Parties, the Interconnection Customer will submit to the CAISO and the Participating TO a milestone schedule for the design, procurement, and construction of the Stand Alone Network Upgrades, or any stand-alone task assumed by the Interconnection Customer. The milestone schedule will be required to support the Interconnection

Customer's Commercial Operation Date, and any Appendix B Milestones will be amended to include the milestone schedule for the Stand Alone Network Upgrades;

(2) the Interconnection Customer shall engineer, procure equipment, and construct the Participating TO's Interconnection Facilities and Stand Alone Network Upgrades (or portions thereof) using Good Utility Practice and using standards and specifications provided in advance by the Participating TO;

(3) The Interconnection Customer's engineering, procurement and construction of the Participating TO's Interconnection Facilities and Stand Alone Network Upgrades shall comply with all requirements of law to which the Participating TO would be subject in the engineering, procurement or construction of the Participating TO's Interconnection Facilities and Stand Alone Network Upgrades;

(4) the Participating TO shall review, and the Interconnection Customer shall obtain the Participating TO's approval of, the engineering design, equipment acceptance tests, and the construction of the Participating TO's Interconnection Facilities and Stand Alone Network Upgrades, which approval shall not be unreasonably withheld, and the CAISO may, at its option, review the engineering design, equipment acceptance tests, and the construction of the Participating TO's Interconnection Facilities and Stand Alone Network Upgrades;

(5) prior to commencement of construction, the Interconnection Customer shall provide to the Participating TO, with a copy to the CAISO for informational purposes, a schedule for construction of the Participating TO's Interconnection Facilities and Stand Alone Network Upgrades, and shall promptly respond to requests for information from the Participating TO;

(6) at any time during construction, the Participating TO shall have the right to gain unrestricted access to the Participating TO's Interconnection Facilities and Stand Alone Network Upgrades and to conduct inspections of the same;

(7) at any time during construction, should any phase of the engineering, equipment procurement, or construction of the Participating TO's Interconnection Facilities and Stand Alone Network Upgrades not meet the standards and specifications provided by the Participating TO, the Interconnection Customer shall be obligated to remedy deficiencies in that portion of the Participating TO's Interconnection Facilities and Stand Alone Network Upgrades;

(8) the Interconnection Customer shall indemnify the CAISO and Participating TO for claims arising from the Interconnection Customer's construction of the Participating TO's Interconnection Facilities and Stand Alone Network Upgrades under the terms and procedures applicable to Article 18.1 Indemnity;

(9) The Interconnection Customer shall transfer control of the Participating TO's Interconnection Facilities to the Participating TO and shall transfer Operational Control of Stand Alone Network Upgrades to the CAISO;

(10) Unless the Parties otherwise agree, the Interconnection Customer shall transfer ownership of the Participating TO's Interconnection Facilities and Stand Alone Network Upgrades to the Participating TO. As soon as reasonably practicable, but within twelve months after completion of the construction of the Participating TO's Interconnection Facilities and Stand Alone Network Upgrades, the Interconnection Customer shall provide an invoice of the final cost of the construction of the Participating TO's Interconnection Facilities and Stand Alone Network Upgrades to the Participating TO, which invoice shall set forth such costs in sufficient detail to enable the Participating TO to reflect the proper costs of such facilities in its transmission rate base and to identify the investment upon which refunds will be provided;

(11) the Participating TO shall accept for operation and maintenance the Participating TO's Interconnection Facilities and Stand Alone Network Upgrades to the extent engineered, procured, and constructed in accordance with this Article 5.2; and

(12) The Interconnection Customer's engineering, procurement and construction of the Participating TO's Interconnection Facilities and Stand Alone Network Upgrades shall comply with all requirements of the "Option to Build" conditions set forth in Appendix C. Interconnection Customer shall deliver to the Participating TO "as-built" drawings, information, and any other documents that are reasonably required by the Participating TO to assure that the Interconnection Facilities and Stand-Alone Network Upgrades are built to the standards and specifications required by the Participating TO.

(13) If the Interconnection Customer exercises the Option to Build pursuant to Article 5.1.3, the Interconnection Customer shall pay the Participating TO the agreed upon amount of \$n/a for Participating TO to execute the responsibilities enumerated to it under Article 5.2. The Participating TO will invoice the Interconnection Customer for this total amount to be divided on a monthly basis pursuant to Article 12.



5.3 Liquidated Damages. The actual damages to the Interconnection Customer, in the event the Participating TO's Interconnection Facilities or Network Upgrades are not completed by the dates designated by the Interconnection Customer and accepted by the Participating TO pursuant to subparagraphs 5.1.2 or 5.1.4, above, may include Interconnection Customer's fixed operation and maintenance costs and lost opportunity costs. Such actual damages are uncertain and impossible to determine at this time. Because of such uncertainty, any liquidated damages paid by the Participating TO to the Interconnection Customer in the event that the Participating TO does not complete any portion of the Participating TO's Interconnection Facilities or Network Upgrades by the applicable dates, shall be an amount equal to $\frac{1}{2}$ of 1 percent per day of the actual cost of the Participating TO's Interconnection Facilities and Network Upgrades, in the aggregate, for which the Participating TO has assumed responsibility to design, procure and construct.

However, in no event shall the total liquidated damages exceed 20 percent of the actual cost of the Participating TO's Interconnection Facilities and Network Upgrades for which the Participating TO has assumed responsibility to design, procure, and construct. The foregoing payments will be made by the Participating TO to the Interconnection Customer as just compensation for the damages caused to the Interconnection Customer, which actual damages are uncertain and impossible to determine at this time, and as reasonable liquidated damages, but not as a penalty or a method to secure performance of this LGIA. Liquidated damages, when the Parties agree to them, are the exclusive remedy for the Participating TO's failure to meet its schedule.

No liquidated damages shall be paid to the Interconnection Customer if: (1) the Interconnection Customer is not ready to commence use of the Participating TO's Interconnection Facilities or Network Upgrades to take the delivery of power for the Electric Generating Unit's Trial Operation or to export power from the Electric Generating Unit on the specified dates, unless the Interconnection Customer would have been able to commence use of the Participating TO's Interconnection Facilities or Network Upgrades to take the delivery of power for Electric Generating Unit's Trial Operation or to export power from the Electric Generating Unit, but for the Participating TO's delay; (2) the Participating TO's failure to meet the specified dates is the result of the action or inaction of the Interconnection Customer or any other interconnection customer who has entered into an interconnection agreement with the CAISO and/or Participating TO, action or inaction by the CAISO, or any cause beyond the Participating TO's reasonable control or reasonable ability to cure; (3) the Interconnection Customer has assumed responsibility for the design, procurement and construction of the Participating TO's Interconnection Facilities and Stand Alone Network Upgrades; or (4) the Parties have otherwise agreed.

In no event shall the CAISO have any responsibility or liability to the Interconnection Customer for liquidated damages pursuant to the provisions of this Article 5.3.

5.4 Power System Stabilizers. The Interconnection Customer shall procure, install, maintain and operate Power System Stabilizers in accordance with Applicable Reliability Standards, the guidelines and procedures established by the Applicable Reliability Council, and the provisions of Section 4.6.5.1 of the CAISO Tariff. The CAISO reserves the right to establish reasonable minimum acceptable settings for any installed Power System Stabilizers, subject to the design and operating limitations of the Large Generating Facility. If the Large Generating Facility's Power System Stabilizers are removed from service or not capable of automatic operation, the Interconnection Customer shall immediately notify the CAISO and the Participating TO and restore the Power System Stabilizers to operation as soon as possible. The CAISO shall have the right to order the reduction in output or disconnection of the Large Generating Facility if the reliability of the CAISO Controlled Grid would be adversely affected as a result of improperly tuned Power System Stabilizers. The requirements of this Article 5.4 shall apply to Asynchronous Generating Facilities in accordance with Appendix H.

5.5 Equipment Procurement. If responsibility for construction of the Participating TO's Interconnection Facilities or Network Upgrades is to be borne by the Participating TO, then the Participating TO shall commence design of the Participating TO's Interconnection Facilities or Network Upgrades and procure necessary equipment as soon as practicable after all of the following conditions are satisfied, unless the Parties otherwise agree in writing:

5.5.1 The CAISO, in coordination with the applicable Participating TO(s), has completed the Phase II Interconnection Study or Governing Independent Study Interconnection Study pursuant to the applicable Generator Interconnection Study Process Agreement or other applicable study process agreement;

5.5.2 The Participating TO has received written authorization to proceed with design and procurement from the Interconnection Customer by the date specified in Appendix B, Milestones; and

5.5.3 The Interconnection Customer has provided security to the Participating TO in accordance with Article 11.5 by the dates specified in Appendix B, Milestones.

5.6 Construction Commencement. The Participating TO shall commence construction of the Participating TO's Interconnection Facilities and Network Upgrades for which it is responsible as soon as practicable after the following additional conditions are satisfied:

- 5.6.1** Approval of the appropriate Governmental Authority has been obtained for any facilities requiring regulatory approval;
- 5.6.2** Necessary real property rights and rights-of-way have been obtained, to the extent required for the construction of a discrete aspect of the Participating TO's Interconnection Facilities and Network Upgrades;
- 5.6.3** The Participating TO has received written authorization to proceed with construction from the Interconnection Customer by the date specified in Appendix B, Milestones; and
- 5.6.4** The Interconnection Customer has provided payment and security to the Participating TO in accordance with Article 11.5 by the dates specified in Appendix B, Milestones.
- 5.7 Work Progress.** The Parties will keep each other advised periodically as to the progress of their respective design, procurement and construction efforts. Any Party may, at any time, request a progress report from another Party. If, at any time, the Interconnection Customer determines that the completion of the Participating TO's Interconnection Facilities will not be required until after the specified In-Service Date, the Interconnection Customer will provide written notice to the Participating TO and CAISO of such later date upon which the completion of the Participating TO's Interconnection Facilities will be required.
- 5.8 Information Exchange.** As soon as reasonably practicable after the Effective Date, the Parties shall exchange information regarding the design and compatibility of the Interconnection Customer's Interconnection Facilities and Participating TO's Interconnection Facilities and compatibility of the Interconnection Facilities with the Participating TO's Transmission System, and shall work diligently and in good faith to make any necessary design changes.
- 5.9 Limited Operation.** If any of the Participating TO's Interconnection Facilities or Network Upgrades are not reasonably expected to be completed prior to the Commercial Operation Date of the Electric Generating Unit, the Participating TO and/or CAISO, as applicable, shall, upon the request and at the expense of the Interconnection Customer, perform operating studies on a timely basis to determine the extent to which the Electric Generating Unit and the Interconnection Customer's Interconnection Facilities may operate prior to the completion of the Participating TO's Interconnection Facilities or Network Upgrades consistent with Applicable Laws and Regulations, Applicable Reliability Standards, Good Utility Practice, and this LGIA. The Participating TO and CAISO shall permit Interconnection Customer to operate the Electric Generating Unit and the Interconnection Customer's Interconnection Facilities in accordance with the results of such studies.

5.10 Interconnection Customer's Interconnection Facilities. The Interconnection Customer shall, at its expense, design, procure, construct, own and install the Interconnection Customer's Interconnection Facilities, as set forth in Appendix A.

5.10.1 Large Generating Facility and Interconnection Customer's Interconnection Facilities Specifications. In addition to the Interconnection Customer's responsibility to submit technical data with its Interconnection Request as required by Section 3.5.1 of the GIDAP, the Interconnection Customer shall submit all remaining necessary specifications for the Interconnection Customer's Interconnection Facilities and Large Generating Facility, including System Protection Facilities, to the Participating TO and the CAISO at least one hundred eighty (180) Calendar Days prior to the Initial Synchronization Date; and final specifications for review and comment at least ninety (90) Calendar Days prior to the Initial Synchronization Date. The Participating TO and the CAISO shall review such specifications pursuant to this LGIA and the GIDAP to ensure that the Interconnection Customer's Interconnection Facilities and Large Generating Facility are compatible with the technical specifications, operational control, safety requirements, and any other applicable requirements of the Participating TO and the CAISO and comment on such specifications within thirty (30) Calendar Days of the Interconnection Customer's submission. All specifications provided hereunder shall be deemed confidential.

5.10.2 Participating TO's and CAISO's Review. The Participating TO's and the CAISO's review of the Interconnection Customer's final specifications shall not be construed as confirming, endorsing, or providing a warranty as to the design, fitness, safety, durability or reliability of the Large Generating Facility, or the Interconnection Customer's Interconnection Facilities. Interconnection Customer shall make such changes to the Interconnection Customer's Interconnection Facilities as may reasonably be required by the Participating TO or the CAISO, in accordance with Good Utility Practice, to ensure that the Interconnection Customer's Interconnection Facilities are compatible with the technical specifications, Operational Control, and safety requirements of the Participating TO or the CAISO.

5.10.3 Interconnection Customer's Interconnection Facilities Construction. The Interconnection Customer's Interconnection Facilities shall be designed and constructed in accordance with Good Utility Practice. Within one hundred twenty (120) Calendar Days after the Commercial Operation Date, unless the Participating TO and Interconnection Customer agree on another mutually acceptable deadline, the Interconnection Customer shall deliver to the Participating TO and CAISO "as-built" drawings, information and documents for the Interconnection Customer's Interconnection Facilities and the Electric Generating Unit(s), such as: a one-line diagram, a site plan showing the Large Generating Facility and the Interconnection

Customer's Interconnection Facilities, plan and elevation drawings showing the layout of the Interconnection Customer's Interconnection Facilities, a relay functional diagram, relaying AC and DC schematic wiring diagrams and relay settings for all facilities associated with the Interconnection Customer's step-up transformers, the facilities connecting the Large Generating Facility to the step-up transformers and the Interconnection Customer's Interconnection Facilities, and the impedances (determined by factory tests) for the associated step-up transformers and the Electric Generating Units. The Interconnection Customer shall provide the Participating TO and the CAISO specifications for the excitation system, automatic voltage regulator, Large Generating Facility control and protection settings, transformer tap settings, and communications, if applicable. Any deviations from the relay settings, machine specifications, and other specifications originally submitted by the Interconnection Customer shall be assessed by the Participating TO and the CAISO pursuant to the appropriate provisions of this LGIA and the GIDAP.

5.10.4 Interconnection Customer to Meet Requirements of the Participating TO's Interconnection Handbook. The Interconnection Customer shall comply with the Participating TO's Interconnection Handbook.

5.11 Participating TO's Interconnection Facilities Construction. The Participating TO's Interconnection Facilities shall be designed and constructed in accordance with Good Utility Practice. Upon request, within one hundred twenty (120) Calendar Days after the Commercial Operation Date, unless the Participating TO and Interconnection Customer agree on another mutually acceptable deadline, the Participating TO shall deliver to the Interconnection Customer and the CAISO the following "as-built" drawings, information and documents for the Participating TO's Interconnection Facilities [include appropriate drawings and relay diagrams].

The Participating TO will obtain control for operating and maintenance purposes of the Participating TO's Interconnection Facilities and Stand Alone Network Upgrades upon completion of such facilities. Pursuant to Article 5.2, the CAISO will obtain Operational Control of the Stand Alone Network Upgrades prior to the Commercial Operation Date.

5.12 Access Rights. Upon reasonable notice and supervision by a Party, and subject to any required or necessary regulatory approvals, a Party ("Granting Party") shall furnish at no cost to the other Party ("Access Party") any rights of use, licenses, rights of way and easements with respect to lands owned or controlled by the Granting Party, its agents (if allowed under the applicable agency agreement), or any Affiliate, that are necessary to enable the Access Party to obtain ingress and egress to construct, operate, maintain, repair, test (or witness testing), inspect, replace or remove facilities and equipment to: (i)

interconnect the Large Generating Facility with the Participating TO's Transmission System; (ii) operate and maintain the Large Generating Facility, the Interconnection Facilities and the Participating TO's Transmission System; and (iii) disconnect or remove the Access Party's facilities and equipment upon termination of this LGIA. In exercising such licenses, rights of way and easements, the Access Party shall not unreasonably disrupt or interfere with normal operation of the Granting Party's business and shall adhere to the safety rules and procedures established in advance, as may be changed from time to time, by the Granting Party and provided to the Access Party.

- 5.13 Lands of Other Property Owners.** If any part of the Participating TO's Interconnection Facilities and/or Network Upgrades are to be installed on property owned by persons other than the Interconnection Customer or Participating TO, the Participating TO shall at the Interconnection Customer's expense use efforts, similar in nature and extent to those that it typically undertakes on its own behalf or on behalf of its Affiliates, including use of its eminent domain authority, and to the extent consistent with state law, to procure from such persons any rights of use, licenses, rights of way and easements that are necessary to construct, operate, maintain, test, inspect, replace or remove the Participating TO's Interconnection Facilities and/or Network Upgrades upon such property.
- 5.14 Permits.** Participating TO and Interconnection Customer shall cooperate with each other in good faith in obtaining all permits, licenses and authorization that are necessary to accomplish the interconnection in compliance with Applicable Laws and Regulations. With respect to this paragraph, the Participating TO shall provide permitting assistance to the Interconnection Customer comparable to that provided to the Participating TO's own, or an Affiliate's generation.
- 5.15 Early Construction of Base Case Facilities.** The Interconnection Customer may request the Participating TO to construct, and the Participating TO shall construct, using Reasonable Efforts to accommodate Interconnection Customer's In-Service Date, all or any portion of any Network Upgrades required for Interconnection Customer to be interconnected to the Participating TO's Transmission System which are included in the Base Case of the Interconnection Studies for the Interconnection Customer, and which also are required to be constructed for another interconnection customer, but where such construction is not scheduled to be completed in time to achieve Interconnection Customer's In-Service Date.
- 5.16 Suspension.** The Interconnection Customer may request to suspend at any time all work associated with the construction and installation of the Participating TO's Interconnection Facilities, Network Upgrades, and/or Distribution Upgrades required under this LGIA, other than Network Upgrades identified in the Phase II Interconnection Study as common to multiple generating facilities. Interconnection Customers seeking to suspend construction will provide the

CAISO and Participating TO a request for assessment pursuant to Section 6.7.2 of the GIDAP, a modification assessment deposit, and an anticipated end date of the suspension. Interconnection Customers may request a suspension for the maximum amount of time in lieu of providing an anticipated end date. The CAISO and Participating TO will approve suspension requests where:

- (a) the Participating TO's electrical system and the CAISO Controlled Grid can be left in a safe and reliable condition in accordance with Good Utility Practice, the Participating TO's safety and reliability criteria, and Applicable Reliability Standards; and
- (b) the CAISO and Participating TO determine the suspension will not result in a Material Modification.

During suspension, the Interconnection Customer may request to extend or shorten their suspension period, consistent with the maximum period provided in this Article. The CAISO and Participating TO will approve such requests where they meet criteria (a) and (b), above. Requests to extend or shorten extensions will require a new modification assessment request and deposit. The Interconnection Customer shall be responsible for all reasonable and necessary costs for suspension for which the Participating TO (i) has incurred pursuant to this LGIA prior to the suspension and (ii) incurs in suspending such work, including any costs incurred to perform such work as may be necessary to ensure the safety of persons and property and the integrity of the Participating TO's electric system during such suspension and, if applicable, any costs incurred in connection with the cancellation or suspension of material, equipment and labor contracts which the Participating TO cannot reasonably avoid; provided, however, that prior to canceling or suspending any such material, equipment or labor contract, the Participating TO shall obtain Interconnection Customer's authorization to do so.

Network Upgrades common to multiple generating facilities, and to which the Interconnection Customer's right of suspension shall not extend, consist of Network Upgrades identified for:

- (i) generating facilities which are the subject of all Interconnection Requests made prior to the Interconnection Customer's Interconnection Request;
- (ii) generating facilities which are the subject of Interconnection Requests within the Interconnection Customer's queue cluster; and
- (iii) generating facilities that are the subject of Interconnection Requests that were made after the Interconnection Customer's Interconnection Request but no later than the date on which the Interconnection Customer's Phase II Interconnection Study Report is issued, and have been modeled in the Base Case at the time the Interconnection Customer seeks to exercise its suspension rights under this Article.

The Participating TO shall invoice the Interconnection Customer for such costs pursuant to Article 12 and shall use due diligence to minimize its costs. In the event Interconnection Customer suspends work required under this LGIA pursuant to this Article 5.16, and has not requested the Participating TO to recommence the work or has not itself recommenced work required under this LGIA in time to ensure that the new projected Commercial Operation Date for the full Generating Facility Capacity of the Large Generating Facility is no more than three (3) years from the Commercial Operation Date identified in Appendix B hereto, this LGIA shall be deemed terminated and the Interconnection Customer's responsibility for costs will be determined in accordance with Article 2.4 of this LGIA. The suspension period shall begin on the date the Interconnection Customer provides in its request, if approved. Ninety (90) days before the anticipated end date of the suspension, the Participating TO and the CAISO will tender an amended draft LGIA with new construction milestones. The Parties agree to negotiate the amended draft LGIA in good faith such that it can be executed by the end of the suspension.

Interconnection Customer subject to Section 8.9.2.2 of Appendix DD may not request suspension.

5.17 Taxes.

5.17.1 Interconnection Customer Payments Not Taxable. The Parties intend that all payments or property transfers made by the Interconnection Customer to the Participating TO for the installation of the Participating TO's Interconnection Facilities and the Network Upgrades shall be non-taxable, either as contributions to capital, or as a refundable advance, in accordance with the Internal Revenue Code and any applicable state income tax laws and shall not be taxable as contributions in aid of construction or otherwise under the Internal Revenue Code and any applicable state income tax laws.

5.17.2 Representations And Covenants. In accordance with IRS Notice 2001-82 and IRS Notice 88-129, the Interconnection Customer represents and covenants that (i) ownership of the electricity generated at the Large Generating Facility will pass to another party prior to the transmission of the electricity on the CAISO Controlled Grid, (ii) for income tax purposes, the amount of any payments and the cost of any property transferred to the Participating TO for the Participating TO's Interconnection Facilities will be capitalized by the Interconnection Customer as an intangible asset and recovered using the straight-line method over a useful life of twenty (20) years, and (iii) any portion of the Participating TO's Interconnection Facilities that is a "dual-use intertie," within the meaning of IRS Notice 88-129, is reasonably expected to carry only a de minimis amount of electricity in the direction of the Large Generating Facility. For this

purpose, “de minimis amount” means no more than 5 percent of the total power flows in both directions, calculated in accordance with the “5 percent test” set forth in IRS Notice 88-129. This is not intended to be an exclusive list of the relevant conditions that must be met to conform to IRS requirements for non-taxable treatment.

At the Participating TO's request, the Interconnection Customer shall provide the Participating TO with a report from an independent engineer confirming its representation in clause (iii), above. The Participating TO represents and covenants that the cost of the Participating TO's Interconnection Facilities paid for by the Interconnection Customer without the possibility of refund or credit will have no net effect on the base upon which rates are determined.

5.17.3 Indemnification for the Cost Consequence of Current Tax Liability Imposed Upon the Participating TO. Notwithstanding Article 5.17.1, the Interconnection Customer shall protect, indemnify and hold harmless the Participating TO from the cost consequences of any current tax liability imposed against the Participating TO as the result of payments or property transfers made by the Interconnection Customer to the Participating TO under this LGIA for Interconnection Facilities, as well as any interest and penalties, other than interest and penalties attributable to any delay caused by the Participating TO.

The Participating TO shall not include a gross-up for the cost consequences of any current tax liability in the amounts it charges the Interconnection Customer under this LGIA unless (i) the Participating TO has determined, in good faith, that the payments or property transfers made by the Interconnection Customer to the Participating TO should be reported as income subject to taxation or (ii) any Governmental Authority directs the Participating TO to report payments or property as income subject to taxation; provided, however, that the Participating TO may require the Interconnection Customer to provide security for Interconnection Facilities, in a form reasonably acceptable to the Participating TO (such as a parental guarantee or a letter of credit), in an amount equal to the cost consequences of any current tax liability under this Article 5.17. The Interconnection Customer shall reimburse the Participating TO for such costs on a fully grossed-up basis, in accordance with Article 5.17.4, within thirty (30) Calendar Days of receiving written notification from the Participating TO of the amount due, including detail about how the amount was calculated.

The indemnification obligation shall terminate at the earlier of (1) the expiration of the ten year testing period and the applicable statute of limitation, as it may be extended by the Participating TO upon request of the IRS, to keep these years open for audit or adjustment, or (2) the

occurrence of a subsequent taxable event and the payment of any related indemnification obligations as contemplated by this Article 5.17.

5.17.4 Tax Gross-Up Amount. The Interconnection Customer's liability for the cost consequences of any current tax liability under this Article 5.17 shall be calculated on a fully grossed-up basis. Except as may otherwise be agreed to by the parties, this means that the Interconnection Customer will pay the Participating TO, in addition to the amount paid for the Interconnection Facilities and Network Upgrades, an amount equal to (1) the current taxes imposed on the Participating TO ("Current Taxes") on the excess of (a) the gross income realized by the Participating TO as a result of payments or property transfers made by the Interconnection Customer to the Participating TO under this LGIA (without regard to any payments under this Article 5.17) (the "Gross Income Amount") over (b) the present value of future tax deductions for depreciation that will be available as a result of such payments or property transfers (the "Present Value Depreciation Amount"), plus (2) an additional amount sufficient to permit the Participating TO to receive and retain, after the payment of all Current Taxes, an amount equal to the net amount described in clause (1).

For this purpose, (i) Current Taxes shall be computed based on the Participating TO's composite federal and state tax rates at the time the payments or property transfers are received and the Participating TO will be treated as being subject to tax at the highest marginal rates in effect at that time (the "Current Tax Rate"), and (ii) the Present Value Depreciation Amount shall be computed by discounting the Participating TO's anticipated tax depreciation deductions as a result of such payments or property transfers by the Participating TO's current weighted average cost of capital. Thus, the formula for calculating the Interconnection Customer's liability to the Participating TO pursuant to this Article 5.17.4 can be expressed as follows: $(\text{Current Tax Rate} \times (\text{Gross Income Amount} - \text{Present Value of Tax Depreciation})) / (1 - \text{Current Tax Rate})$. Interconnection Customer's estimated tax liability in the event taxes are imposed shall be stated in Appendix A, Interconnection Facilities, Network Upgrades and Distribution Upgrades.

5.17.5 Private Letter Ruling or Change or Clarification of Law. At the Interconnection Customer's request and expense, the Participating TO shall file with the IRS a request for a private letter ruling as to whether any property transferred or sums paid, or to be paid, by the Interconnection Customer to the Participating TO under this LGIA are subject to federal income taxation. The Interconnection Customer will prepare the initial draft of the request for a private letter ruling, and will certify under penalties of perjury that all facts represented in such request are true and accurate to the best of the Interconnection Customer's knowledge. The

Participating TO and Interconnection Customer shall cooperate in good faith with respect to the submission of such request, provided, however, the Interconnection Customer and the Participating TO explicitly acknowledge (and nothing herein is intended to alter) Participating TO's obligation under law to certify that the facts presented in the ruling request are true, correct and complete.

The Participating TO shall keep the Interconnection Customer fully informed of the status of such request for a private letter ruling and shall execute either a privacy act waiver or a limited power of attorney, in a form acceptable to the IRS, that authorizes the Interconnection Customer to participate in all discussions with the IRS regarding such request for a private letter ruling. The Participating TO shall allow the Interconnection Customer to attend all meetings with IRS officials about the request and shall permit the Interconnection Customer to prepare the initial drafts of any follow-up letters in connection with the request.

5.17.6 Subsequent Taxable Events. If, within 10 years from the date on which the relevant Participating TO's Interconnection Facilities are placed in service, (i) the Interconnection Customer Breaches the covenants contained in Article 5.17.2, (ii) a "disqualification event" occurs within the meaning of IRS Notice 88-129, or (iii) this LGIA terminates and the Participating TO retains ownership of the Interconnection Facilities and Network Upgrades, the Interconnection Customer shall pay a tax gross-up for the cost consequences of any current tax liability imposed on the Participating TO, calculated using the methodology described in Article 5.17.4 and in accordance with IRS Notice 90-60.

5.17.7 Contests. In the event any Governmental Authority determines that the Participating TO's receipt of payments or property constitutes income that is subject to taxation, the Participating TO shall notify the Interconnection Customer, in writing, within thirty (30) Calendar Days of receiving notification of such determination by a Governmental Authority. Upon the timely written request by the Interconnection Customer and at the Interconnection Customer's sole expense, the Participating TO may appeal, protest, seek abatement of, or otherwise oppose such determination. Upon the Interconnection Customer's written request and sole expense, the Participating TO may file a claim for refund with respect to any taxes paid under this Article 5.17, whether or not it has received such a determination. The Participating TO reserve the right to make all decisions with regard to the prosecution of such appeal, protest, abatement or other contest, including the selection of counsel and compromise or settlement of the claim, but the Participating TO shall keep the Interconnection Customer informed, shall consider in good faith suggestions from the Interconnection Customer about the conduct of the

contest, and shall reasonably permit the Interconnection Customer or an Interconnection Customer representative to attend contest proceedings.

The Interconnection Customer shall pay to the Participating TO on a periodic basis, as invoiced by the Participating TO, the Participating TO's documented reasonable costs of prosecuting such appeal, protest, abatement or other contest, including any costs associated with obtaining the opinion of independent tax counsel described in this Article 5.17.7. The Participating TO may abandon any contest if the Interconnection Customer fails to provide payment to the Participating TO within thirty (30) Calendar Days of receiving such invoice.

At any time during the contest, the Participating TO may agree to a settlement either with the Interconnection Customer's consent or, if such consent is refused, after obtaining written advice from independent nationally-recognized tax counsel, selected by the Participating TO, but reasonably acceptable to the Interconnection Customer, that the proposed settlement represents a reasonable settlement given the hazards of litigation. The Interconnection Customer's obligation shall be based on the amount of the settlement agreed to by the Interconnection Customer, or if a higher amount, so much of the settlement that is supported by the written advice from nationally-recognized tax counsel selected under the terms of the preceding paragraph. The settlement amount shall be calculated on a fully grossed-up basis to cover any related cost consequences of the current tax liability. The Participating TO may also settle any tax controversy without receiving the Interconnection Customer's consent or any such written advice; however, any such settlement will relieve the Interconnection Customer from any obligation to indemnify the Participating TO for the tax at issue in the contest (unless the failure to obtain written advice is attributable to the Interconnection Customer's unreasonable refusal to the appointment of independent tax counsel).

5.17.8 Refund. In the event that (a) a private letter ruling is issued to the Participating TO which holds that any amount paid or the value of any property transferred by the Interconnection Customer to the Participating TO under the terms of this LGIA is not subject to federal income taxation, (b) any legislative change or administrative announcement, notice, ruling or other determination makes it reasonably clear to the Participating TO in good faith that any amount paid or the value of any property transferred by the Interconnection Customer to the Participating TO under the terms of this LGIA is not taxable to the Participating TO, (c) any abatement, appeal, protest, or other contest results in a determination that any payments or transfers made by the Interconnection Customer to the Participating TO are not subject to federal income tax, or (d) if the Participating TO receives a refund from any taxing authority for any overpayment of tax attributable



to any payment or property transfer made by the Interconnection Customer to the Participating TO pursuant to this LGIA, the Participating TO shall promptly refund to the Interconnection Customer the following:

(i) any payment made by Interconnection Customer under this Article 5.17 for taxes that is attributable to the amount determined to be non-taxable, together with interest thereon,

(ii) interest on any amounts paid by the Interconnection Customer to the Participating TO for such taxes which the Participating TO did not submit to the taxing authority, calculated in accordance with the methodology set forth in FERC's regulations at 18 C.F.R. §35.19a(a)(2)(iii) from the date payment was made by the Interconnection Customer to the date the Participating TO refunds such payment to the Interconnection Customer, and

(iii) with respect to any such taxes paid by the Participating TO, any refund or credit the Participating TO receives or to which it may be entitled from any Governmental Authority, interest (or that portion thereof attributable to the payment described in clause (i), above) owed to the Participating TO for such overpayment of taxes (including any reduction in interest otherwise payable by the Participating TO to any Governmental Authority resulting from an offset or credit); provided, however, that the Participating TO will remit such amount promptly to the Interconnection Customer only after and to the extent that the Participating TO has received a tax refund, credit or offset from any Governmental Authority for any applicable overpayment of income tax related to the Participating TO's Interconnection Facilities.

The intent of this provision is to leave the Parties, to the extent practicable, in the event that no taxes are due with respect to any payment for Interconnection Facilities and Network Upgrades hereunder, in the same position they would have been in had no such tax payments been made.

5.17.9 Taxes Other Than Income Taxes. Upon the timely request by the Interconnection Customer, and at the Interconnection Customer's sole expense, the CAISO or Participating TO may appeal, protest, seek abatement of, or otherwise contest any tax (other than federal or state income tax) asserted or assessed against the CAISO or Participating TO for which the Interconnection Customer may be required to reimburse the CAISO or Participating TO under the terms of this LGIA. The Interconnection Customer shall pay to the Participating TO on a periodic basis, as invoiced by the Participating TO, the Participating TO's documented reasonable costs of prosecuting such appeal, protest, abatement, or other contest. The Interconnection Customer, the CAISO,

and the Participating TO shall cooperate in good faith with respect to any such contest. Unless the payment of such taxes is a prerequisite to an appeal or abatement or cannot be deferred, no amount shall be payable by the Interconnection Customer to the CAISO or Participating TO for such taxes until they are assessed by a final, non-appealable order by any court or agency of competent jurisdiction. In the event that a tax payment is withheld and ultimately due and payable after appeal, the Interconnection Customer will be responsible for all taxes, interest and penalties, other than penalties attributable to any delay caused by the Participating TO.

5.18 Tax Status. Each Party shall cooperate with the others to maintain the other Parties' tax status. Nothing in this LGIA is intended to adversely affect the CAISO's or any Participating TO's tax exempt status with respect to the issuance of bonds including, but not limited to, Local Furnishing Bonds.

5.19 Modification.

5.19.1 General. The Interconnection Customer or the Participating TO may undertake modifications to its facilities, subject to Section 25.1(c) and Section 25 of the CAISO Tariff if the Interconnection Customer has achieved its Commercial Operation Date, and subject to Section 6.7.2 of Appendix DD if it has not.

If a Party plans to undertake a modification that reasonably may be expected to affect the other Parties' facilities, that Party shall provide to the other Parties sufficient information regarding such modification so that the other Parties may evaluate the potential impact of such modification prior to commencement of the work. Such information shall be deemed to be confidential hereunder and shall include information concerning the timing of such modifications and whether such modifications are expected to interrupt the flow of electricity from the Large Generating Facility. The Party desiring to perform such work shall provide the relevant drawings, plans, and specifications to the other Parties at least ninety (90) Calendar Days in advance of the commencement of the work or such shorter period upon which the Parties may agree, which agreement shall not unreasonably be withheld, conditioned or delayed.

Notwithstanding Section 7.5 of Appendix DD, at any time after achieving its Commercial Operation Date, the Interconnection Customer may reduce the megawatt generating capacities of its Generating Facilities, subject to Section 25.1(c) of the CAISO Tariff. Section 7.5.11 of Appendix DD will still apply to such requests to reduce capacity.

5.19.2 Standards. Any additions, modifications, or replacements made to a Party's facilities shall be designed, constructed and operated in accordance with this LGIA and Good Utility Practice.

5.19.3 Modification Costs. The Interconnection Customer shall not be directly assigned the costs of any additions, modifications, or replacements that the Participating TO makes to the Participating TO's Interconnection Facilities or the Participating TO's Transmission System to facilitate the interconnection of a third party to the Participating TO's Interconnection Facilities or the Participating TO's Transmission System, or to provide transmission service to a third party under the CAISO Tariff. The Interconnection Customer shall be responsible for the costs of any additions, modifications, or replacements to the Interconnection Facilities that may be necessary to maintain or upgrade such Interconnection Facilities consistent with Applicable Laws and Regulations, Applicable Reliability Standards or Good Utility Practice.

5.20 Annual Reassessment Process. In accordance with Section 7.4 of the GIDAP, the CAISO will perform an annual reassessment, as part of a queue cluster interconnection study cycle, in which it will update certain base case data prior to beginning the GIDAP Phase II Interconnection Studies. As set forth in Section 7.4, the CAISO may determine through this assessment that Delivery Network Upgrades and Off-Peak Network Upgrades already identified and included in executed generator interconnection agreements should be modified in order to reflect the current circumstances of interconnection customers in the queue, including any withdrawals therefrom, and any additions and upgrades approved in the CAISO's most recent TPP cycle. To the extent that this determination modifies the scope or characteristics of, or the cost responsibility for, any Delivery Network Upgrades and Off-Peak Network Upgrades set forth in Appendix A to this LGIA, such modification(s) will be reflected through an amendment to this LGIA.

ARTICLE 6. TESTING AND INSPECTION

6.1 Pre-Commercial Operation Date Testing and Modifications. Prior to the Commercial Operation Date, the Participating TO shall test the Participating TO's Interconnection Facilities, Network Upgrades, and Distribution Upgrades and the Interconnection Customer shall test the Large Generating Facility and the Interconnection Customer's Interconnection Facilities to ensure their safe and reliable operation. Similar testing may be required after initial operation. Each Party shall make any modifications to its facilities that are found to be necessary as a result of such testing. The Interconnection Customer shall bear the cost of all such testing and modifications. The Interconnection Customer shall not commence initial parallel operation of an Electric Generating Unit with the Participating TO's Transmission System until the Participating TO provides prior

written approval, which approval shall not be unreasonably withheld, for operation of such Electric Generating Unit. The Interconnection Customer shall generate test energy at the Large Generating Facility only if it has arranged for the delivery of such test energy.

- 6.2 Post-Commercial Operation Date Testing and Modifications.** Each Party shall at its own expense perform routine inspection and testing of its facilities and equipment in accordance with Good Utility Practice as may be necessary to ensure the continued interconnection of the Large Generating Facility with the Participating TO's Transmission System in a safe and reliable manner. Each Party shall have the right, upon advance written notice, to require reasonable additional testing of the other Party's facilities, at the requesting Party's expense, as may be in accordance with Good Utility Practice.
- 6.3 Right to Observe Testing.** Each Party shall notify the other Parties at least fourteen (14) Calendar Days in advance of its performance of tests of its Interconnection Facilities or Generating Facility. The other Parties have the right, at their own expense, to observe such testing.
- 6.4 Right to Inspect.** Each Party shall have the right, but shall have no obligation to: (i) observe another Party's tests and/or inspection of any of its System Protection Facilities and other protective equipment, including Power System Stabilizers; (ii) review the settings of another Party's System Protection Facilities and other protective equipment; and (iii) review another Party's maintenance records relative to the Interconnection Facilities, the System Protection Facilities and other protective equipment. A Party may exercise these rights from time to time as it deems necessary upon reasonable notice to the other Party. The exercise or non-exercise by a Party of any such rights shall not be construed as an endorsement or confirmation of any element or condition of the Interconnection Facilities or the System Protection Facilities or other protective equipment or the operation thereof, or as a warranty as to the fitness, safety, desirability, or reliability of same. Any information that a Party obtains through the exercise of any of its rights under this Article 6.4 shall be deemed to be Confidential Information and treated pursuant to Article 22 of this LGIA.

ARTICLE 7. METERING

- 7.1 General.** Each Party shall comply with any Applicable Reliability Standards and the Applicable Reliability Council requirements. The Interconnection Customer and CAISO shall comply with the provisions of the CAISO Tariff regarding metering, including Section 10 of the CAISO Tariff. Unless otherwise agreed by the Participating TO and the Interconnection Customer, the Participating TO may install additional Metering Equipment at the Point of Interconnection prior to any operation of any Electric Generating Unit and shall own, operate, test and maintain such Metering Equipment. Power flows to and from the Large Generating Facility shall be measured at or, at the CAISO's or Participating TO's



option for its respective Metering Equipment, compensated to, the Point of Interconnection. The CAISO shall provide metering quantities to the Interconnection Customer upon request in accordance with the CAISO Tariff by directly polling the CAISO's meter data acquisition system. The Interconnection Customer shall bear all reasonable documented costs associated with the purchase, installation, operation, testing and maintenance of the Metering Equipment.

- 7.2 Check Meters.** The Interconnection Customer, at its option and expense, may install and operate, on its premises and on its side of the Point of Interconnection, one or more check meters to check the CAISO-pollled meters or the Participating TO's meters. Such check meters shall be for check purposes only and shall not be used for the measurement of power flows for purposes of this LGIA, except in the case that no other means are available on a temporary basis at the option of the CAISO or the Participating TO. The check meters shall be subject at all reasonable times to inspection and examination by the CAISO or Participating TO or their designees. The installation, operation and maintenance thereof shall be performed entirely by the Interconnection Customer in accordance with Good Utility Practice.
- 7.3 Participating TO Retail Metering.** The Participating TO may install retail revenue quality meters and associated equipment, pursuant to the Participating TO's applicable retail tariffs.

ARTICLE 8. COMMUNICATIONS

- 8.1 Interconnection Customer Obligations.** The Interconnection Customer shall maintain satisfactory operating communications with the CAISO in accordance with the provisions of the CAISO Tariff and with the Participating TO's dispatcher or representative designated by the Participating TO. The Interconnection Customer shall provide standard voice line, dedicated voice line and facsimile communications at its Large Generating Facility control room or central dispatch facility through use of either the public telephone system, or a voice communications system that does not rely on the public telephone system. The Interconnection Customer shall also provide the dedicated data circuit(s) necessary to provide Interconnection Customer data to the CAISO and Participating TO as set forth in Appendix D, Security Arrangements Details. The data circuit(s) shall extend from the Large Generating Facility to the location(s) specified by the CAISO and Participating TO. Any required maintenance of such communications equipment shall be performed by the Interconnection Customer. Operational communications shall be activated and maintained under, but not be limited to, the following events: system paralleling or separation, scheduled and unscheduled shutdowns, equipment clearances, and hourly and daily load data.

8.2 Remote Terminal Unit. Prior to the Initial Synchronization Date of each Electric Generating Unit, a Remote Terminal Unit, or equivalent data collection and transfer equipment acceptable to the Parties, shall be installed by the Interconnection Customer, or by the Participating TO at the Interconnection Customer's expense, to gather accumulated and instantaneous data to be telemetered to the location(s) designated by the CAISO and by the Participating TO through use of a dedicated point-to-point data circuit(s) as indicated in Article 8.1.

Telemetry to the CAISO shall be provided in accordance with the CAISO's technical standards for direct telemetry. For telemetry to the Participating TO, the communication protocol for the data circuit(s) shall be specified by the Participating TO. Instantaneous bi-directional real power and reactive power flow and any other required information must be telemetered directly to the location(s) specified by the Participating TO.

Each Party will promptly advise the other Parties if it detects or otherwise learns of any metering, telemetry or communications equipment errors or malfunctions that require the attention and/or correction by another Party. The Party owning such equipment shall correct such error or malfunction as soon as reasonably feasible.

8.3 No Annexation. Any and all equipment placed on the premises of a Party shall be and remain the property of the Party providing such equipment regardless of the mode and manner of annexation or attachment to real property, unless otherwise mutually agreed by the Parties.

8.4 Provision of Data from a Variable Energy Resource. The Interconnection Customer whose Generating Facility is a Variable Energy Resource shall provide meteorological and forced outage data to the CAISO to the extent necessary for the CAISO's development and deployment of power production forecasts for that class of Variable Energy Resources. The Interconnection Customer with a Variable Energy Resource having wind as the energy source, at a minimum, will be required to provide the CAISO with site-specific meteorological data including: temperature, wind speed, wind direction, and atmospheric pressure. The Interconnection Customer with a Variable Energy Resource having solar as the energy source, at a minimum, will be required to provide the CAISO with site-specific meteorological data including: temperature, atmospheric pressure, and irradiance. The CAISO and Interconnection Customer whose Generating Facility is a Variable Energy Resource shall mutually agree to any additional meteorological data that are required for the development and deployment of a power production forecast. The Interconnection Customer whose Generating Facility is a Variable Energy Resource also shall submit data to the CAISO regarding all forced outages to the extent necessary for the CAISO's development and deployment of power production forecasts for that class of Variable Energy Resources. The exact specifications of the meteorological and

forced outage data to be provided by the Interconnection Customer to the CAISO, including the frequency and timing of data submittals, shall be made taking into account the size and configuration of the Variable Energy Resource, its characteristics, location, and its importance in maintaining generation resource adequacy and transmission system reliability in its area. All requirements for meteorological and forced outage data must be commensurate with the power production forecasting employed by the CAISO. Such requirements for meteorological and forced outage data are set forth in Appendix C, Interconnection Details, of this LGIA, as they may change from time to time.

ARTICLE 9. OPERATIONS

- 9.1 General.** Each Party shall comply with Applicable Reliability Standards and the Applicable Reliability Council requirements. Each Party shall provide to the other Party all information that may reasonably be required by the other Party to comply with Applicable Laws and Regulations and Applicable Reliability Standards.
- 9.2 Balancing Authority Area Notification.** At least three months before Initial Synchronization Date, the Interconnection Customer shall notify the CAISO and Participating TO in writing of the Balancing Authority Area in which the Large Generating Facility intends to be located. If the Interconnection Customer intends to locate the Large Generating Facility in a Balancing Authority Area other than the Balancing Authority Area within whose electrically metered boundaries the Large Generating Facility is located, and if permitted to do so by the relevant transmission tariffs, all necessary arrangements, including but not limited to those set forth in Article 7 and Article 8 of this LGIA, and remote Balancing Authority Area generator interchange agreements, if applicable, and the appropriate measures under such agreements, shall be executed and implemented prior to the placement of the Large Generating Facility in the other Balancing Authority Area.
- 9.3 CAISO and Participating TO Obligations.** The CAISO and Participating TO shall cause the Participating TO's Transmission System to be operated and controlled in a safe and reliable manner and in accordance with this LGIA. The Participating TO at the Interconnection Customer's expense shall cause the Participating TO's Interconnection Facilities to be operated, maintained and controlled in a safe and reliable manner and in accordance with this LGIA. The CAISO and Participating TO may provide operating instructions to the Interconnection Customer consistent with this LGIA and Participating TO and CAISO operating protocols and procedures as they may change from time to time. The Participating TO and CAISO will consider changes to their operating protocols and procedures proposed by the Interconnection Customer.



9.4 Interconnection Customer Obligations. The Interconnection Customer shall at its own expense operate, maintain and control the Large Generating Facility and the Interconnection Customer's Interconnection Facilities in a safe and reliable manner and in accordance with this LGIA. The Interconnection Customer shall operate the Large Generating Facility and the Interconnection Customer's Interconnection Facilities in accordance with all applicable requirements of the Balancing Authority Area of which it is part, including such requirements as set forth in Appendix C, Interconnection Details, of this LGIA. Appendix C, Interconnection Details, will be modified to reflect changes to the requirements as they may change from time to time. A Party may request that another Party provide copies of the requirements set forth in Appendix C, Interconnection Details, of this LGIA. The Interconnection Customer shall not commence Commercial Operation of an Electric Generating Unit with the Participating TO's Transmission System until the Participating TO provides prior written approval, which approval shall not be unreasonably withheld, for operation of such Electric Generating Unit.

9.5 Start-Up and Synchronization. Consistent with the Parties' mutually acceptable procedures, the Interconnection Customer is responsible for the proper synchronization of each Electric Generating Unit to the CAISO Controlled Grid.

9.6 Reactive Power and Primary Frequency Response.

9.6.1 Power Factor Design Criteria. For all Generating Facilities other than Asynchronous Generating Facilities, the Interconnection Customer shall design the Large Generating Facility to maintain a composite power delivery at continuous rated power output at the terminals of the Electric Generating Unit at a power factor within the range of 0.95 leading to 0.90 lagging, unless the CAISO has established different requirements that apply to all generators in the Balancing Authority Area on a comparable basis. For Asynchronous Generating Facilities, the Interconnection Customer shall design the Large Generating Facility to maintain power factor criteria in accordance with Appendix H of this LGIA except in the following cases: (a) an Interconnection Customer posts Interconnection Financial Security for an Asynchronous Generating Facility pursuant to Appendix DD of the CAISO Tariff Section 11.2.2 on or after September 21, 2016; or (b) an Interconnection Customer that submits an Interconnection Request for an Asynchronous Generating Facility under the Fast Track Process pursuant to Appendix DD of the CAISO Tariff on or after September 21, 2016.

When an Interconnection Customer posts Interconnection Financial Security for an Asynchronous Generating Facility pursuant to Appendix DD of the CAISO Tariff on or after September 21, 2016, the Interconnection Customer will design the Large Generator Facility to

maintain a composite power delivery at continuous rated power output at the high-side of the generator substation at a power factor within the range of 0.95 leading to 0.95 lagging, unless the CAISO has established a different power factor range that applies to all Asynchronous Generating Facilities on a comparable basis. This power factor range standard shall be dynamic and can be met using, for example, power electronics designed to supply this level of reactive capability (taking into account any limitations due to voltage level, real power output, etc.) or fixed and switched capacitors and reactors, or a combination of the two.

When an Interconnection Customer submits an Interconnection Request for an Asynchronous Generating Facility under the Fast Track Process pursuant to Appendix DD of the CAISO Tariff on or after September 21, 2016, the Interconnection Customer will design the Large Generating Facility to maintain a composite power delivery at continuous rated power output at the high-side of the generator substation at a power factor within the range of 0.95 leading to 0.95 lagging, unless the CAISO has established a different power factor range that applies to all Asynchronous Generating Facilities on a comparable basis. This power factor range standard shall be dynamic and can be met using, for example, power electronics designed to supply this level of reactive capability (taking into account any limitations due to voltage level, real power output, etc.) or fixed and switched capacitors and reactors, or a combination of the two.

9.6.2 Voltage Schedules. Once the Interconnection Customer has synchronized an Electric Generating Unit with the CAISO Controlled Grid, the CAISO or Participating TO shall require the Interconnection Customer to maintain a voltage schedule by operating the Electric Generating Unit to produce or absorb reactive power within the design limitations of the Electric Generating Unit set forth in Article 9.6.1 (Power Factor Design Criteria). CAISO's voltage schedules shall treat all sources of reactive power in the Balancing Authority Area in an equitable and not unduly discriminatory manner. The Participating TO shall exercise Reasonable Efforts to provide the Interconnection Customer with such schedules at least one (1) day in advance, and the CAISO or Participating TO may make changes to such schedules as necessary to maintain the reliability of the CAISO Controlled Grid or the Participating TO's electric system. The Interconnection Customer shall operate the Electric Generating Unit to maintain the specified output voltage or power factor within the design limitations of the Electric Generating Unit set forth in Article 9.6.1 (Power Factor Design Criteria), and as may be required by the CAISO to operate the Electric Generating Unit at a specific voltage schedule within the design limitations set forth in Article 9.6.1. If the Interconnection Customer is unable to maintain the specified voltage or power factor, it shall promptly notify the CAISO and the Participating TO.

9.6.2.1 Voltage Regulators. Whenever an Electric Generating Unit is operated in parallel with the CAISO Controlled Grid and voltage regulators are capable of operation, the Interconnection Customer shall operate the Electric Generating Unit with its voltage regulators in automatic operation. If the Electric Generating Unit's voltage regulators are not capable of such automatic operation, the Interconnection Customer shall immediately notify the CAISO and the Participating TO and ensure that the Electric Generating Unit operates as specified in Article 9.6.2 through manual operation and that such Electric Generating Unit's reactive power production or absorption (measured in MVARs) are within the design capability of the Electric Generating Unit(s) and steady state stability limits. The Interconnection Customer shall restore the speed governors and voltage regulators to automatic operation as soon as possible. If the Large Generating Facility's speed governors and voltage regulators are improperly tuned or malfunctioning, the CAISO shall have the right to order the reduction in output or disconnection of the Large Generating Facility if the reliability of the CAISO Controlled Grid would be adversely affected. The Interconnection Customer shall not cause its Large Generating Facility to disconnect automatically or instantaneously from the CAISO Controlled Grid or trip any Electric Generating Unit comprising the Large Generating Facility for an under or over frequency condition unless the abnormal frequency condition persists for a time period beyond the limits set forth in ANSI/IEEE Standard C37.106, or such other standard as applied to other generators in the Balancing Authority Area on a comparable basis.

9.6.3 Payment for Reactive Power. CAISO is required to pay the Interconnection Customer for reactive power that Interconnection Customer provides or absorbs from an Electric Generating Unit when the CAISO requests the Interconnection Customer to operate its Electric Generating Unit outside the range specified in Article 9.6.1, provided that if the CAISO pays other generators for reactive power service within the specified range, it must also pay the Interconnection Customer. Payments shall be pursuant to Article 11.6 or such other agreement to which the CAISO and Interconnection Customer have otherwise agreed.

9.6.4 Primary Frequency Response. Interconnection Customer shall ensure the primary frequency response capability of its Electric Generating Unit(s) by installing, maintaining, and operating a functioning governor or equivalent controls. The term "functioning governor or equivalent controls" as used herein shall mean the required hardware and/or software that provides frequency responsive real power control with the ability to sense changes in system frequency and autonomously adjust the Electric Generating Unit's real power output in accordance with the droop and

deadband parameters and in the direction needed to correct frequency deviations. Interconnection Customer is required to install a governor or equivalent controls with the capability of operating: (1) with a maximum 5 percent droop and ± 0.036 Hz deadband; or (2) in accordance with the relevant droop, deadband, and timely and sustained response settings from Applicable Reliability Standards providing for equivalent or more stringent parameters. The droop characteristic shall be: (1) based on the nameplate capacity of the Electric Generating Unit(s), and shall be linear in the range of frequencies between 59 to 61 Hz that are outside of the deadband parameter; or (2) based on Applicable Reliability Standards providing for an equivalent or more stringent parameter. The deadband parameter shall be: the range of frequencies above and below nominal (60 Hz) in which the governor or equivalent controls is not expected to adjust the Electric Generating Units' real power output in response to frequency deviations. The deadband shall be implemented: (1) without a step to the droop curve, that is, once the frequency deviation exceeds the deadband parameter, the expected change in the Electric Generating Units' real power output in response to frequency deviations shall start from zero and then increase (for under-frequency deviations) or decrease (for over-frequency deviations) linearly in proportion to the magnitude of the frequency deviation; or (2) in accordance with Applicable Reliability Standards providing for an equivalent or more stringent parameter. Interconnection Customer shall notify the CAISO that the primary frequency response capability of the Electric Generating Unit(s) has been tested and confirmed during commissioning. Once Interconnection Customer has synchronized the Electric Generating Unit(s) with the CAISO Controlled Grid, Interconnection Customer shall operate the Electric Generating Unit(s) consistent with the provisions specified in Sections 9.6.4.1 and 9.6.4.2 of this LGIA. The primary frequency response requirements contained herein shall apply to both synchronous and non-synchronous Large Generating Facilities.

9.6.4.1 Governor or Equivalent Controls. Whenever the Electric Generating Unit(s) is operated in parallel with the CAISO Controlled Grid, Interconnection Customer shall operate the Electric Generating Unit(s) with its governor or equivalent controls in service and responsive to frequency. Interconnection Customer shall, in coordination with the CAISO, set the deadband parameter to: (1) a maximum of ± 0.036 Hz and set the droop parameter to a maximum of 5 percent; or (2) implement the relevant droop and deadband settings from Applicable Reliability Standards that provides for equivalent or more stringent parameters. Interconnection Customer shall be required to provide the status and settings of the governor or equivalent controls to the CAISO upon request. If Interconnection Customer needs to operate the Electric Generating Unit(s) with its governor or equivalent controls

not in service, Interconnection Customer shall immediately notify the CAISO, and provide the following information: (1) the operating status of the governor or equivalent controls (i.e., whether it is currently out of service or when it will be taken out of service); (2) the reasons for removing the governor or equivalent controls from service; and (3) a reasonable estimate of when the governor or equivalent controls will be returned to service. Interconnection Customer shall make Reasonable Efforts to return its governor or equivalent controls into service as soon as practicable.

Interconnection Customer shall make Reasonable Efforts to keep outages of the Electric Generating Units' governor or equivalent controls to a minimum whenever the Electric Generating Unit(s) is operated in parallel with the CAISO Controlled Grid.

9.6.4.2 Timely and Sustained Response. Interconnection Customer shall ensure that the Electric Generating Units' real power response to sustained frequency deviations outside of the deadband setting is automatically provided and shall begin immediately after frequency deviates outside of the deadband, and to the extent the Electric Generating Unit(s) has operating capability in the direction needed to correct the frequency deviation. Interconnection Customer shall not block or otherwise inhibit the ability of the governor or equivalent controls to respond and shall ensure that the response is not inhibited, except under certain operational constraints including, but not limited to, ambient temperature limitations, physical energy limitations, outages of mechanical equipment, or regulatory requirements. The Electric Generating Unit(s) shall sustain the real power response at least until system frequency returns to a value within the deadband setting of the governor or equivalent controls. A FERC-approved Applicable Reliability Standard with equivalent or more stringent requirements shall supersede the above requirements.

9.6.4.3 Exemptions. Large Generating Facilities that are regulated by the Nuclear Regulatory Commission shall be exempt from Sections 9.6.4, 9.6.4.1, and 9.6.4.2 of this LGIA. Large Generating Facilities that are behind-the-meter generation that is sized-to-load (i.e., the thermal load and the generation are near-balanced in real-time operation and the generation is primarily controlled to maintain the unique thermal, chemical, or mechanical output necessary for the operating requirements of its host facility) shall be required to install primary frequency response capability in accordance with the droop and deadband capability requirements specified in Section 9.6.4, but shall be otherwise exempt from the operating requirements in Sections 9.6.4, 9.6.4.1, 9.6.4.2, and 9.6.4.4 of this LGIA.

9.6.4.4 Electric Storage Resources. Interconnection Customer interconnecting an electric storage resource shall establish an operating range in Appendix C of this LGIA that specifies a minimum state of charge and a maximum state of charge between which the electric storage resource will be required to provide primary frequency response consistent with the conditions set forth in Sections 9.6.4, 9.6.4.1, 9.6.4.2, and 9.6.4.3 of this LGIA. Appendix C shall specify whether the operating range is static or dynamic, and shall consider (1) the expected magnitude of frequency deviations in the interconnection; (2) the expected duration that system frequency will remain outside of the deadband parameter in the interconnection; (3) the expected incidence of frequency deviations outside of the deadband parameter in the interconnection; (4) the physical capabilities of the electric storage resource; (5) operational limitations of the electric storage resource due to manufacturer specifications; and (6) any other relevant factors agreed to by the CAISO and Interconnection Customer, and in consultation with the relevant transmission owner or balancing authority as appropriate. If the operating range is dynamic, then Appendix C must establish how frequently the operating range will be reevaluated and the factors that may be considered during its reevaluation.

Interconnection Customer's electric storage resource is required to provide timely and sustained primary frequency response consistent with Section 9.6.4.2 of this LGIA when it is online and dispatched to inject electricity to the CAISO Controlled Grid and/or receive electricity from the Participating TO's Transmission System or the CAISO Controlled Grid. This excludes circumstances when the electric storage resource is not dispatched to inject electricity to the CAISO Controlled Grid and/or dispatched to receive electricity from the Participating TO's Transmission system or the CAISO Controlled Grid. If Interconnection Customer's electric storage resource is charging at the time of a frequency deviation outside of its deadband parameter, it is to increase (for over-frequency deviations) or decrease (for under-frequency deviations) the rate at which it is charging in accordance with its droop parameter. Interconnection Customer's electric storage resource is not required to change from charging to discharging, or vice versa, unless the response necessitated by the droop and deadband settings requires it to do so and it is technically capable of making such a transition.

9.7 Outages and Interruptions.

9.7.1 Outages.

9.7.1.1 Outage Authority and Coordination. Each Party may in accordance with Good Utility Practice in coordination with the other Parties remove from service any of its respective Interconnection Facilities or Network Upgrades that may impact another Party's facilities as necessary to perform maintenance or testing or to install or replace equipment. Absent an Emergency Condition, the Party scheduling a removal of such facility(ies) from service will use Reasonable Efforts to schedule such removal on a date and time mutually acceptable to all Parties. In all circumstances any Party planning to remove such facility(ies) from service shall use Reasonable Efforts to minimize the effect on the other Parties of such removal.

9.7.1.2 Outage Schedules. The CAISO shall post scheduled outages of CAISO Controlled Grid facilities in accordance with the provisions of the CAISO Tariff. The Interconnection Customer shall submit its planned maintenance schedules for the Large Generating Facility to the CAISO in accordance with the CAISO Tariff. The Interconnection Customer shall update its planned maintenance schedules in accordance with the CAISO Tariff. The CAISO may request the Interconnection Customer to reschedule its maintenance as necessary to maintain the reliability of the CAISO Controlled Grid in accordance with the CAISO Tariff. Such planned maintenance schedules and updates and changes to such schedules shall be provided by the Interconnection Customer to the Participating TO concurrently with their submittal to the CAISO. The CAISO shall compensate the Interconnection Customer for any additional direct costs that the Interconnection Customer incurs as a result of having to reschedule maintenance in accordance with the CAISO Tariff. The Interconnection Customer will not be eligible to receive compensation, if during the twelve (12) months prior to the date of the scheduled maintenance, the Interconnection Customer had modified its schedule of maintenance activities.

9.7.1.3 Outage Restoration. If an outage on a Party's Interconnection Facilities or Network Upgrades adversely affects another Party's operations or facilities, the Party that owns or controls the facility that is out of service shall use Reasonable Efforts to promptly restore such facility(ies) to a normal operating condition consistent with the nature of the outage. The Party that owns or controls the facility that is out of service shall provide the other Parties, to the extent such information is known, information

on the nature of the Emergency Condition, if the outage is caused by an Emergency Condition, an estimated time of restoration, and any corrective actions required. Initial verbal notice shall be followed up as soon as practicable with written notice explaining the nature of the outage, if requested by a Party, which may be provided by e-mail or facsimile.

9.7.2 Interruption of Service. If required by Good Utility Practice to do so, the CAISO or the Participating TO may require the Interconnection Customer to interrupt or reduce deliveries of electricity if such delivery of electricity could adversely affect the CAISO's or the Participating TO's ability to perform such activities as are necessary to safely and reliably operate and maintain the Participating TO's electric system or the CAISO Controlled Grid. The following provisions shall apply to any interruption or reduction permitted under this Article 9.7.2:

9.7.2.1 The interruption or reduction shall continue only for so long as reasonably necessary under Good Utility Practice;

9.7.2.2 Any such interruption or reduction shall be made on an equitable, non-discriminatory basis with respect to all generating facilities directly connected to the CAISO Controlled Grid, subject to any conditions specified in this LGIA;

9.7.2.3 When the interruption or reduction must be made under circumstances which do not allow for advance notice, the CAISO or Participating TO, as applicable, shall notify the Interconnection Customer by telephone as soon as practicable of the reasons for the curtailment, interruption, or reduction, and, if known, its expected duration. Telephone notification shall be followed by written notification, if requested by the Interconnection Customer, as soon as practicable;

9.7.2.4 Except during the existence of an Emergency Condition, the CAISO or Participating TO shall notify the Interconnection Customer in advance regarding the timing of such interruption or reduction and further notify the Interconnection Customer of the expected duration. The CAISO or Participating TO shall coordinate with the Interconnection Customer using Good Utility Practice to schedule the interruption or reduction during periods of least impact to the Interconnection Customer, the CAISO, and the Participating TO;

9.7.2.5 The Parties shall cooperate and coordinate with each other to the extent necessary in order to restore the Large Generating Facility, Interconnection Facilities, the Participating TO's

Transmission System, and the CAISO Controlled Grid to their normal operating state, consistent with system conditions and Good Utility Practice.

9.7.3 Under-Frequency and Over Frequency Conditions. The CAISO Controlled Grid is designed to automatically activate a load-shed program as required by Applicable Reliability Standards and the Applicable Reliability Council in the event of an under-frequency system disturbance. The Interconnection Customer shall implement under-frequency and over-frequency protection set points for the Large Generating Facility as required by Applicable Reliability Standards and the Applicable Reliability Council to ensure “ride through” capability. Large Generating Facility response to frequency deviations of pre-determined magnitudes, both under-frequency and over-frequency deviations, shall be studied and coordinated with the Participating TO and CAISO in accordance with Good Utility Practice. The term “ride through” as used herein shall mean the ability of a Generating Facility to stay connected to and synchronized with the CAISO Controlled Grid during system disturbances within a range of under-frequency and over-frequency conditions, in accordance with Good Utility Practice. Asynchronous Generating Facilities shall be subject to frequency ride through capability requirements in accordance with Appendix H to this LGIA.

9.7.4 System Protection and Other Control Requirements.

9.7.4.1 System Protection Facilities. The Interconnection Customer shall, at its expense, install, operate and maintain System Protection Facilities as a part of the Large Generating Facility or the Interconnection Customer’s Interconnection Facilities. The Participating TO shall install at the Interconnection Customer’s expense any System Protection Facilities that may be required on the Participating TO’s Interconnection Facilities or the Participating TO’s Transmission System as a result of the interconnection of the Large Generating Facility and the Interconnection Customer’s Interconnection Facilities.

9.7.4.2 The Participating TO’s and Interconnection Customer’s protection facilities shall be designed and coordinated with other systems in accordance with Applicable Reliability Standards, Applicable Reliability Council criteria, and Good Utility Practice.

9.7.4.3 The Participating TO and Interconnection Customer shall each be responsible for protection of its facilities consistent with Good Utility Practice.

9.7.4.4 The Participating TO's and Interconnection Customer's protective relay design shall incorporate the necessary test switches to perform the tests required in Article 6. The required test switches will be placed such that they allow operation of lockout relays while preventing breaker failure schemes from operating and causing unnecessary breaker operations and/or the tripping of the Interconnection Customer's Electric Generating Units.

9.7.4.5 The Participating TO and Interconnection Customer will test, operate and maintain System Protection Facilities in accordance with Good Utility Practice and, if applicable, the requirements of the Participating TO's Interconnection Handbook.

9.7.4.6 Prior to the in-service date, and again prior to the Commercial Operation Date, the Participating TO and Interconnection Customer or their agents shall perform a complete calibration test and functional trip test of the System Protection Facilities. At intervals suggested by Good Utility Practice, the standards and procedures of the Participating TO, including, if applicable, the requirements of the Participating TO's Interconnection Handbook, and following any apparent malfunction of the System Protection Facilities, each Party shall perform both calibration and functional trip tests of its System Protection Facilities. These tests do not require the tripping of any in-service generation unit. These tests do, however, require that all protective relays and lockout contacts be activated.

9.7.5 Requirements for Protection. In compliance with Good Utility Practice and, if applicable, the requirements of the Participating TO's Interconnection Handbook, the Interconnection Customer shall provide, install, own, and maintain relays, circuit breakers and all other devices necessary to remove any fault contribution of the Large Generating Facility to any short circuit occurring on the Participating TO's Transmission System not otherwise isolated by the Participating TO's equipment, such that the removal of the fault contribution shall be coordinated with the protective requirements of the Participating TO's Transmission System. Such protective equipment shall include, without limitation, a disconnecting device with fault current-interrupting capability located between the Large Generating Facility and the Participating TO's Transmission System at a site selected upon mutual agreement (not to be unreasonably withheld, conditioned or delayed) of the Parties. The Interconnection Customer shall be responsible for protection of the Large Generating Facility and the Interconnection Customer's other equipment from such conditions as negative sequence currents, over- or under-frequency, sudden load rejection, over- or under-voltage, and generator

loss-of-field. The Interconnection Customer shall be solely responsible to disconnect the Large Generating Facility and the Interconnection Customer's other equipment if conditions on the CAISO Controlled Grid could adversely affect the Large Generating Facility.

9.7.6 Power Quality. Neither the Participating TO's nor the Interconnection Customer's facilities shall cause excessive voltage flicker nor introduce excessive distortion to the sinusoidal voltage or current waves as defined by ANSI Standard C84.1-1989, in accordance with IEEE Standard 519, any applicable superseding electric industry standard, or any alternative Applicable Reliability Standard or Applicable Reliability Council standard. In the event of a conflict among ANSI Standard C84.1-1989, any applicable superseding electric industry standard, or any alternative Applicable Reliability Standard or Applicable Reliability Council standard, the alternative Applicable Reliability Standard or Applicable Reliability Council standard shall control.

9.8 Switching and Tagging Rules. Each Party shall provide the other Parties a copy of its switching and tagging rules that are applicable to the other Parties' activities. Such switching and tagging rules shall be developed on a non-discriminatory basis. The Parties shall comply with applicable switching and tagging rules, as amended from time to time, in obtaining clearances for work or for switching operations on equipment.

9.9 Use of Interconnection Facilities by Third Parties.

9.9.1 Purpose of Interconnection Facilities. Except as may be required by Applicable Laws and Regulations, or as otherwise agreed to among the Parties, the Interconnection Facilities shall be constructed for the sole purpose of interconnecting the Large Generating Facility to the Participating TO's Transmission System and shall be used for no other purpose.

9.9.2 Third Party Users. If required by Applicable Laws and Regulations or if the Parties mutually agree, such agreement not to be unreasonably withheld, to allow one or more third parties to use the Participating TO's Interconnection Facilities, or any part thereof, the Interconnection Customer will be entitled to compensation for the capital expenses it incurred in connection with the Interconnection Facilities based upon the pro rata use of the Interconnection Facilities by the Participating TO, all third party users, and the Interconnection Customer, in accordance with Applicable Laws and Regulations or upon some other mutually-agreed upon methodology. In addition, cost responsibility for ongoing costs, including operation and maintenance costs associated with the Interconnection Facilities, will be allocated between the Interconnection Customer and any third party users based upon the pro rata use of the



Interconnection Facilities by the Participating TO, all third party users, and the Interconnection Customer, in accordance with Applicable Laws and Regulations or upon some other mutually agreed upon methodology. If the issue of such compensation or allocation cannot be resolved through such negotiations, it shall be submitted to FERC for resolution.

- 9.10 Disturbance Analysis Data Exchange.** The Parties will cooperate with one another in the analysis of disturbances to either the Large Generating Facility or the CAISO Controlled Grid by gathering and providing access to any information relating to any disturbance, including information from oscillography, protective relay targets, breaker operations and sequence of events records, and any disturbance information required by Good Utility Practice.

ARTICLE 10. MAINTENANCE

- 10.1 Participating TO Obligations.** The Participating TO shall maintain the Participating TO's Transmission System and the Participating TO's Interconnection Facilities in a safe and reliable manner and in accordance with this LGIA.
- 10.2 Interconnection Customer Obligations.** The Interconnection Customer shall maintain the Large Generating Facility and the Interconnection Customer's Interconnection Facilities in a safe and reliable manner and in accordance with this LGIA.
- 10.3 Coordination.** The Parties shall confer regularly to coordinate the planning, scheduling and performance of preventive and corrective maintenance on the Large Generating Facility and the Interconnection Facilities.
- 10.4 Secondary Systems.** The Participating TO and Interconnection Customer shall cooperate with the other Parties in the inspection, maintenance, and testing of control or power circuits that operate below 600 volts, AC or DC, including, but not limited to, any hardware, control or protective devices, cables, conductors, electric raceways, secondary equipment panels, transducers, batteries, chargers, and voltage and current transformers that directly affect the operation of a Party's facilities and equipment which may reasonably be expected to impact the other Parties. Each Party shall provide advance notice to the other Parties before undertaking any work on such circuits, especially on electrical circuits involving circuit breaker trip and close contacts, current transformers, or potential transformers.
- 10.5 Operating and Maintenance Expenses.** Subject to the provisions herein addressing the use of facilities by others, and except for operations and maintenance expenses associated with modifications made for providing interconnection or transmission service to a third party and such third party pays for such expenses, the Interconnection Customer shall be responsible for all

reasonable expenses including overheads, associated with: (1) owning, operating, maintaining, repairing, and replacing the Interconnection Customer's Interconnection Facilities; and (2) operation, maintenance, repair and replacement of the Participating TO's Interconnection Facilities.

ARTICLE 11. PERFORMANCE OBLIGATION

- 11.1 Interconnection Customer's Interconnection Facilities.** The Interconnection Customer shall design, procure, construct, install, own and/or control the Interconnection Customer's Interconnection Facilities described in Appendix A at its sole expense.
- 11.2 Participating TO's Interconnection Facilities.** The Participating TO shall design, procure, construct, install, own and/or control the Participating TO's Interconnection Facilities described in Appendix A at the sole expense of the Interconnection Customer. Unless the Participating TO elects to fund the capital for the Participating TO's Interconnection Facilities, they shall be solely funded by the Interconnection Customer.
- 11.3 Network Upgrades and Distribution Upgrades.** The Participating TO shall design, procure, construct, install, and own the Network Upgrades and Distribution Upgrades described in Appendix A, except for Stand Alone Network Upgrades, which will be constructed, and if agreed to by the Parties owned by the Interconnection Customer, and Merchant Network Upgrades. The Interconnection Customer shall be responsible for all costs related to Distribution Upgrades. Network Upgrades shall be funded by the Interconnection Customer, which for Interconnection Customers processed under Section 6 of the GIDAP (in Queue Clusters) shall be in an amount determined pursuant to the methodology set forth in Section 6.3 of the GIDAP. This specific amount is set forth in Appendix G to this LGIA. For costs associated with Area Delivery Network Upgrades, any amounts set forth in Appendix G will be advisory estimates only, and will not operate to establishing any cap or Maximum Cost Exposure on the cost responsibility of the Interconnection Customer for Area Delivery Network Upgrades.
- 11.4 Transmission Credits.** No later than thirty (30) Calendar Days prior to the Commercial Operation Date, the Interconnection Customer may make a one-time election by written notice to the CAISO and the Participating TO to (a) receive Congestion Revenue Rights as defined in and as available under the CAISO Tariff at the time of the election in accordance with the CAISO Tariff, in lieu of a repayment of the cost of Network Upgrades in accordance with Article 11.4.1, and/or (b) decline all or part of a refund of the cost of Network Upgrades entitled to the Interconnection Customer in accordance with Article 11.4.1.

11.4.1 Repayment of Amounts Advanced for Network Upgrades.

11.4.1.1 Repayment of Amounts Advanced Regarding Non-Phased Generating Facilities

An Interconnection Customer with a non-Phased Generating Facility in Queue Cluster 5 or earlier, or an Interconnection Customer in the Independent Study Process or the Fast Track Process that has been tendered a Generator Interconnection Agreement before December 19, 2014, shall be entitled to a repayment for the Interconnection Customer's contribution to the cost of Network Upgrades commencing upon the Commercial Operation Date of its Generating Facility.

An Interconnection Customer with a non-Phased Generating Facility in Queue Cluster 6 or later, or an Interconnection Customer in the Independent Study Process or the Fast Track Process that has not been tendered an Interconnection Agreement before December 19, 2014, shall be entitled to repayment for the Interconnection Customer's contribution to the cost of Network Upgrades placed in service on or before the Commercial Operation Date of its Generating Facility, commencing upon the Commercial Operation Date of the Generating Facility. Repayment for the Interconnection Customer's contribution to the cost of Network Upgrades placed into service after the Commercial Operation Date of its Generating Facility shall, for each of these Network Upgrades, commence no later than the later of: (i) the first month of the calendar year following the year in which the Network Upgrade is placed into service or (ii) 90 days after the Network Upgrade is placed into service.

An Interconnection Customer subject to this Article 11.4.1.1 shall be entitled to repayment for its contribution to the cost of Network Upgrades as follows:

- (a) For Reliability Network Upgrades, the Interconnection Customer shall be entitled to a repayment of the amount paid by the Interconnection Customer for Reliability Network Upgrades as set forth in Appendix G, up to a maximum amount established in Section 14.3.2.1 of the GIDAP. For purposes of this determination, generating capacity will be based on the capacity of the Interconnection Customer's Generating Facility at the time it achieves Commercial Operation. To the extent that such repayment does not cover all of the costs of Interconnection Customer's Reliability Network Upgrades, the Interconnection Customer shall receive Merchant Transmission CRRs for that portion of its Reliability Network Upgrades that are not covered by cash repayment.

- (b) For Local Delivery Network Upgrades:
- i. If the Interconnection Customer is an Option (B) Interconnection Customer and has been allocated and continues to be eligible to receive TP Deliverability pursuant to the GIDAP, the Interconnection Customer shall be entitled to repayment of a portion of the total amount paid to the Participating TO for the costs of Local Delivery Network Upgrades for which it is responsible, as set forth in Appendix G. The repayment amount shall be determined by dividing the amount of TP Deliverability received by the amount of deliverability requested by the Interconnection Customer, and multiplying that percentage by the total amount paid to the Participating TO by the Interconnection Customer for Local Delivery Network Upgrades.
 - ii. If the Generating Facility is an Option (B) Generating Facility and has not been allocated any TP Deliverability, the Interconnection Customer shall not be entitled to repayment for the costs of Local Delivery Network Upgrades.
 - iii. If the Generating Facility is an Option (A) Generating Facility, the Interconnection Customer shall be entitled to a repayment equal to the total amount paid to the Participating TO for the costs of Local Delivery Network Upgrades for which it is responsible, as set forth in Appendix G.
- (c) For Area Delivery Network Upgrades, the Interconnection Customer shall not be entitled to repayment for the costs of Area Delivery Network Upgrades.
- (d) If an Interconnection Customer having a Option (B) Generating Facility, and is eligible, to construct and own Network Upgrades pursuant to the Merchant Option set forth in Article 5.15 of this LGIA, then the Interconnection Customer shall not be entitled to any repayment pursuant to this LGIA.
- (e) For Local Off-Peak Network Upgrades, the Interconnection Customer will be entitled to a repayment equal to the total amount paid to the Participating TO for the costs of Local Delivery Network Upgrades for which it is responsible, as set forth in Appendix G.

Unless an Interconnection Customer has provided written notice to the CAISO that it is declining all or part of such repayment, such amounts shall include any tax gross-up or other tax-related payments associated with Network Upgrades not refunded to the

Interconnection Customer pursuant to Article 5.17.8 or otherwise, and shall be paid to the Interconnection Customer by the Participating TO on a dollar-for-dollar basis either through (1) direct payments made on a levelized basis over the five-year period commencing on the applicable date as provided for in this Article 11.4.1.1; or (2) any alternative payment schedule that is mutually agreeable to the Interconnection Customer and Participating TO, provided that such amount is paid within five (5) years of the applicable commencement date. Notwithstanding the foregoing, if this LGIA terminates within five (5) years of the applicable commencement date, the Participating TO's obligation to pay refunds to the Interconnection Customer shall cease as of the date of termination.

- (f) Where the Interconnection Customer finances the construction of Network Upgrades for more than one Participating TO, the cost allocation, Interconnection Financial Security, and repayment will be conducted pursuant to Section 14.4.1 of the GIDAP, and set forth in Appendix G.

11.4.1.2 Repayment of Amounts Advanced Regarding Phased Generating Facilities

Upon the Commercial Operation Date of each phase of a Phased Generating Facility, the Interconnection Customer shall be entitled to a repayment equal to the Interconnection Customer's contribution to the cost of Network Upgrades for that completed phase for which the Interconnection Customer is responsible, as set forth in Appendix G, subject to the limitations specified in Article 11.4.1.1, if the following conditions are satisfied as described below:

- (a) The Generating Facility is capable of being constructed in phases;
- (b) The Generating Facility is specified in the LGIA as being constructed in phases;
- (c) The completed phase corresponds to one of the phases specified in the LGIA;
- (d) The phase has achieved Commercial Operation and the Interconnection Customer has tendered notice of the same pursuant to this LGIA;
- (e) All Parties to the LGIA have confirmed that the completed phase meets the requirements set forth in this LGIA and any other



operating, metering, and interconnection requirements to permit generation output of the entire capacity of the completed phase as specified in this LGIA;

- (f) The Network Upgrades necessary for the completed phase to meet the desired level of deliverability are in service; and
- (g) The Interconnection Customer has posted one hundred (100) percent of the Interconnection Financial Security required for the Network Upgrades for all the phases of the Generating Facility (or if less than one hundred (100) percent has been posted, then all required Financial Security Instruments to the date of commencement of repayment).

Following satisfaction of these conditions (a) through (g), an Interconnection Customer in a Queue Cluster earlier than Queue Cluster 5, or an Interconnection Customer in the Independent Study Process or the Fast Track Process that has been tendered a Generator Interconnection Agreement before December 19, 2014, shall be entitled to receive a partial repayment of its financed cost responsibility, to the extent that it is otherwise eligible for such repayment per Article 11.4.1.1, in an amount equal to the percentage of the Generating Facility declared to be in Commercial Operation multiplied by the cost of the Network Upgrades associated with the completed phase. The Interconnection Customer shall be entitled to repayment in this manner for each completed phase until the entire Generating Facility is completed.

Following satisfaction of these conditions (a) through (e) and (g), an Interconnection Customer in Queue Cluster 6 or a later Queue Cluster, or an Interconnection Customer in the Independent Study Process or the Fast Track Process that has not been tendered a Generator Interconnection Agreement before December 19, 2014, shall be entitled to receive a repayment of its financed cost responsibility for the Network Upgrades associated with the completed phase that have been placed in service. The Interconnection Customer shall be entitled to repayment in this manner for each completed phase until the entire Generating Facility is completed. With respect to any Network Upgrades necessary for a completed phase to meet its desired level of deliverability that are not in service by the time the phase achieves Commercial Operation, repayment for each such Network Upgrade will commence no later than the later of: (i) the first month of the calendar year following the year in which the Network Upgrade is placed into service or (ii) 90 days after the Network Upgrade is placed into service.

A reduction in the electrical output (MW capacity) of the Generating Facility pursuant to the CAISO Tariff shall not diminish the Interconnection

Customer's right to repayment pursuant to this LGIA Article 11.4.1.2. If the LGIA includes a partial termination provision and the partial termination right has been exercised with regard to a phase that has not been built, then the Interconnection Customer's eligibility for repayment under this Article 11.4.1.2 as to the remaining phases shall not be diminished. If the Interconnection Customer completes one or more phases and then breaches the LGIA, the Participating TO and the CAISO shall be entitled to offset any losses or damages resulting from the Breach against any repayments made for Network Upgrades related to the completed phases.

Any repayment amount provided pursuant to this Article 11.4.1.2 shall include any tax gross-up or other tax-related payments associated with Network Upgrades not refunded to the Interconnection Customer pursuant to Article 5.17.8 or otherwise, and shall be paid to the Interconnection Customer by the Participating TO on a dollar-for-dollar basis either through (1) direct payments made on a levelized basis over the five-year period commencing on the applicable as provided for in this Article 11.4.1.2; or (2) any alternative payment schedule that is mutually agreeable to the Interconnection Customer and Participating TO, provided that such amount is paid within five (5) years of the applicable commencement date. Notwithstanding the foregoing, if this LGIA terminates within five (5) years of the applicable commencement date, the Participating TO's obligation to pay refunds to the Interconnection Customer shall cease as of the date of termination.

11.4.1.3 Interest Payments and Assignment Rights

Any phased or non-phased repayment shall include interest calculated in accordance with the methodology set forth in FERC's regulations at 18 C.F.R. §35.19a(a)(2)(iii) from the date of any payment for Network Upgrades through the date on which the Interconnection Customer receives a repayment of such payment. Interest shall continue to accrue on the repayment obligation so long as this LGIA is in effect. The Interconnection Customer may assign such repayment rights to any entity.

11.4.1.4 Failure to Achieve Commercial Operation

If the Large Generating Facility fails to achieve Commercial Operation, but it or another generating facility is later constructed and makes use of the Network Upgrades, the Participating TO shall at that time reimburse Interconnection Customer for the amounts advanced for the Network Upgrades. Before any such reimbursement can occur, the Interconnection Customer, or the entity that ultimately constructs the

generating facility, if different, is responsible for identifying and demonstrating to the Participating TO the appropriate entity to which reimbursement must be made in order to implement the intent of this reimbursement obligation.

11.4.2 Special Provisions for Affected Systems. The Interconnection Customer shall enter into an agreement with the owner of the Affected System and/or other affected owners of portions of the CAISO Controlled Grid, as applicable, in accordance with the GIDAP. Such agreement shall specify the terms governing payments to be made by the Interconnection Customer to the owner of the Affected System and/or other affected owners of portions of the CAISO Controlled Grid as well as the repayment by the owner of the Affected System and/or other affected owners of portions of the CAISO Controlled Grid. In no event shall the Participating TO be responsible for the repayment for any facilities that are not part of the Participating TO's Transmission System. In the event the Participating TO is a joint owner with an Affected System or with any other co-owner of a facility affected by the Large Generating Facility, the Participating TO's obligation to reimburse the Interconnection Customer for payments made to address the impacts of the Large Generating Facility on the system shall not exceed the proportionate amount of the cost of any upgrades attributable to the proportion of the jointly-owned facility owned by the Participating TO.

11.4.3 Notwithstanding any other provision of this LGIA, nothing herein shall be construed as relinquishing or foreclosing any rights, including but not limited to firm transmission rights, capacity rights, Congestion Revenue Rights, or transmission credits, that the Interconnection Customer shall be entitled to, now or in the future under any other agreement or tariff as a result of, or otherwise associated with, the transmission capacity, if any, created by the Network Upgrades, including the right to obtain cash reimbursements, merchant transmission Congestion Revenue Rights in accordance with Section 36.11 of the CAISO Tariff, or transmission credits for transmission service that is not associated with the Large Generating Facility.

11.5 Provision of Interconnection Financial Security. The Interconnection Customer is obligated to provide all necessary Interconnection Financial Security required under Section 11 of the GIDAP in a manner acceptable under Section 11 of the GIDAP. Failure by the Interconnection Customer to timely satisfy the GIDAP's requirements for the provision of Interconnection Financial Security shall be deemed a breach of this Agreement and a condition of Default of this Agreement.

11.5.1 Notwithstanding any other provision of this Agreement for notice of Default and opportunity to cure such Default, the CAISO or the Participating TO



shall provide the Interconnection Customer with written notice of any Default due to timely failure to post Interconnection Financial Security, and the Interconnection Customer shall have five (5) Business Days from the date of such notice to cure such Default by posting the required Interconnection Financial Security. If the Interconnection Customer fails to cure the Default, then this Agreement shall be deemed terminated.

11.6 Interconnection Customer Compensation. If the CAISO requests or directs the Interconnection Customer to provide a service pursuant to Articles 9.6.3 (Payment for Reactive Power) or 13.5.1 of this LGIA, the CAISO shall compensate the Interconnection Customer in accordance with the CAISO Tariff.

11.6.1 Interconnection Customer Compensation for Actions During Emergency Condition. The CAISO shall compensate the Interconnection Customer in accordance with the CAISO Tariff for its provision of real and reactive power and other Emergency Condition services that the Interconnection Customer provides to support the CAISO Controlled Grid during an Emergency Condition in accordance with Article 11.6.

ARTICLE 12. INVOICE

12.1 General. The Participating TO shall submit to the Interconnection Customer, on a monthly basis, invoices of amounts due pursuant to this LGIA for the preceding month. Each invoice shall state the month to which the invoice applies and fully describe the services and equipment provided. The Parties may discharge mutual debts and payment obligations due and owing to each other on the same date through netting, in which case all amounts a Party owes to the other Party under this LGIA, including interest payments or credits, shall be netted so that only the net amount remaining due shall be paid by the owing Party. Notwithstanding the foregoing, any invoices between the CAISO and another Party shall be submitted and paid in accordance with the CAISO Tariff.

12.2 Final Invoice. As soon as reasonably practicable, but within twelve months after completion of the construction of the Participating TO's Interconnection Facilities, Network Upgrades, and Distribution Upgrades, the Participating TO shall provide an invoice of the final cost of the construction of the Participating TO's Interconnection Facilities, Network Upgrades, and Distribution Upgrades, and shall set forth such costs in sufficient detail to enable the Interconnection Customer to compare the actual costs with the estimates and to ascertain deviations, if any, from the cost estimates. With respect to costs associated with the Participating TO's Interconnection Facilities and Distribution Upgrades, the Participating TO shall refund to the Interconnection Customer any amount by which the actual payment by the Interconnection Customer for estimated costs exceeds the actual costs of construction within thirty (30) Calendar Days of the issuance of such final construction invoice; or, in the event the actual costs of

construction exceed the Interconnection Customer's actual payment for estimated costs, then the Interconnection Customer shall pay to the Participating TO any amount by which the actual costs of construction exceed the actual payment by the Interconnection Customer for estimated costs within thirty (30) Calendar Days of the issuance of such final construction invoice. With respect to costs associated with Network Upgrades, the Participating TO shall refund to the Interconnection Customer any amount by which the actual payment by the Interconnection Customer for estimated costs exceeds the actual costs of construction multiplied by the Interconnection Customer's percentage share of those costs, as set forth in Appendix G to this LGIA within thirty (30) Calendar Days of the issuance of such final construction invoice. In the event the actual costs of construction multiplied by the Interconnection Customer's percentage share of those costs exceed the Interconnection Customer's actual payment for estimated costs, then the Participating TO shall recover such difference through its transmission service rates.

12.3 Payment. Invoices shall be rendered to the Interconnection Customer at the address specified in Appendix F. The Interconnection Customer shall pay, or Participating TO shall refund, the amounts due within thirty (30) Calendar Days of the Interconnection Customer's receipt of the invoice. All payments shall be made in immediately available funds payable to the Interconnection Customer or Participating TO, or by wire transfer to a bank named and account designated by the invoicing Interconnection Customer or Participating TO. Payment of invoices by any Party will not constitute a waiver of any rights or claims any Party may have under this LGIA.

12.4 Disputes. In the event of a billing dispute between the Interconnection Customer and the Participating TO, the Participating TO and the CAISO shall continue to provide Interconnection Service under this LGIA as long as the Interconnection Customer: (i) continues to make all payments not in dispute; and (ii) pays to the Participating TO or into an independent escrow account the portion of the invoice in dispute, pending resolution of such dispute. If the Interconnection Customer fails to meet these two requirements for continuation of service, then the Participating TO may provide notice to the Interconnection Customer of a Default pursuant to Article 17. Within thirty (30) Calendar Days after the resolution of the dispute, the Party that owes money to the other Party shall pay the amount due with interest calculated in accordance with the methodology set forth in FERC's Regulations at 18 C.F.R. § 35.19a(a)(2)(iii). Notwithstanding the foregoing, any billing dispute between the CAISO and another Party shall be resolved in accordance with the provisions of Article 27 of this LGIA.

ARTICLE 13. EMERGENCIES

13.1 [Reserved]

13.2 Obligations. Each Party shall comply with the Emergency Condition procedures of the CAISO, NERC, the Applicable Reliability Council, Applicable Reliability Standards, Applicable Laws and Regulations, and any emergency procedures set forth in this LGIA.

13.3 Notice. The Participating TO or the CAISO shall notify the Interconnection Customer promptly when it becomes aware of an Emergency Condition that affects the Participating TO's Interconnection Facilities or Distribution System or the CAISO Controlled Grid, respectively, that may reasonably be expected to affect the Interconnection Customer's operation of the Large Generating Facility or the Interconnection Customer's Interconnection Facilities. The Interconnection Customer shall notify the Participating TO and the CAISO promptly when it becomes aware of an Emergency Condition that affects the Large Generating Facility or the Interconnection Customer's Interconnection Facilities that may reasonably be expected to affect the CAISO Controlled Grid or the Participating TO's Interconnection Facilities. To the extent information is known, the notification shall describe the Emergency Condition, the extent of the damage or deficiency, the expected effect on the operation of the Interconnection Customer's or Participating TO's facilities and operations, its anticipated duration and the corrective action taken and/or to be taken. The initial notice shall be followed as soon as practicable with written notice, if requested by a Party, which may be provided by electronic mail or facsimile, or in the case of the CAISO may be publicly posted on the CAISO's internet web site.

13.4 Immediate Action. Unless, in the Interconnection Customer's reasonable judgment, immediate action is required, the Interconnection Customer shall obtain the consent of the CAISO and the Participating TO, such consent to not be unreasonably withheld, prior to performing any manual switching operations at the Large Generating Facility or the Interconnection Customer's Interconnection Facilities in response to an Emergency Condition declared by the Participating TO or CAISO or in response to any other emergency condition.

13.5 CAISO and Participating TO Authority.

13.5.1 General. The CAISO and Participating TO may take whatever actions or inactions, including issuance of dispatch instructions, with regard to the CAISO Controlled Grid or the Participating TO's Interconnection Facilities or Distribution System they deem necessary during an Emergency Condition in order to (i) preserve public health and safety, (ii) preserve the reliability of the CAISO Controlled Grid or the Participating TO's Interconnection Facilities or Distribution System, (iii) limit or prevent damage, and (iv) expedite restoration of service.

The Participating TO and the CAISO shall use Reasonable Efforts to minimize the effect of such actions or inactions on the Large Generating Facility or the Interconnection Customer's Interconnection Facilities. The Participating TO or the CAISO may, on the basis of technical considerations, require the Large Generating Facility to mitigate an Emergency Condition by taking actions necessary and limited in scope to remedy the Emergency Condition, including, but not limited to, directing the Interconnection Customer to shut-down, start-up, increase or decrease the real or reactive power output of the Large Generating Facility; implementing a reduction or disconnection pursuant to Article 13.5.2; directing the Interconnection Customer to assist with black start (if available) or restoration efforts; or altering the outage schedules of the Large Generating Facility and the Interconnection Customer's Interconnection Facilities. Interconnection Customer shall comply with all of the CAISO's Dispatch Instructions and Operating Instructions and Participating TO's dispatch instructions or Operating Instructions concerning Large Generating Facility real power and reactive power output within the manufacturer's design limitations of the Large Generating Facility's equipment that is in service and physically available for operation at the time, in compliance with Applicable Laws and Regulations.

13.5.2 Reduction and Disconnection. The Participating TO or the CAISO may reduce Interconnection Service or disconnect the Large Generating Facility or the Interconnection Customer's Interconnection Facilities when such reduction or disconnection is necessary under Good Utility Practice due to Emergency Conditions. These rights are separate and distinct from any right of curtailment of the CAISO pursuant to the CAISO Tariff. When the CAISO or Participating TO can schedule the reduction or disconnection in advance, the CAISO or Participating TO shall notify the Interconnection Customer of the reasons, timing and expected duration of the reduction or disconnection. The CAISO or Participating TO shall coordinate with the Interconnection Customer using Good Utility Practice to schedule the reduction or disconnection during periods of least impact to the Interconnection Customer and the CAISO and Participating TO. Any reduction or disconnection shall continue only for so long as reasonably necessary under Good Utility Practice. The Parties shall cooperate with each other to restore the Large Generating Facility, the Interconnection Facilities, and the CAISO Controlled Grid to their normal operating state as soon as practicable consistent with Good Utility Practice.

13.6 Interconnection Customer Authority. Consistent with Good Utility Practice, this LGIA, and the CAISO Tariff, the Interconnection Customer may take actions or inactions with regard to the Large Generating Facility or the Interconnection Customer's Interconnection Facilities during an Emergency Condition in order to (i) preserve public health and safety, (ii) preserve the reliability of the Large



Generating Facility or the Interconnection Customer's Interconnection Facilities, (iii) limit or prevent damage, and (iv) expedite restoration of service. Interconnection Customer shall use Reasonable Efforts to minimize the effect of such actions or inactions on the CAISO Controlled Grid and the Participating TO's Interconnection Facilities. The CAISO and Participating TO shall use Reasonable Efforts to assist Interconnection Customer in such actions.

- 13.7 Limited Liability.** Except as otherwise provided in Article 11.6.1 of this LGIA, no Party shall be liable to any other Party for any action it takes in responding to an Emergency Condition so long as such action is made in good faith and is consistent with Good Utility Practice.

ARTICLE 14. REGULATORY REQUIREMENTS AND GOVERNING LAWS

- 14.1 Regulatory Requirements.** Each Party's obligations under this LGIA shall be subject to its receipt of any required approval or certificate from one or more Governmental Authorities in the form and substance satisfactory to the applying Party, or the Party making any required filings with, or providing notice to, such Governmental Authorities, and the expiration of any time period associated therewith. Each Party shall in good faith seek and use its Reasonable Efforts to obtain such other approvals. Nothing in this LGIA shall require the Interconnection Customer to take any action that could result in its inability to obtain, or its loss of, status or exemption under the Federal Power Act or the Public Utility Holding Company Act of 1935, as amended, or the Public Utility Regulatory Policies Act of 1978, or the Energy Policy Act of 2005.

14.2 Governing Law.

14.2.1 The validity, interpretation and performance of this LGIA and each of its provisions shall be governed by the laws of the state where the Point of Interconnection is located, without regard to its conflicts of law principles.

14.2.2 This LGIA is subject to all Applicable Laws and Regulations.

14.2.3 Each Party expressly reserves the right to seek changes in, appeal, or otherwise contest any laws, orders, rules, or regulations of a Governmental Authority.

ARTICLE 15. NOTICES

- 15.1 General.** Unless otherwise provided in this LGIA, any notice, demand or request required or permitted to be given by a Party to another and any instrument required or permitted to be tendered or delivered by a Party in writing to another shall be effective when delivered and may be so given, tendered or delivered, by recognized national courier, or by depositing the same with the United States Postal Service with postage prepaid, for delivery by certified or registered mail,



addressed to the Party, or personally delivered to the Party, at the address set out in Appendix F, Addresses for Delivery of Notices and Billings.

A Party must update the information in Appendix F as information changes. A Party may change the notice information in this LGIA by giving five (5) Business Days written notice prior to the effective date of the change. Such changes shall not constitute an amendment to this LGIA.

- 15.2 Billings and Payments.** Billings and payments shall be sent to the addresses set out in Appendix F.
- 15.3 Alternative Forms of Notice.** Any notice or request required or permitted to be given by a Party to another and not required by this LGIA to be given in writing may be so given by telephone, facsimile or e-mail to the telephone numbers and e-mail addresses set out in Appendix F.
- 15.4 Operations and Maintenance Notice.** Each Party shall notify the other Parties in writing of the identity of the person(s) that it designates as the point(s) of contact with respect to the implementation of Articles 9 and 10.

ARTICLE 16. FORCE MAJEURE

16.1 Force Majeure.

16.1.1 Economic hardship is not considered a Force Majeure event.

16.1.2 No Party shall be considered to be in Default with respect to any obligation hereunder, (including obligations under Article 4), other than the obligation to pay money when due, if prevented from fulfilling such obligation by Force Majeure. A Party unable to fulfill any obligation hereunder (other than an obligation to pay money when due) by reason of Force Majeure shall give notice and the full particulars of such Force Majeure to the other Party in writing or by telephone as soon as reasonably possible after the occurrence of the cause relied upon. Telephone notices given pursuant to this Article shall be confirmed in writing as soon as reasonably possible and shall specifically state full particulars of the Force Majeure, the time and date when the Force Majeure occurred and when the Force Majeure is reasonably expected to cease. The Party affected shall exercise due diligence to remove such disability with reasonable dispatch, but shall not be required to accede or agree to any provision not satisfactory to it in order to settle and terminate a strike or other labor disturbance.

ARTICLE 17. DEFAULT

17.1 Default.

17.1.1 General. No Default shall exist where such failure to discharge an obligation (other than the payment of money) is the result of Force

Majeure as defined in this LGIA or the result of an act or omission of the other Party. Upon a Breach, the affected non-Breaching Party(ies) shall give written notice of such Breach to the Breaching Party. Except as provided in Articles 11.5.1 and 17.1.2, the Breaching Party shall have thirty (30) Calendar Days from receipt of the Default notice within which to cure such Breach; provided however, if such Breach is not capable of cure within thirty (30) Calendar Days, the Breaching Party shall commence such cure within thirty (30) Calendar Days after notice and continuously and diligently complete such cure within ninety (90) Calendar Days from receipt of the Default notice; and, if cured within such time, the Breach specified in such notice shall cease to exist.

17.1.2 Right to Terminate. If a Breach is not cured as provided in this Article, or if a Breach is not capable of being cured within the period provided for herein, the affected non-Breaching Party(ies) shall have the right to declare a Default and terminate this LGIA by written notice at any time until cure occurs, and be relieved of any further obligation hereunder and, whether or not such Party(ies) terminates this LGIA, to recover from the Breaching Party all amounts due hereunder, plus all other damages and remedies to which it is entitled at law or in equity. The provisions of this Article will survive termination of this LGIA.

ARTICLE 18. INDEMNITY, CONSEQUENTIAL DAMAGES, AND INSURANCE

18.1 Indemnity. Each Party shall at all times indemnify, defend, and hold the other Parties harmless from, any and all Losses arising out of or resulting from another Party's action or inactions of its obligations under this LGIA on behalf of the indemnifying Party, except in cases of gross negligence or intentional wrongdoing by the Indemnified Party.

18.1.1 Indemnified Party. If an Indemnified Party is entitled to indemnification under this Article 18 as a result of a claim by a third party, and the Indemnifying Party fails, after notice and reasonable opportunity to proceed under Article 18.1, to assume the defense of such claim, such Indemnified Party may at the expense of the Indemnifying Party contest, settle or consent to the entry of any judgment with respect to, or pay in full, such claim.

18.1.2 Indemnifying Party. If an Indemnifying Party is obligated to indemnify and hold any Indemnified Party harmless under this Article 18, the amount owing to the Indemnified Party shall be the amount of such Indemnified Party's actual Loss, net of any insurance or other recovery.

18.1.3 Indemnity Procedures. Promptly after receipt by an Indemnified Party of any claim or notice of the commencement of any action or administrative or legal proceeding or investigation as to which the indemnity provided for

in Article 18.1 may apply, the Indemnified Party shall notify the Indemnifying Party of such fact. Any failure of or delay in such notification shall not affect a Party's indemnification obligation unless such failure or delay is materially prejudicial to the indemnifying Party.

The Indemnifying Party shall have the right to assume the defense thereof with counsel designated by such Indemnifying Party and reasonably satisfactory to the Indemnified Party. If the defendants in any such action include one or more Indemnified Parties and the Indemnifying Party and if the Indemnified Party reasonably concludes that there may be legal defenses available to it and/or other Indemnified Parties which are different from or additional to those available to the Indemnifying Party, the Indemnified Party shall have the right to select separate counsel to assert such legal defenses and to otherwise participate in the defense of such action on its own behalf. In such instances, the Indemnifying Party shall only be required to pay the fees and expenses of one additional attorney to represent an Indemnified Party or Indemnified Parties having such differing or additional legal defenses.

The Indemnified Party shall be entitled, at its expense, to participate in any such action, suit or proceeding, the defense of which has been assumed by the Indemnifying Party. Notwithstanding the foregoing, the Indemnifying Party (i) shall not be entitled to assume and control the defense of any such action, suit or proceedings if and to the extent that, in the opinion of the Indemnified Party and its counsel, such action, suit or proceeding involves the potential imposition of criminal liability on the Indemnified Party, or there exists a conflict or adversity of interest between the Indemnified Party and the Indemnifying Party, in such event the Indemnifying Party shall pay the reasonable expenses of the Indemnified Party, and (ii) shall not settle or consent to the entry of any judgment in any action, suit or proceeding without the consent of the Indemnified Party, which shall not be unreasonably withheld, conditioned or delayed.

18.2 Consequential Damages. Other than the liquidated damages heretofore described in Article 5.3, in no event shall any Party be liable under any provision of this LGIA for any losses, damages, costs or expenses for any special, indirect, incidental, consequential, or punitive damages, including but not limited to loss of profit or revenue, loss of the use of equipment, cost of capital, cost of temporary equipment or services, whether based in whole or in part in contract, in tort, including negligence, strict liability, or any other theory of liability; provided, however, that damages for which a Party may be liable to another Party under another agreement will not be considered to be special, indirect, incidental, or consequential damages hereunder.

18.3 Insurance. As indicated below, the designated Party shall, at its own expense, maintain in force throughout the periods noted in this LGIA, and until released by

the other Parties, the following minimum insurance coverages, with insurers rated no less than A- (with a minimum size rating of VII) by Bests' Insurance Guide and Key Ratings and authorized to do business in the state where the Point of Interconnection is located, except in the case of any insurance required to be carried by the CAISO, the State of California:

18.3.1 Workers' Compensation Insurance and Employers' Liability. The Participating TO and the Interconnection Customer shall maintain such coverage from the commencement of any Construction Activities providing statutory benefits for Workers Compensation coverage and coverage amounts of no less than One Million Dollars (\$1,000,000) for employer's liability for each employee for bodily injury by accident and One Million Dollars (\$1,000,000) for each employee for bodily injury by disease in accordance with the laws and regulations of the state in which the Point of Interconnection is located. The Participating TO shall provide the Interconnection Customer with evidence of such insurance coverage within thirty (30) Calendar Days of any request by the Interconnection Customer. The Interconnection Customer shall provide evidence of such insurance thirty (30) Calendar Days prior to entry by any employee or contractor or other person acting on the Interconnection Customer's behalf onto any construction site to perform any work related to the Interconnection Facilities or Generating Facility.

18.3.2 Commercial General Liability Insurance. The Participating TO and the Interconnection Customer shall maintain commercial general liability insurance coverage commencing within thirty (30) Calendar Days of the Effective Date of this LGIA, including coverage for premises and operations, bodily injury (including death), personal injury, property damage, products and completed operations coverage, coverage for explosion, collapse and underground hazards, independent contractors coverage, and (i) liability of Participating TO and the Interconnection Customer that would be imposed without the LGIA, or (ii) liability assumed by the Participating TO and the Interconnection Customer in a contract or agreement that is an "insured contract" under commercial general liability insurance policy. Such insurance shall include no cross liability exclusions or separation of insured clause endorsement exclusions, with minimum limits of One Million Dollars (\$1,000,000) per occurrence/One Million Dollars (\$1,000,000) aggregate. If the activities of the Interconnection Customer are being conducted through the actions of an Affiliate, then the Interconnection Customer may satisfy the insurance requirements of this Section 18.3.2 by providing evidence of insurance coverage carried by such Affiliate and showing the Participating TO and the CAISO as an additional insured only with respect to the LGIA, together with the Interconnection Customer's written representation to the Participating TO and the CAISO that the insured Affiliate is conducting all of the necessary pre-construction work. Within

thirty (30) Calendar Days prior to the entry of any person on behalf of the Interconnection Customer onto any construction site to perform work related to the Interconnection Facilities or Generating Facility, the Interconnection Customer shall replace any evidence of Affiliate Insurance with evidence of such insurance carried by the Interconnection Customer, naming the Participating TO and CAISO as additional insured only with respect to the LGIA.

- 18.3.3 Business Automobile Liability Insurance.** Prior to the entry of any such vehicles on any construction site in connection with work done by or on behalf of the Interconnection Customer, the Interconnection Customer shall provide evidence of coverage of owned and non-owned and hired vehicles, trailers or semi-trailers designed for travel on public roads, with a minimum, combined single limit of One Million Dollars (\$1,000,000) per occurrence for bodily injury, including death, and property damage. The Interconnection Customer shall include the Participating TO and the CAISO as additional insured with respect to the LGIA on any such policies.
- 18.3.4 Excess Liability Insurance.** Commencing at the time of entry of any person on its behalf upon any construction site for the Network Upgrades, Interconnection Facilities, or Generating Facility, the Participating TO and the Interconnection Customer shall maintain Excess Liability insurance over and above the Employer's Liability Commercial General Liability and Business Automobile Liability Insurance coverage, with a minimum limit of Twenty Million Dollars (\$20,000,000) per occurrence/Twenty Million Dollars (\$20,000,000) aggregate. Such insurance carried by the Participating TO shall include the Interconnection Customer and CAISO as additional insured with respect to the LGIA, and such insurance carried by the Interconnection Customer shall include the Participating TO and CAISO as an additional insured with respect to the LGIA. The requirements of Section 18.3.2 and 18.3.4 may be met by any combination of general and excess liability insurance.
- 18.3.5** The Commercial General Liability Insurance, Business Automobile Insurance and Excess Liability Insurance policies shall include the other Parties identified in the sections above, their parents, their subsidiaries, respective directors, officers, agents, servants and employees ("Other Party Group") and the CAISO as additional insured. All policies shall contain provisions whereby the insurers waive all rights of subrogation in accordance with the provisions of this LGIA against the Other Party Group. If any Party can reasonably demonstrate that coverage policies containing provisions for insurer waiver of subrogation rights, or advance notice are not commercially available, then the Parties shall meet and confer and mutually determine to (i) establish replacement or equivalent

terms in lieu of subrogation or notice or (ii) waive the requirements that coverage(s) include such subrogation provision or require advance written notice from such insurers.

18.3.6 The Commercial General Liability Insurance, Business Automobile Liability Insurance and Excess Liability Insurance policies shall contain provisions that specify that the policies are primary and non-contributory. Each Party shall be responsible for its respective deductibles or self-insured retentions.

18.3.7 The Commercial General Liability Insurance, Business Automobile Liability Insurance and Excess Liability Insurance policies, if written on a Claims First Made Basis, shall be maintained in full force and effect for two (2) years after termination of this LGIA, which coverage may be in the form of extended reporting period coverage if agreed by the Parties.

18.3.8 [Not Used.]

18.3.9 Thirty (30) Calendar Days prior to the start of any work at the construction site related to Interconnection Facilities or Generating Facility under this LGIA, and as soon as practicable after the end of each fiscal year or at the renewal of the insurance policy and in any event within ninety (90) Calendar Days thereafter, the Participating TO and the Interconnection Customer shall provide a certificate of insurance for all insurance required in this LGIA, executed by each insurer or by an authorized representative of each insurer.

18.3.10 Notwithstanding the foregoing, each Party may self-insure

a) to meet the minimum insurance requirements of Article 18.3.1, to the extent that it maintains a self-insurance program that is a qualified self-insurer within the state in which the Point of Interconnection is located, under the laws and regulations of such state; and

b) to meet the minimum insurance requirements of Articles 18.3.2 through 18.3.8 to the extent it maintains a self-insurance program; provided that, such Party's senior unsecured debt or issuer rating is BBB-, or better, as rated by Standard & Poor's and that its self-insurance program meets the minimum insurance requirements of Articles 18.3.2 through 18.3.8. For any period of time that a Party's senior unsecured debt rating and issuer rating are both unrated by Standard & Poor's or are both rated at less than BBB- by Standard & Poor's, such Party shall comply with the insurance requirements applicable to it under Articles 18.3.2 through 18.3.9.



c) in the event that a Party is permitted to self-insure pursuant to this Article 18.3.10, it shall notify the other Parties that it meets the requirements to self-insure and that its self-insurance program meets the minimum insurance requirements in a manner consistent with that specified in Article 18.3.9.

18.3.11 The Parties agree to report to each other in writing as soon as practical all accidents or occurrences resulting in injuries to any person, including death, and any property damage greater than \$25,000, including within the scope of coverage of such insurance whether or not such coverage is sought.

ARTICLE 19. ASSIGNMENT

19.1 Assignment. This LGIA may be assigned by a Party only with the written consent of the other Parties; provided that a Party may assign this LGIA without the consent of the other Parties to any Affiliate of the assigning Party with an equal or greater credit rating and with the legal authority and operational ability to satisfy the obligations of the assigning Party under this LGIA; and provided further that the Interconnection Customer shall have the right to assign this LGIA, without the consent of the CAISO or Participating TO, for collateral security purposes to aid in providing financing for the Large Generating Facility, provided that the Interconnection Customer will promptly notify the CAISO and Participating TO of any such assignment. Any financing arrangement entered into by the Interconnection Customer pursuant to this Article will provide that prior to or upon the exercise of the secured party's, trustee's or mortgagee's assignment rights pursuant to said arrangement, the secured creditor, the trustee or mortgagee will notify the CAISO and Participating TO of the date and particulars of any such exercise of assignment right(s), including providing the CAISO and Participating TO with proof that it meets the requirements of Articles 11.5 and 18.3. Any attempted assignment that violates this Article is void and ineffective. Any assignment under this LGIA shall not relieve a Party of its obligations, nor shall a Party's obligations be enlarged, in whole or in part, by reason thereof. Where required, consent to assignment will not be unreasonably withheld, conditioned or delayed.

The Interconnection Customer may assign Surplus Interconnection Service pursuant to Section 3.4 of the GIDAP. The CAISO, Participating TO, and original Interconnection Customer will work in good faith to amend this GIA to reflect the transfer of Surplus Interconnection Service before the execution of the assignee's GIA. The assignee must execute a separate GIA with the CAISO and Participating TO to memorialize its Interconnection Service.

ARTICLE 20. SEVERABILITY

20.1 Severability. If any provision in this LGIA is finally determined to be invalid, void or unenforceable by any court or other Governmental Authority having

jurisdiction, such determination shall not invalidate, void or make unenforceable any other provision, agreement or covenant of this LGIA; provided that if the Interconnection Customer (or any third party, but only if such third party is not acting at the direction of the Participating TO or CAISO) seeks and obtains such a final determination with respect to any provision of the Alternate Option (Article 5.1.2), or the Negotiated Option (Article 5.1.4), then none of the provisions of Article 5.1.2 or 5.1.4 shall thereafter have any force or effect and the Parties' rights and obligations shall be governed solely by the Standard Option (Article 5.1.1).

ARTICLE 21. COMPARABILITY

- 21.1 Comparability.** The Parties will comply with all applicable comparability and code of conduct laws, rules and regulations, as amended from time to time.

ARTICLE 22. CONFIDENTIALITY

- 22.1 Confidentiality.** Confidential Information shall include, without limitation, all information relating to a Party's technology, research and development, business affairs, and pricing, and any information supplied by any of the Parties to the other Parties prior to the execution of this LGIA.

Information is Confidential Information only if it is clearly designated or marked in writing as confidential on the face of the document, or, if the information is conveyed orally or by inspection, if the Party providing the information orally informs the Parties receiving the information that the information is confidential.

If requested by any Party, the other Parties shall provide in writing, the basis for asserting that the information referred to in this Article 22 warrants confidential treatment, and the requesting Party may disclose such writing to the appropriate Governmental Authority. Each Party shall be responsible for the costs associated with affording confidential treatment to its information.

- 22.1.1 Term.** During the term of this LGIA, and for a period of three (3) years after the expiration or termination of this LGIA, except as otherwise provided in this Article 22, each Party shall hold in confidence and shall not disclose to any person Confidential Information.

- 22.1.2 Scope.** Confidential Information shall not include information that the receiving Party can demonstrate: (1) is generally available to the public other than as a result of a disclosure by the receiving Party; (2) was in the lawful possession of the receiving Party on a non-confidential basis before receiving it from the disclosing Party; (3) was supplied to the receiving Party without restriction by a third party, who, to the knowledge of the receiving Party after due inquiry, was under no obligation to the disclosing Party to keep such information confidential; (4) was independently developed by the receiving Party without reference to Confidential

Information of the disclosing Party; (5) is, or becomes, publicly known, through no wrongful act or omission of the receiving Party or Breach of this LGIA; or (6) is required, in accordance with Article 22.1.7 of this LGIA, Order of Disclosure, to be disclosed by any Governmental Authority or is otherwise required to be disclosed by law or subpoena, or is necessary in any legal proceeding establishing rights and obligations under this LGIA. Information designated as Confidential Information will no longer be deemed confidential if the Party that designated the information as confidential notifies the other Parties that it no longer is confidential.

22.1.3 Release of Confidential Information. No Party shall release or disclose Confidential Information to any other person, except to its employees, consultants, Affiliates (limited by the Standards of Conduct requirements set forth in Part 358 of FERC's Regulations, 18 C.F.R. 358), subcontractors, or to parties who may be or considering providing financing to or equity participation with the Interconnection Customer, or to potential purchasers or assignees of the Interconnection Customer, on a need-to-know basis in connection with this LGIA, unless such person has first been advised of the confidentiality provisions of this Article 22 and has agreed to comply with such provisions. Notwithstanding the foregoing, a Party providing Confidential Information to any person shall remain primarily responsible for any release of Confidential Information in contravention of this Article 22.

22.1.4 Rights. Each Party retains all rights, title, and interest in the Confidential Information that each Party discloses to the other Parties. The disclosure by each Party to the other Parties of Confidential Information shall not be deemed a waiver by a Party or any other person or entity of the right to protect the Confidential Information from public disclosure.

22.1.5 No Warranties. The mere fact that a Party has provided Confidential Information does not constitute a warranty or representation as to its accuracy or completeness. In addition, by supplying Confidential Information, no Party obligates itself to provide any particular information or Confidential Information to the other Parties nor to enter into any further agreements or proceed with any other relationship or joint venture.

22.1.6 Standard of Care. Each Party shall use at least the same standard of care to protect Confidential Information it receives as it uses to protect its own Confidential Information from unauthorized disclosure, publication or dissemination. Each Party may use Confidential Information solely to fulfill its obligations to the other Parties under this LGIA or its regulatory requirements.

22.1.7 Order of Disclosure. If a court or a Government Authority or entity with the right, power, and apparent authority to do so requests or requires any Party, by subpoena, oral deposition, interrogatories, requests for production of documents, administrative order, or otherwise, to disclose Confidential Information, that Party shall provide the other Parties with prompt notice of such request(s) or requirement(s) so that the other Parties may seek an appropriate protective order or waive compliance with the terms of this LGIA. Notwithstanding the absence of a protective order or waiver, the Party may disclose such Confidential Information which, in the opinion of its counsel, the Party is legally compelled to disclose. Each Party will use Reasonable Efforts to obtain reliable assurance that confidential treatment will be accorded any Confidential Information so furnished.

22.1.8 Termination of Agreement. Upon termination of this LGIA for any reason, each Party shall, within ten (10) Calendar Days of receipt of a written request from another Party, use Reasonable Efforts to destroy, erase, or delete (with such destruction, erasure, and deletion certified in writing to the other Party) or return to the other Party, without retaining copies thereof, any and all written or electronic Confidential Information received from the other Party.

22.1.9 Remedies. The Parties agree that monetary damages would be inadequate to compensate a Party for another Party's Breach of its obligations under this Article 22. Each Party accordingly agrees that the other Parties shall be entitled to equitable relief, by way of injunction or otherwise, if the first Party Breaches or threatens to Breach its obligations under this Article 22, which equitable relief shall be granted without bond or proof of damages, and the receiving Party shall not plead in defense that there would be an adequate remedy at law. Such remedy shall not be deemed an exclusive remedy for the Breach of this Article 22, but shall be in addition to all other remedies available at law or in equity. The Parties further acknowledge and agree that the covenants contained herein are necessary for the protection of legitimate business interests and are reasonable in scope. No Party, however, shall be liable for indirect, incidental, or consequential or punitive damages of any nature or kind resulting from or arising in connection with this Article 22.

22.1.10 Disclosure to FERC, its Staff, or a State. Notwithstanding anything in this Article 22 to the contrary, and pursuant to 18 C.F.R. section 1b.20, if FERC or its staff, during the course of an investigation or otherwise, requests information from one of the Parties that is otherwise required to be maintained in confidence pursuant to this LGIA, the Party shall provide the requested information to FERC or its staff, within the time provided for in the request for information. In providing the information to FERC or its staff, the Party must, consistent with 18 C.F.R. section 388.112, request

that the information be treated as confidential and non-public by FERC and its staff and that the information be withheld from public disclosure. Parties are prohibited from notifying the other Parties to this LGIA prior to the release of the Confidential Information to FERC or its staff. The Party shall notify the other Parties to the LGIA when it is notified by FERC or its staff that a request to release Confidential Information has been received by FERC, at which time any of the Parties may respond before such information would be made public, pursuant to 18 C.F.R. section 388.112. Requests from a state regulatory body conducting a confidential investigation shall be treated in a similar manner if consistent with the applicable state rules and regulations.

22.1.11 Subject to the exception in Article 22.1.10, Confidential Information shall not be disclosed by the other Parties to any person not employed or retained by the other Parties, except to the extent disclosure is (i) required by law; (ii) reasonably deemed by the disclosing Party to be required to be disclosed in connection with a dispute between or among the Parties, or the defense of litigation or dispute; (iii) otherwise permitted by consent of the other Parties, such consent not to be unreasonably withheld; or (iv) necessary to fulfill its obligations under this LGIA or as a transmission service provider or a Balancing Authority including disclosing the Confidential Information to an RTO or ISO or to a regional or national reliability organization. The Party asserting confidentiality shall notify the other Parties in writing of the information it claims is confidential. Prior to any disclosures of another Party's Confidential Information under this subparagraph, or if any third party or Governmental Authority makes any request or demand for any of the information described in this subparagraph, the disclosing Party agrees to promptly notify the other Party in writing and agrees to assert confidentiality and cooperate with the other Party in seeking to protect the Confidential Information from public disclosure by confidentiality agreement, protective order or other reasonable measures.

ARTICLE 23. ENVIRONMENTAL RELEASES

23.1 Each Party shall notify the other Parties, first orally and then in writing, of the release of any Hazardous Substances, any asbestos or lead abatement activities, or any type of remediation activities related to the Large Generating Facility or the Interconnection Facilities, each of which may reasonably be expected to affect the other Parties. The notifying Party shall: (i) provide the notice as soon as practicable, provided such Party makes a good faith effort to provide the notice no later than twenty-four hours after such Party becomes aware of the occurrence; and (ii) promptly furnish to the other Parties copies of any publicly available reports filed with any Governmental Authorities addressing such events.

ARTICLE 24. INFORMATION REQUIREMENTS

- 24.1 Information Acquisition.** The Participating TO and the Interconnection Customer shall submit specific information regarding the electrical characteristics of their respective facilities to each other as described below and in accordance with Applicable Reliability Standards.
- 24.2 Information Submission by Participating TO.** The initial information submission by the Participating TO shall occur no later than one hundred eighty (180) Calendar Days prior to Trial Operation and shall include the Participating TO's Transmission System information necessary to allow the Interconnection Customer to select equipment and meet any system protection and stability requirements, unless otherwise agreed to by the Participating TO and the Interconnection Customer. On a monthly basis the Participating TO shall provide the Interconnection Customer and the CAISO a status report on the construction and installation of the Participating TO's Interconnection Facilities and Network Upgrades, including, but not limited to, the following information: (1) progress to date; (2) a description of the activities since the last report; (3) a description of the action items for the next period; and (4) the delivery status of equipment ordered.
- 24.3 Updated Information Submission by Interconnection Customer.** The updated information submission by the Interconnection Customer, including manufacturer information, shall occur no later than one hundred eighty (180) Calendar Days prior to the Trial Operation. The Interconnection Customer shall submit a completed copy of the Electric Generating Unit data requirements contained in Appendix 1 to the GIDAP. It shall also include any additional information provided to the Participating TO and the CAISO for the Interconnection Studies. Information in this submission shall be the most current Electric Generating Unit design or expected performance data. Information submitted for stability models shall be compatible with the Participating TO and CAISO standard models. If there is no compatible model, the Interconnection Customer will work with a consultant mutually agreed to by the Parties to develop and supply a standard model and associated information.

If the Interconnection Customer's data is materially different from what was originally provided to the Participating TO and the CAISO for the Interconnection Studies, then the Participating TO and the CAISO will conduct appropriate studies pursuant to the GIDAP to determine the impact on the Participating TO's Transmission System and affected portions of the CAISO Controlled Grid based on the actual data submitted pursuant to this Article 24.3. The Interconnection Customer shall not begin Trial Operation until such studies are completed and all other requirements of this LGIA are satisfied.



24.4 Information Supplementation. Prior to the Trial Operation date, the Parties shall supplement their information submissions described above in this Article 24 with any and all “as-built” Electric Generating Unit information or “as-tested” performance information that differs from the initial submissions or, alternatively, written confirmation that no such differences exist. The Interconnection Customer shall conduct tests on the Electric Generating Unit as required by Good Utility Practice such as an open circuit “step voltage” test on the Electric Generating Unit to verify proper operation of the Electric Generating Unit's automatic voltage regulator.

Unless otherwise agreed, the test conditions shall include: (1) Electric Generating Unit at synchronous speed; (2) automatic voltage regulator on and in voltage control mode; and (3) a five percent (5 percent) change in Electric Generating Unit terminal voltage initiated by a change in the voltage regulators reference voltage. The Interconnection Customer shall provide validated test recordings showing the responses of Electric Generating Unit terminal and field voltages. In the event that direct recordings of these voltages is impractical, recordings of other voltages or currents that mirror the response of the Electric Generating Unit's terminal or field voltage are acceptable if information necessary to translate these alternate quantities to actual Electric Generating Unit terminal or field voltages is provided. Electric Generating Unit testing shall be conducted and results provided to the Participating TO and the CAISO for each individual Electric Generating Unit in a station.

Subsequent to the Commercial Operation Date, the Interconnection Customer shall provide the Participating TO and the CAISO any information changes due to equipment replacement, repair, or adjustment. The Participating TO shall provide the Interconnection Customer any information changes due to equipment replacement, repair or adjustment in the directly connected substation or any adjacent Participating TO-owned substation that may affect the Interconnection Customer's Interconnection Facilities equipment ratings, protection or operating requirements. The Parties shall provide such information pursuant to Article 5.19.

ARTICLE 25. INFORMATION ACCESS AND AUDIT RIGHTS

25.1 Information Access. Each Party (the “disclosing Party”) shall make available to the other Party information that is in the possession of the disclosing Party and is necessary in order for the other Party to: (i) verify the costs incurred by the disclosing Party for which the other Party is responsible under this LGIA; and (ii) carry out its obligations and responsibilities under this LGIA. The Parties shall not use such information for purposes other than those set forth in this Article 25.1 and to enforce their rights under this LGIA. Nothing in this Article 25 shall obligate the CAISO to make available to a Party any third party information in its possession or control if making such third party information available would



violate a CAISO Tariff restriction on the use or disclosure of such third party information.

25.2 Reporting of Non-Force Majeure Events. Each Party (the “notifying Party”) shall notify the other Parties when the notifying Party becomes aware of its inability to comply with the provisions of this LGIA for a reason other than a Force Majeure event. The Parties agree to cooperate with each other and provide necessary information regarding such inability to comply, including the date, duration, reason for the inability to comply, and corrective actions taken or planned to be taken with respect to such inability to comply. Notwithstanding the foregoing, notification, cooperation or information provided under this Article shall not entitle the Party receiving such notification to allege a cause for anticipatory breach of this LGIA.

25.3 Audit Rights. Subject to the requirements of confidentiality under Article 22 of this LGIA, the Parties’ audit rights shall include audits of a Party’s costs pertaining to such Party’s performance or satisfaction of obligations owed to the other Party under this LGIA, calculation of invoiced amounts, the CAISO’s efforts to allocate responsibility for the provision of reactive support to the CAISO Controlled Grid, the CAISO’s efforts to allocate responsibility for interruption or reduction of generation on the CAISO Controlled Grid, and each such Party’s actions in an Emergency Condition.

25.3.1 The Interconnection Customer and the Participating TO shall each have the right, during normal business hours, and upon prior reasonable notice to the other Party, to audit at its own expense the other Party’s accounts and records pertaining to either such Party’s performance or either such Party’s satisfaction of obligations owed to the other Party under this LGIA. Subject to Article 25.3.2, any audit authorized by this Article shall be performed at the offices where such accounts and records are maintained and shall be limited to those portions of such accounts and records that relate to each such Party’s performance and satisfaction of obligations under this LGIA. Each such Party shall keep such accounts and records for a period equivalent to the audit rights periods described in Article 25.4.

25.3.2 Notwithstanding anything to the contrary in Article 25.3, each Party’s rights to audit the CAISO’s accounts and records shall be as set forth in Section 22.1 of the CAISO Tariff.

25.4 Audit Rights Periods.

25.4.1 Audit Rights Period for Construction-Related Accounts and Records. Accounts and records related to the design, engineering, procurement, and construction of Participating TO’s Interconnection Facilities, Network Upgrades, and Distribution Upgrades constructed by the Participating TO shall be subject to audit for a period of twenty-four months following the

Participating TO's issuance of a final invoice in accordance with Article 12.2. Accounts and records related to the design, engineering, procurement, and construction of Participating TO's Interconnection Facilities and/or Stand Alone Network Upgrades constructed by the Interconnection Customer shall be subject to audit and verification by the Participating TO and the CAISO for a period of twenty-four months following the Interconnection Customer's issuance of a final invoice in accordance with Article 5.2(8).

25.4.2 Audit Rights Period for All Other Accounts and Records. Accounts and records related to a Party's performance or satisfaction of all obligations under this LGIA other than those described in Article 25.4.1 shall be subject to audit as follows: (i) for an audit relating to cost obligations, the applicable audit rights period shall be twenty-four months after the auditing Party's receipt of an invoice giving rise to such cost obligations; and (ii) for an audit relating to all other obligations, the applicable audit rights period shall be twenty-four months after the event for which the audit is sought; provided that each Party's rights to audit the CAISO's accounts and records shall be as set forth in Section 22.1 of the CAISO Tariff.

25.5 Audit Results. If an audit by the Interconnection Customer or the Participating TO determines that an overpayment or an underpayment has occurred with respect to the other Party, a notice of such overpayment or underpayment shall be given to the other Party together with those records from the audit which supports such determination. The Party that is owed payment shall render an invoice to the other Party and such invoice shall be paid pursuant to Article 12 hereof.

25.5.1 Notwithstanding anything to the contrary in Article 25.5, the Interconnection Customer's and Participating TO's rights to audit the CAISO's accounts and records shall be as set forth in Section 22.1 of the CAISO Tariff, and the CAISO's process for remedying an overpayment or underpayment shall be as set forth in the CAISO Tariff.

ARTICLE 26. SUBCONTRACTORS

26.1 General. Nothing in this LGIA shall prevent a Party from utilizing the services of any subcontractor as it deems appropriate to perform its obligations under this LGIA; provided, however, that each Party shall require its subcontractors to comply with all applicable terms and conditions of this LGIA in providing such services and each Party shall remain primarily liable to the other Party for the performance of such subcontractor.



- 26.2 Responsibility of Principal.** The creation of any subcontract relationship shall not relieve the hiring Party of any of its obligations under this LGIA. The hiring Party shall be fully responsible to the other Parties for the acts or omissions of any subcontractor the hiring Party hires as if no subcontract had been made; provided, however, that in no event shall the CAISO or Participating TO be liable for the actions or inactions of the Interconnection Customer or its subcontractors with respect to obligations of the Interconnection Customer under Article 5 of this LGIA. Any applicable obligation imposed by this LGIA upon the hiring Party shall be equally binding upon, and shall be construed as having application to, any subcontractor of such Party.
- 26.3 No Limitation by Insurance.** The obligations under this Article 26 will not be limited in any way by any limitation of subcontractor's insurance.

ARTICLE 27. DISPUTES

All disputes arising out of or in connection with this LGIA whereby relief is sought by or from the CAISO shall be settled in accordance with the provisions of Article 13 of the CAISO Tariff, except that references to the CAISO Tariff in such Article 13 of the CAISO Tariff shall be read as references to this LGIA. Disputes arising out of or in connection with this LGIA not subject to provisions of Article 13 of the CAISO Tariff shall be resolved as follows:

- 27.1 Submission.** In the event either Party has a dispute, or asserts a claim, that arises out of or in connection with this LGIA or its performance, such Party (the "disputing Party") shall provide the other Party with written notice of the dispute or claim ("Notice of Dispute"). Such dispute or claim shall be referred to a designated senior representative of each Party for resolution on an informal basis as promptly as practicable after receipt of the Notice of Dispute by the other Party. In the event the designated representatives are unable to resolve the claim or dispute through unassisted or assisted negotiations within thirty (30) Calendar Days of the other Party's receipt of the Notice of Dispute, such claim or dispute may, upon mutual agreement of the Parties, be submitted to arbitration and resolved in accordance with the arbitration procedures set forth below. In the event the Parties do not agree to submit such claim or dispute to arbitration, each Party may exercise whatever rights and remedies it may have in equity or at law consistent with the terms of this LGIA.
- 27.2 External Arbitration Procedures.** Any arbitration initiated under this LGIA shall be conducted before a single neutral arbitrator appointed by the Parties. If the Parties fail to agree upon a single arbitrator within ten (10) Calendar Days of the submission of the dispute to arbitration, each Party shall choose one arbitrator who shall sit on a three-member arbitration panel. The two arbitrators so chosen shall within twenty (20) Calendar Days select a third arbitrator to chair the arbitration panel. In either case, the arbitrators shall be knowledgeable in electric utility matters, including electric transmission and bulk power issues, and shall

not have any current or past substantial business or financial relationships with any party to the arbitration (except prior arbitration). The arbitrator(s) shall provide each of the Parties an opportunity to be heard and, except as otherwise provided herein, shall conduct the arbitration in accordance with the Commercial Arbitration Rules of the American Arbitration Association (“Arbitration Rules”) and any applicable FERC regulations; provided, however, in the event of a conflict between the Arbitration Rules and the terms of this Article 27, the terms of this Article 27 shall prevail.

27.3 Arbitration Decisions. Unless otherwise agreed by the Parties, the arbitrator(s) shall render a decision within ninety (90) Calendar Days of appointment and shall notify the Parties in writing of such decision and the reasons therefor. The arbitrator(s) shall be authorized only to interpret and apply the provisions of this LGIA and shall have no power to modify or change any provision of this Agreement in any manner. The decision of the arbitrator(s) shall be final and binding upon the Parties, and judgment on the award may be entered in any court having jurisdiction. The decision of the arbitrator(s) may be appealed solely on the grounds that the conduct of the arbitrator(s), or the decision itself, violated the standards set forth in the Federal Arbitration Act or the Administrative Dispute Resolution Act. The final decision of the arbitrator(s) must also be filed with FERC if it affects jurisdictional rates, terms and conditions of service, Interconnection Facilities, or Network Upgrades.

27.4 Costs. Each Party shall be responsible for its own costs incurred during the arbitration process and for the following costs, if applicable: (1) the cost of the arbitrator chosen by the Party to sit on the three member panel and one half of the cost of the third arbitrator chosen; or (2) one half the cost of the single arbitrator jointly chosen by the Parties.

ARTICLE 28. REPRESENTATIONS, WARRANTIES AND COVENANTS

28.1 General. Each Party makes the following representations, warranties and covenants:

28.1.1 Good Standing. Such Party is duly organized, validly existing and in good standing under the laws of the state in which it is organized, formed, or incorporated, as applicable; that it is qualified to do business in the state or states in which the Large Generating Facility, Interconnection Facilities and Network Upgrades owned by such Party, as applicable, are located; and that it has the corporate power and authority to own its properties, to carry on its business as now being conducted and to enter into this LGIA and carry out the transactions contemplated hereby and perform and carry out all covenants and obligations on its part to be performed under and pursuant to this LGIA.



- 28.1.2 Authority.** Such Party has the right, power and authority to enter into this LGIA, to become a Party hereto and to perform its obligations hereunder. This LGIA is a legal, valid and binding obligation of such Party, enforceable against such Party in accordance with its terms, except as the enforceability thereof may be limited by applicable bankruptcy, insolvency, reorganization or other similar laws affecting creditors' rights generally and by general equitable principles (regardless of whether enforceability is sought in a proceeding in equity or at law).
- 28.1.3 No Conflict.** The execution, delivery and performance of this LGIA does not violate or conflict with the organizational or formation documents, or bylaws or operating agreement, of such Party, or any judgment, license, permit, order, material agreement or instrument applicable to or binding upon such Party or any of its assets.
- 28.1.4 Consent and Approval.** Such Party has sought or obtained, or, in accordance with this LGIA will seek or obtain, each consent, approval, authorization, order, or acceptance by any Governmental Authority in connection with the execution, delivery and performance of this LGIA, and it will provide to any Governmental Authority notice of any actions under this LGIA that are required by Applicable Laws and Regulations.

ARTICLE 29. [RESERVED]

ARTICLE 30. MISCELLANEOUS

- 30.1 Binding Effect.** This LGIA and the rights and obligations hereof, shall be binding upon and shall inure to the benefit of the successors and assigns of the Parties hereto.
- 30.2 Conflicts.** In the event of a conflict between the body of this LGIA and any attachment, appendices or exhibits hereto, the terms and provisions of the body of this LGIA shall prevail and be deemed the final intent of the Parties.
- 30.3 Rules of Interpretation.** This LGIA, unless a clear contrary intention appears, shall be construed and interpreted as follows: (1) the singular number includes the plural number and vice versa; (2) reference to any person includes such person's successors and assigns but, in the case of a Party, only if such successors and assigns are permitted by this LGIA, and reference to a person in a particular capacity excludes such person in any other capacity or individually; (3) reference to any agreement (including this LGIA), document, instrument or tariff means such agreement, document, instrument, or tariff as amended or modified and in effect from time to time in accordance with the terms thereof and, if applicable, the terms hereof; (4) reference to any Applicable Laws and Regulations means such Applicable Laws and Regulations as amended, modified, codified, or reenacted, in whole or in part, and in effect from time to

time, including, if applicable, rules and regulations promulgated thereunder; (5) unless expressly stated otherwise, reference to any Article, Section or Appendix means such Article of this LGIA or such Appendix to this LGIA, or such Section to the GIDAP or such Appendix to the GIDAP, as the case may be; (6) “hereunder”, “hereof”, “herein”, “hereto” and words of similar import shall be deemed references to this LGIA as a whole and not to any particular Article or other provision hereof or thereof; (7) “including” (and with correlative meaning “include”) means including without limiting the generality of any description preceding such term; and (8) relative to the determination of any period of time, “from” means “from and including”, “to” means “to but excluding” and “through” means “through and including”.

30.4 Entire Agreement. This LGIA, including all Appendices and Schedules attached hereto, constitutes the entire agreement among the Parties with reference to the subject matter hereof, and supersedes all prior and contemporaneous understandings or agreements, oral or written, between or among the Parties with respect to the subject matter of this LGIA. There are no other agreements, representations, warranties, or covenants which constitute any part of the consideration for, or any condition to, any Party’s compliance with its obligations under this LGIA.

30.5 No Third Party Beneficiaries. This LGIA is not intended to and does not create rights, remedies, or benefits of any character whatsoever in favor of any persons, corporations, associations, or entities other than the Parties, and the obligations herein assumed are solely for the use and benefit of the Parties, their successors in interest and, where permitted, their assigns.

30.6 Waiver. The failure of a Party to this LGIA to insist, on any occasion, upon strict performance of any provision of this LGIA will not be considered a waiver of any obligation, right, or duty of, or imposed upon, such Party.

Any waiver at any time by either Party of its rights with respect to this LGIA shall not be deemed a continuing waiver or a waiver with respect to any other failure to comply with any other obligation, right, duty of this LGIA. Termination or Default of this LGIA for any reason by the Interconnection Customer shall not constitute a waiver of the Interconnection Customer’s legal rights to obtain an interconnection from the Participating TO. Any waiver of this LGIA shall, if requested, be provided in writing.

30.7 Headings. The descriptive headings of the various Articles of this LGIA have been inserted for convenience of reference only and are of no significance in the interpretation or construction of this LGIA.



- 30.8 Multiple Counterparts.** This LGIA may be executed in two or more counterparts, each of which is deemed an original but all constitute one and the same instrument.
- 30.9 Amendment.** The Parties may by mutual agreement amend this LGIA by a written instrument duly executed by all of the Parties. Such amendment shall become effective and a part of this LGIA upon satisfaction of all Applicable Laws and Regulations.
- 30.10 Modification by the Parties.** The Parties may by mutual agreement amend the Appendices to this LGIA by a written instrument duly executed by all of the Parties. Such amendment shall become effective and a part of this LGIA upon satisfaction of all Applicable Laws and Regulations.
- 30.11 Reservation of Rights.** The CAISO and Participating TO shall each have the right to make a unilateral filing with FERC to modify this LGIA pursuant to section 205 or any other applicable provision of the Federal Power Act and FERC's rules and regulations thereunder with respect to the following Articles and Appendices of this LGIA and with respect to any rates, terms and conditions, charges, classifications of service, rule or regulation covered by these Articles and Appendices:

Recitals, 1, 2.1, 2.2, 2.3, 2.4, 2.6, 3.1, 3.3, 4.1, 4.2, 4.3, 4.4, 5 preamble, 5.4, 5.7, 5.8, 5.9, 5.12, 5.13, 5.18, 5.19.1, 7.1, 7.2, 8, 9.1, 9.2, 9.3, 9.5, 9.6, 9.7, 9.8, 9.10, 10.3, 11.4, 12.1, 13, 14, 15, 16, 17, 18, 19, 20, 21, 22, 23, 24.3, 24.4, 25.1, 25.2, 25.3 (excluding subparts), 25.4.2, 26, 28, 29, 30, Appendix D, Appendix F, Appendix G, and any other Article not reserved exclusively to the Participating TO or the CAISO below.

The Participating TO shall have the exclusive right to make a unilateral filing with FERC to modify this LGIA pursuant to section 205 or any other applicable provision of the Federal Power Act and FERC's rules and regulations thereunder with respect to the following Articles and Appendices of this LGIA and with respect to any rates, terms and conditions, charges, classifications of service, rule or regulation covered by these Articles and Appendices:

2.5, 5.1, 5.2, 5.3, 5.5, 5.6, 5.10, 5.11, 5.14, 5.15, 5.16, 5.17, 5.19 (excluding 5.19.1), 6, 7.3, 9.4, 9.9, 10.1, 10.2, 10.4, 10.5, 11.1, 11.2, 11.3, 11.5, 12.2, 12.3, 12.4, 24.1, 24.2, 25.3.1, 25.4.1, 25.5 (excluding 25.5.1), 27 (excluding preamble), Appendix A, Appendix B, Appendix C, and Appendix E.

The CAISO shall have the exclusive right to make a unilateral filing with FERC to modify this LGIA pursuant to section 205 or any other applicable provision of the Federal Power Act and FERC's rules and regulations thereunder with respect to



the following Articles of this LGIA and with respect to any rates, terms and conditions, charges, classifications of service, rule or regulation covered by these Articles:

3.2, 4.5, 11.6, 25.3.2, 25.5.1, and 27 preamble.

The Interconnection Customer, the CAISO, and the Participating TO shall have the right to make a unilateral filing with FERC to modify this LGIA pursuant to section 206 or any other applicable provision of the Federal Power Act and FERC's rules and regulations thereunder; provided that each Party shall have the right to protest any such filing by another Party and to participate fully in any proceeding before FERC in which such modifications may be considered. Nothing in this LGIA shall limit the rights of the Parties or of FERC under sections 205 or 206 of the Federal Power Act and FERC's rules and regulations thereunder, except to the extent that the Parties otherwise mutually agree as provided herein.

30.12 No Partnership. This LGIA shall not be interpreted or construed to create an association, joint venture, agency relationship, or partnership among the Parties or to impose any partnership obligation or partnership liability upon any Party. No Party shall have any right, power or authority to enter into any agreement or undertaking for, or act on behalf of, or to act as or be an agent or representative of, or to otherwise bind, another Party.

30.13 Joint and Several Obligations. Except as otherwise provided in this LGIA, the obligations of the CAISO, the Participating TO, and the Interconnection Customer are several, and are neither joint nor joint and several.



IN WITNESS WHEREOF, the Parties have executed this LGIA in multiple originals, each of which shall constitute and be an original effective agreement among the Parties.

16DO 8me LLC

By: DocuSigned by:
Thomas Buttgenbach
45638ED963BE4D9...
Name: Thomas Buttgenbach
Title: President
Date: 1/28/2022

Southern California Edison Company

By: DocuSigned by:
Greg Ferree
6E1E83BD01DF44A...
Name: Greg Ferree
Title: VP, Vegetation, Inspections & Ops Services
Date: 1/21/2022

California Independent System Operator Corporation

By: DocuSigned by:
Neil Millar
9236FA183EA64FB...
Name: Neil Millar
Title: Vice President Infrastructure and Ops Planning
Date: 1/20/2022

APPENDICES TO LGIA

Appendix A Interconnection Facilities, Network Upgrades and Distribution Upgrades

Appendix B Milestones

Appendix C Interconnection Details

Appendix D Security Arrangements Details

Appendix E Commercial Operation Date

Appendix F Addresses for Delivery of Notices and Billings

Appendix G Interconnection Customer's Share of Costs of Network Upgrades for Applicable Project Group

Appendix H Interconnection Requirements for an Asynchronous Generating Facility

Appendix A

Interconnection Facilities, Network Upgrades and Distribution Upgrades

Additional Definitions: For the purposes of the Appendices to the LGIA, the following terms, when used with initial capitalization, whether in the singular or the plural, shall have the meanings specified below:

- (a) Annual Tax Security Reassessment: The annual reassessment of the current tax liability in accordance with the directives of FERC Orders 2003-A and 2003-B associated with Article 5.17.4 of the LGIA which will commence the first year after Interconnection Customer's in-service date.
- (b) Area Delivery Network Upgrades Cost: The Interconnection Customer's allocated share of all costs, excluding One-Time Cost, determined by the Participating TO to be associated with the design, engineering, procurement, construction and installation of the Area Delivery Network Upgrades constructed and owned by the Participating TO. The Area Delivery Network Upgrades Cost is provided in Section 5 of this Appendix A.
- (c) BES Cyber Asset: A programmable electronic device, including the hardware, software, and data in that device, that if rendered unavailable, degraded, or misused would, within 15 minutes of its required operation, misoperation, or non-operation, adversely impact one or more facilities, systems, or equipment, which, if destroyed, degraded, or otherwise rendered unavailable when needed, would affect the reliable operation of the Bulk Electric System, as that term is defined in NERC's Glossary of Terms.
- (d) Charging Capacity: The capacity provided under this LGIA for the Storage Energy of a Large Generating Facility that includes storage, subject to available capacity on the CAISO Controlled Grid and the applicable congestion management procedures in the CAISO Tariff.
- (e) Construction Activities: Actions by the Participating TO that result in irrevocable financial commitments for the purchase of major electrical equipment or land for Participating TO's Interconnection Facilities or Network Upgrades assigned to the Interconnection Customer that occur after receipt of all appropriate governmental approvals needed for the Participating TO's Interconnection Facilities or Network Upgrades.
- (f) Customer-Financed Monthly Rate for Non-ISO-Controlled Facilities: As defined in Appendix X of the Transmission Owner Tariff. The currently effective Customer-Financed Monthly Rate for Non-ISO-Controlled Facilities is as



provided in Appendix X of the Transmission Owner Tariff.

- (g) Distribution Upgrades Charge: The monthly charge to the Interconnection Customer to recover the revenue requirements for the Participating TO's Distribution Upgrades, calculated as the product of the Customer-Financed Monthly Rate for Non-ISO-Controlled Facilities and the Distribution Upgrades Cost. The Distribution Upgrades Charge is provided in Section 5 of this Appendix A.
- (h) Distribution Upgrades Completion Date: The date upon which the construction of the Distribution Upgrades is complete and such facilities are successfully tested and ready for service.
- (i) Distribution Upgrades Cost: The Interconnection Customer's allocated share of all costs, excluding One-Time Cost, determined by the Participating TO to be associated with the design, engineering, procurement, construction and installation of the Distribution Upgrades. The Distribution Upgrades Cost is provided in Section 5 of this Appendix A.
- (j) Generation Tie-Line: The generation tie-line described in Section 1(a)(ii) of this Appendix A which is designated as the Vincent – Marcott 500 kV Transmission Line.
- (k) Identified Affected System: As defined in Appendix A of the CAISO Tariff.
- (l) Interconnection Facilities Charge: The monthly charge to the Interconnection Customer to recover the revenue requirements for the Participating TO's Interconnection Facilities, calculated as the product of the Customer-Financed Monthly Rate for Non-ISO-Controlled Facilities and the Interconnection Facilities Cost. The Interconnection Facilities Charge is provided in Section 5 of this Appendix A.
- (m) Interconnection Facilities Completion Date: The date upon which the construction of the Participating TO's Interconnection Facilities is complete and such facilities are successfully tested and ready for service.
- (n) Interconnection Facilities Cost: All costs, excluding One-Time Cost, determined by the Participating TO to be associated with the design, engineering, procurement, construction and installation of the Participating TO's Interconnection Facilities. The Interconnection Facilities Cost is provided in Section 5 of this Appendix A.
- (o) ITCC (Income Tax Component of Contribution): As defined in Appendix X of the Transmission Owner Tariff.



- (p) Local Delivery Network Upgrades Cost: The Interconnection Customer's allocated share of all costs, excluding One-Time Cost, determined by the Participating TO to be associated with the design, engineering, procurement, construction and installation of the Local Delivery Network Upgrades constructed and owned by the Participating TO. The Local Delivery Network Upgrades Cost is provided in Section 5 of this Appendix A.
- (q) One-Time Cost: All costs determined by the Participating TO to be associated with the installation of the Participating TO's Interconnection Facilities, Distribution Upgrades, Participating TO's Reliability Network Upgrades, or Participating TO's Delivery Network Upgrades which are not capitalized. The One-Time Cost is provided in Section 5 of this Appendix A.
- (r) Reliability Network Upgrades Cost: The Interconnection Customer's allocated share of all costs, excluding One-Time Cost, determined by the Participating TO to be associated with the design, engineering, procurement, construction and installation of the Participating TO's Reliability Network Upgrades. The Reliability Network Upgrades Cost is provided in Section 5 of this Appendix A.
- (s) Remedial Action Scheme (RAS): As defined in Appendix A of the CAISO Tariff.
- (t) Shared BES Cyber Asset Facility: A location containing BES Cyber Asset(s) for which both the Interconnection Customer and the Participating TO claim ownership of either the physical building, parcel of land, or devices inside the property line of the location.
- (u) Storage Energy: The flow of wholesale electric energy from the CAISO Controlled Grid solely to charge the storage component of the Large Generating Facility from the CAISO Controlled Grid for later redelivery of such energy, net of Large Generating Facility losses, to the CAISO Controlled Grid. Storage Energy does not include the delivery of energy for purposes that are subject to the Participating TO's retail tariff.
- (v) Tax Security: The Interconnection Customer's provision of security with respect to the Interconnection Customer's tax indemnification obligations, provided in accordance with Article 5.17.3. The Tax Security is provided in Section 5 of this Appendix A.
- (w) Transmission Owner Tariff: The Participating TO's Tariff designated as FERC Electric Tariff, Volume No. 6, as such tariff may be amended or superseded.

The following definitions from Article 1 – Definitions of the LGIA, Appendix EE of the CAISO Tariff, that were approved as per FERC Docket No. ER19-2679 to be applicable for projects in CAISO Queue Cluster 11 and forward, do not apply to this LGIA as this project belongs to a prior CAISO Queue Cluster:

Assigned Network Upgrade (ANU), Conditionally Assigned Network Upgrade (CANU), Current Cost Responsibility (CCR), General Reliability Network Upgrade (GRNU), Interconnection Reliability Network Upgrades (IRNU), Maximum Cost Exposure (MCE), Maximum Cost Responsibility (MCR), Precursor Network Upgrades (PNU).

1. Interconnection Facilities:

(a) Interconnection Customer's Interconnection Facilities: The

Interconnection Customer shall:

- (i) Install a substation with six (6) 500 / 34.5 / 13.8 kV wye grounded-delta-wye grounded main step-up transformer with a 10.5 percent impedance on a 133 MVA base.
- (ii) Install the Generation Tie-Line consisting of a new 24.4 mile, 1,272 kcmil aluminum conductor steel reinforced 500kV transmission line with normal (continuous) rating of 2368 A and an emergency (four hour) rating of 2,563 A, from the Large Generating Facility to a position designated by the Participating TO, outside of the Participating TO's Vincent Substation, where Interconnection Customer shall install a structure designed and engineered in accordance with the Participating TO's specifications ("Last Structure"). The right-of-way for the Generation Tie-Line shall extend up to the edge of the Vincent Substation property line.
- (iii) Install optical ground wire ("OPGW") on the Generation Tie-Line to provide one of three telecommunication paths required for the line protection scheme, the remote terminal units ("RTUs"). A minimum of eight (8) strands within the OPGW shall be provided for the Participating TO's exclusive use into Vincent Substation, which includes a minimum of six (6) digital channels to support the line protection scheme.
- (iv) Install appropriate single-mode fiber optic cable from the Large Generating Facility to a point designated by the Participating TO near the Participating TO's Vincent Substation to provide the second telecommunication path required for the line protection scheme and the RAS. A minimum of eight (8) strands within the single-mode fiber optic cable shall be provided for the Participating TO's exclusive use. The telecommunication path shall meet the Applicable Reliability Standards criteria for diversity.
- (v) Install appropriate single mode fiber optic cables from the Large Generating Facility to a point designated by the Participating TO near the Participating TO's Vincent Substation to provide a third telecommunication path required for the Generation Tie-Line protection scheme. A minimum of eight (8) strands within the single mode fiber optic cable shall be provided for the Participating TO's exclusive use, which includes a minimum of six (6) digital channels to support Generation Tie-Line protection. The telecommunication path shall meet the Applicable Reliability Standards criteria for diversity.
- (vi) Own, operate and maintain all three telecommunication paths (including OPGW, any fiber-optic cables, and appurtenant facilities), with the exception of the terminal equipment at both Vincent Substation and at the

- Large Generating Facility, which terminal equipment will be installed, owned, operated and maintained by the Participating TO.
- (vii) Allow the Participating TO to review the Interconnection Customer's telecommunication equipment design and perform inspections to ensure compatibility with the Participating TO's terminal equipment and protection engineering requirements; allow the Participating TO to perform acceptance testing of the telecommunication equipment and the right to request and/or to perform correction of installation deficiencies.
 - (viii) Provide required data signals, make available adequate space, facilities, and associated dedicated electrical circuits within a secure building having suitable environmental controls for the installation of the Participating TO's RTU in accordance with the Interconnection Handbook. The Participating TO's RTU is a BES Cyber Asset and the Interconnection Customer shall cooperate with the Participating TO in implementing and adhering to required security protections in accordance with Applicable Reliability Standards. In accordance with Article 5.12 of this LGIA, the Interconnection Customer acknowledges that the access required under such section will include Participating TO's personnel ability to access twenty-four hours a day the space provided for the Participating TO's RTU.
 - (ix) Make available adequate space, facilities, and associated dedicated electrical circuits within a secure building having suitable environmental controls for the installation of the Participating TO's telecommunications terminal equipment in accordance with the Interconnection Handbook. In accordance with Article 5.12 of this LGIA, the Interconnection Customer acknowledges that the access required under such section will include Participating TO's personnel ability to access twenty-four hours a day the space provided for the Participating TO's telecommunications terminal equipment.
 - (x) Extend the main and diverse fiber-optic cables for the three telecommunication paths to Interconnection Customer provided and installed patch panels located adjacent to the Participating TO's telecommunications terminal equipment specified above.
 - (xi) Install all required CAISO-approved compliant metering equipment at the Large Generating Facility, in accordance with Section 10 of the CAISO Tariff.
 - (xii) Pursuant to Article 7.3 of this LGIA, install a metering cabinet and metering equipment (typically, potential and current transformers) at the Large Generating Facility to meter the Large Generating Facility retail load, as specified by the Participating TO. In accordance with Article 5.12 of this LGIA, the Interconnection Customer acknowledges that the access required under such section will include Participating TO's personnel ability to access twenty-four hours a day the metering cabinet provided for the Participating TO's metering equipment.
 - (xiii) Pursuant to Article 7 of this LGIA, install a metering cabinet(s) and metering equipment (typically, potential and current transformers) at the

Large Generating Facility to meter the Charging Demand, as specified by the Participating TO. In accordance with Article 5.12 of this LGIA, the Interconnection Customer acknowledges that the access required under such section will include Participating TO's personnel ability to access twenty-four hours a day the metering cabinet(s) provided for the Participating TO's metering equipment.

- (xiv) Pursuant to Article 7.3 of this LGIA, allow the Participating TO to install, in the metering cabinet provided by the Interconnection Customer, meters required to meter the retail load at the Large Generating Facility.
- (xv) Pursuant to Article 7 of this LGIA, allow the Participating TO to install, in the metering cabinet(s) provided by the Interconnection Customer, meters required to meter the Charging Demand at the Large Generating Facility.
- (xvi) Install relay protection to be specified by the Participating TO to match the relay protection used by the Participating TO at Vincent Substation, in order to protect the Generation Tie-Line, as follows:
 - 1. Three (3) line current differential relays, which will include transfer trip capabilities. The make and type of current differential relays will be specified by the Participating TO during final engineering of the Participating TO's Interconnection Facilities.
- (xvii) Install all equipment necessary to comply with the power factor requirements of Article 9.6.1 of the LGIA, including the ability to regulate the power factor to maintain a voltage schedule (VAR schedule) in accordance with Article 9.6.2 of the LGIA. [The power factor requirements specified in Article 9.6.1 shall be as measured at the high-side of the Interconnection Customer's 500/34.5.13.8 kV Substation.
- (xviii) Install disconnect facilities in accordance with the Participating TO's Interconnection Handbook to comply with the Participating TO's switching and tagging procedures.
- (xix) Acquire the necessary rights-of-way for the Interconnection Customer's Interconnection Facilities.
- (xx) Perform the necessary environmental studies and obtain permits for the Interconnection Customer's Interconnection Facilities and perform the environmental activities related to the Participating TO's Interconnection Facilities as described in the Section 1(b) and the Interconnection Reliability Network Upgrades as described in Section 2(b)(i) of Appendix A of the LGIA.
- (xxi) Submit to the Participating TO and the CAISO, the final PSCAD model of the Large Generating Facility as part of the "as-built" drawings, information and documents required pursuant to Article 5.10.3 of the LGIA by the date specified in Appendix B.

(b) **Participating TO's Interconnection Facilities:** The Participating TO shall:

(i) **Vincent Substation.**

- 1. Install facilities for a new 500kV switchrack position to terminate the Generation Tie-Line. This work includes the following:
 - a. One (1) 500kV dead-end substation structure.

- b. Three (3) 500kV coupling capacitor voltage transformers (“CCVTs”) with steel pedestal support structures.
 - c. Three (3) 500kV line drops.
 2. Install the following relays to protect the Generation Tie-Line:
 - Three (3) line current differential relays which include transfer trip capabilities, via diversely routed dedicated digital communications channels to the Large Generating Facility. The make and type of current differential relays will be specified by the Participating TO during final engineering of the Participating TO’s Interconnection Facilities.
- (ii) **Generation Tie-Line.**

Install an appropriate number of 500kV transmission tower structures including insulator/hardware assemblies, and appropriate number of spans of conductor and OPGW between the Last Structure and the dead-end substation structure at Vincent Substation. The actual number and location of the transmission tower structures and spans of conductor and OPGW will be determined by the Participating TO following completion of final engineering of the Participating TO’s Interconnection Facilities. The Phase II Interconnection Study assumed four (4) transmission tower structures and five (5) spans of conductor.
- (iii) **Telecommunications.**
 1. Install all required lightwave, channel, and associated equipment (including terminal equipment), supporting protection and the RTU requirements at the Large Generating Facility and Vincent Substation for the interconnection of the Large Generating Facility. Notwithstanding that certain telecommunication equipment, including the telecommunications terminal equipment, will be located on the Interconnection Customer’s side of the Point of Change of Ownership, the Participating TO shall own, operate and maintain such telecommunication equipment as part of the Participating TO’s Interconnection Facilities.
 2. Install appropriate length of fiber optic cable, including conduit and vaults, from the Vincent Substation 500kV switchrack to extend the fiber optic cable and conduit into the communication room at Vincent Substation. The actual location and length of fiber optic cable and conduit, and location and number of vaults, will be determined during final engineering of the Participating TO’s Interconnection Facilities. The 2021 Reassessment Study assumed the installation of approximately 250 feet of underground fiber optic cable and associated conduit, and one (1) 4’ X 4’ X 6’ vault to extend the fiber optic cable into the communication room at Vincent Substation.
 3. Install appropriate length of fiber optic cable, including conduit and vaults, to extend the Interconnection Customer’s second diverse telecommunications from the point designated by the Participating TO near the Participating TO’s Vincent Substation into the communication room at Vincent Substation. The actual location and length of fiber

optic cable and conduit, and location and number of vaults, will be determined during final engineering of the Participating TO's Interconnection Facilities. The 2021 Reassessment Study assumed the installation of approximately 250 feet of underground fiber optic cable and associated conduit, and one (1) vault to extend the Interconnection Customer's diverse telecommunications into the communication room at Vincent Substation.

4. Install appropriate length of fiber optic cable, including conduit and vaults, from the point designated by the Participating TO to extend the Interconnection Customer's third diverse fiber optic cable to into the communication room at Vincent Substation. The actual location and length of fiber optic cable and conduit, and location and number of vaults, will be determined during final engineering of the Participating TO's Interconnection Facilities. The 2021 Reassessment Study assumed the installation of approximately 950 feet of underground fiber optic cable and associated conduit, and one (1) 4' x 4' x 6' vault to extend the fiber optic cable into the communication room at Vincent Substation.

(iv) **Metering.**

1. Pursuant to Article 7.3 of this LGIA, install meters required to meter the retail load at the Large Generating Facility. Notwithstanding that the meters will be located on the Interconnection Customer's side of the Point of Change of Ownership, the Participating TO shall own, operate and maintain such facilities as part of the Participating TO's Interconnection Facilities.
2. Pursuant to Article 7 of this LGIA, install meters required to meter the Charging Demand at the Large Generating Facility. Notwithstanding that the meters will be located on the Interconnection Customer's side of the Point of Change of Ownership, the Participating TO shall own, operate and maintain such facilities as part of the Participating TO's Interconnection Facilities.

(v) **Power System Control.**

1. Install one (1) RTU at the Large Generating Facility to monitor typical generation elements such as MW, MVAR, terminal voltage and circuit breaker status for the Large Generating Facility and plant auxiliary load, and transmit the information received thereby to the Participating TO's grid control center. Notwithstanding that the RTU will be located on the Interconnection Customer's side of the Point of Change of Ownership, the Participating TO shall own, operate and maintain the RTU as part of the Participating TO's Interconnection Facilities.
2. Add points to the existing RTU at Vincent Substation to include points for the new protection relay / status / alarm / control.

- (vi) Review the "as-built" drawings, information and documents, as applicable, for Interconnection Customer's Interconnection Facilities and Large Generating Facility submitted by the Interconnection Customer in

accordance with Article 5.10.3 of the LGIA, and the final PSCAD model of the Generating Facility, to ensure the consistency of such documentation with that provided by the Interconnection Customer during the interconnection process and relied upon in the Interconnection Studies.

(vii) **Real Properties.**

Obtain easements and/or acquire land for the installation of the Participating TO's Interconnection Facilities, including any associated telecommunication equipment.

(viii) **Environmental Activities, Permits, and Licensing.**

Perform and or coordinate all required environmental activities, and obtain required licensing and permits for the installation of the Participating TO's Interconnection Facilities, including any associated telecommunication equipment.

The Interconnection Customer shall:

Perform the environmental activities related to the Participating TO's Interconnection Facilities

The Interconnection Customer shall provide the Participating TO an accounting of the actual costs incurred by the Interconnection Customer for the environmental services work described above for the Participating TO's Interconnection Facilities in a form acceptable to the Participating TO (the "Environmental Services Costs Declaration"). The Environmental Services Costs Declaration will be provided to the Interconnection Customer prior to the commencement of Construction Activities and shall be completed, signed by an authorized representative, and returned by the Interconnection Customer by the date set forth in Appendix B of the LGIA. The actual cost information provided by the Interconnection Customer will be used by the Participating TO in determining the Interconnection Facilities Charge and applicable ITCC as part of the final accounting of costs pursuant to Article 12.2 of the LGIA, and is subject to audit by the Participating TO in accordance with Article 25 of the LGIA.

The Interconnection Customer understands and acknowledges that should the environmental services work performed by the Interconnection Customer not meet the industry standards utilized in the State of California or by the Participating TO in accordance with Applicable Laws and Regulations, as determined by Participating TO, the Interconnection Customer shall be required to remedy all deficiencies under the Participating TO's direction.

2. Network Upgrades:

(a) **Stand Alone Network Upgrades:** None.

(b) **Other Network Upgrades:**

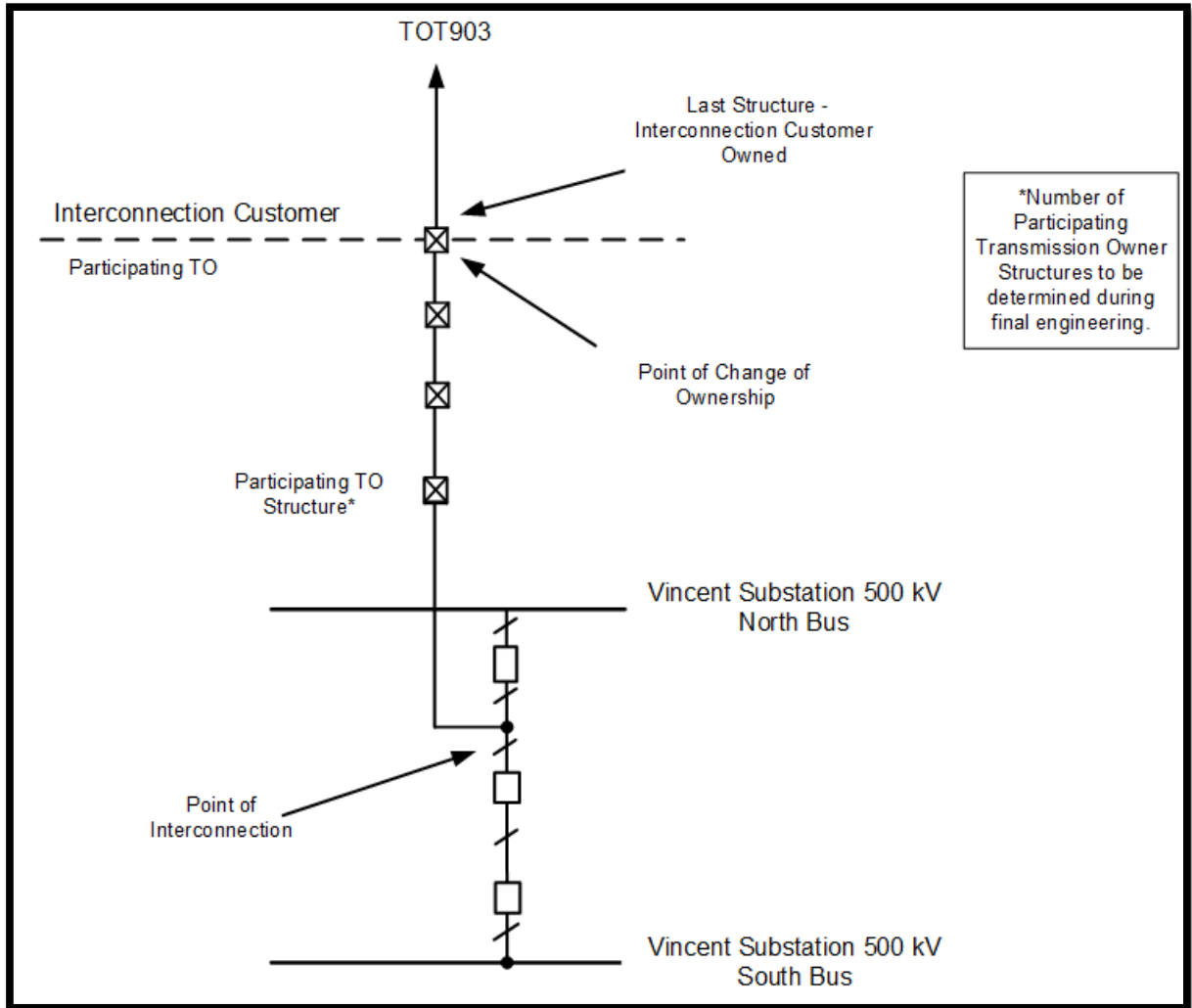
(i) **Participating TO's Reliability Network Upgrades.**

1. **Interconnection Reliability Network Upgrades.** The Participating TO shall:

a. Vincent Substation.

- Install one (1) 500 kV line position which includes the following equipment:
- i. Two (2) 500 kV circuit breakers comprised of three (3) single phase units.
 - ii. Three (3) 500 kV single phase group operated disconnect switches with grounding attachment.
 - iii. Nine (9) 500 kV single phase group operated disconnect switches.
 - iv. Forty-five (45) post insulators.
 - v. Two (2) local breaker failure backup relays.
- b. **Environmental Activities, Permits, and Licensing.** Perform and/or coordinate the required environmental activities and obtain required licensing and permits for the installation of the Interconnection Reliability Network Upgrades, if applicable. Refer to Appendix A, section D.4 for assumptions related to environmental activities, permits, and licensing.
2. **General Reliability Network Upgrades.** None identified in the Phase II Interconnection Study
 - (i) **Participating TO's Delivery Network Upgrades.**
 1. **Area Delivery Network Upgrades.** None identified in the Phase II Interconnection Study.
 2. **Local Delivery Network Upgrades.** None identified in the Phase II Interconnection Study.
3. **Distribution Upgrades:** None identified in the Phase II Interconnection Study.
4. **Point of Change of Ownership, Point of Interconnection and One-Line Diagram of Interconnection:**
 - (a) **Point of Change of Ownership.**
 - (i) **Generation Tie-Line:** The Point of Change of Ownership shall be the point where the conductors of the Generation Tie-Line are attached to the Last Structure, which will be connected on the side of the Last Structure facing Vincent Substation. The Interconnection Customer shall own and maintain the Last Structure, the conductors, insulators and jumper loops from such Last Structure to the Interconnection Customer's Large Generating Facility. The Participating TO will own and maintain the Vincent Substation, as well as all circuit breakers, disconnects, relay facilities and metering within the Vincent Substation, together with the line drop, in their entirety, from the Last Structure to Vincent Substation. The Participating TO will own the insulators that are used to attach the Participating TO-owned conductors to the Last Structure.
 - (ii) **Telecommunication main fiber optic cable:** The Point of Change of Ownership shall be the point where the fiber optic cable for the Generation Tie-Line is attached to the Participating TO owned fiber optic cable.

- (iii) Telecommunication diverse fiber-optic cable: The Point of Change of Ownership shall be the point at an Interconnection Customer installed and owned pole located at a position designated by the Participating TO outside the Participating TO’s substation, or a Participating TO owned vault, where the Interconnection Customer’s fiber-optic cable is connected to the Participating TO’s fiber optic cable.
- (b) **Point of Interconnection.** The Participating TO’s Vincent Substation at the 500kV bus.
- (c) **One-Line Diagram of Interconnection.**



5. Cost of Interconnection Facilities, Distribution Upgrades and Network Upgrades, Payment Schedule, On-Going Monthly Charges and Financial Security:

- (a) **Estimated Cost.**



Element	Interconnection Facilities Cost	Distribution Upgrades Cost	Reliability Network Upgrades Cost	Area Delivery Network Upgrades Cost	Local Delivery Network Upgrades Cost	One-Time Cost	Total
Participating TO's Interconnection Facilities							
Substation	\$3,691,788						\$3,691,788
Transmission	\$7,957,919						\$7,957,919
Telecommunications	\$1,559,300						\$1,559,300
Metering Services	\$201,980						\$201,980
Power System Controls	\$84,909					\$31,053	\$115,962
Real Properties	\$111,970						\$111,970
Environmental Services	\$99,602						\$99,602
PSCAD model and as-build validation	\$0.00					\$9,530	\$9,530
Subtotal	\$13,707,468					\$40,583	\$13,748,051
Distribution Upgrades - None							
Subtotal		\$0.00				\$0.00	\$0.00
Participating TO's Reliability Network Upgrades							
IRNUs							
Substation			\$7,493,467				\$7,493,467
Environmental Services			\$18,145				\$18,145
Subtotal			\$7,511,612			\$0.00	\$7,511,612
Area Delivery Network Upgrades - None							
Subtotal				\$0.00		\$0.00	\$0.00
Local Delivery Network Upgrades - None							
Subtotal					\$0.00	\$0.00	\$0.00
Total	\$13,707,468	\$0.00	\$7,511,612	\$0.00	\$0.00	\$40,583	\$21,259,663

All amounts shown above are in nominal dollars and reflect the Interconnection Customer's Current Cost Responsibility for the Participating TO's Reliability Network Upgrades and Local Delivery Network Upgrades as of the date of the final Phase II Interconnection Study report dated November 20, 2020, and the 2021 Reassessment Study Report dated August 31, 2021. The Current Cost Responsibility is subject to change pursuant to the GIDAP.

As of the date of the final Phase II Interconnection Study report dated November 20, 2020 and the 2021 Reassessment Study Report dated August 31, 2021 the Interconnection Customer's Maximum Cost Responsibility and Maximum Cost Exposure for the Participating TO's Reliability Network Upgrades and Local Delivery Network Upgrades are \$7,622,300 and \$9,082,000 expressed in 2025 constant dollars, respectively. The Maximum Cost Responsibility and Maximum Cost Exposure are each subject to change pursuant to the GIDAP.



The costs associated with any mitigation measures required to third party transmission systems, which result from interconnection of the Large Generating Facility to the Participating TO's electrical system, are not reflected in this LGIA.

(b) Payment Schedule.

The payment amounts shown below are based on an estimate of the monthly incurred costs for the Participating TO's Interconnection Facilities, Distribution Upgrades, and Network Upgrades

Payment No.	Payment Due Date	Interconnection Facilities Cost	Distribution Upgrades Cost	Reliability Network Upgrades Cost	Area Delivery Network Upgrades Cost	Local Delivery Network Upgrades Cost	One-Time Cost	Project Payment
1	4/1/2022	\$61,627	\$0.00	\$33,771	\$0.00	\$0.00	\$183	\$95,581
2	5/1/2022	\$73,335	\$0.00	\$40,187	\$0.00	\$0.00	\$217	\$113,739
3	6/1/2022	\$87,096	\$0.00	\$47,728	\$0.00	\$0.00	\$258	\$135,082
4	7/1/2022	\$103,202	\$0.00	\$56,555	\$0.00	\$0.00	\$306	\$160,063
5	8/1/2022	\$121,952	\$0.00	\$66,829	\$0.00	\$0.00	\$361	\$189,142
6	9/1/2022	\$143,645	\$0.00	\$78,716	\$0.00	\$0.00	\$425	\$222,786
7	10/1/2022	\$168,551	\$0.00	\$92,365	\$0.00	\$0.00	\$499	\$261,415
8	11/1/2022	\$196,895	\$0.00	\$107,897	\$0.00	\$0.00	\$583	\$305,375
9	12/1/2022	\$228,806	\$0.00	\$125,385	\$0.00	\$0.00	\$677	\$354,868
10	1/1/2023	\$264,284	\$0.00	\$144,827	\$0.00	\$0.00	\$783	\$409,894
11	2/1/2023	\$303,136	\$0.00	\$166,116	\$0.00	\$0.00	\$898	\$470,150
12	3/1/2023	\$344,919	\$0.00	\$189,014	\$0.00	\$0.00	\$1,021	\$534,954
13	4/1/2023	\$397,481	\$0.00	\$217,817	\$0.00	\$0.00	\$1,176	\$616,474
14	5/1/2023	\$443,580	\$0.00	\$243,079	\$0.00	\$0.00	\$1,313	\$687,972
15	6/1/2023	\$489,381	\$0.00	\$268,178	\$0.00	\$0.00	\$1,449	\$759,008
16	7/1/2023	\$533,129	\$0.00	\$292,152	\$0.00	\$0.00	\$1,579	\$826,860
17	8/1/2023	\$572,848	\$0.00	\$313,918	\$0.00	\$0.00	\$1,696	\$888,462
18	9/1/2023	\$606,498	\$0.00	\$332,358	\$0.00	\$0.00	\$1,796	\$940,652
19	10/1/2023	\$632,157	\$0.00	\$346,419	\$0.00	\$0.00	\$1,871	\$980,447
20	11/1/2023	\$648,248	\$0.00	\$355,236	\$0.00	\$0.00	\$1,920	\$1,005,404
21	12/1/2023	\$653,733	\$0.00	\$358,242	\$0.00	\$0.00	\$1,935	\$1,013,910
22	1/1/2024	\$648,248	\$0.00	\$355,236	\$0.00	\$0.00	\$1,920	\$1,005,404
23	2/1/2024	\$632,157	\$0.00	\$346,419	\$0.00	\$0.00	\$1,871	\$980,447
24	3/1/2024	\$606,498	\$0.00	\$332,358	\$0.00	\$0.00	\$1,796	\$940,652
25	4/1/2024	\$585,399	\$0.00	\$320,795	\$0.00	\$0.00	\$1,733	\$907,927
26	5/1/2024	\$544,808	\$0.00	\$298,551	\$0.00	\$0.00	\$1,613	\$844,972
27	6/1/2024	\$500,101	\$0.00	\$274,052	\$0.00	\$0.00	\$1,481	\$775,634
28	7/1/2024	\$453,296	\$0.00	\$248,403	\$0.00	\$0.00	\$1,342	\$703,041
29	8/1/2024	\$406,187	\$0.00	\$222,589	\$0.00	\$0.00	\$1,202	\$629,978
30	9/1/2024	\$360,254	\$0.00	\$197,417	\$0.00	\$0.00	\$1,066	\$558,737
31	10/1/2024	\$316,612	\$0.00	\$173,501	\$0.00	\$0.00	\$937	\$491,050
32	11/1/2024	\$276,034	\$0.00	\$151,264	\$0.00	\$0.00	\$817	\$428,115
33	12/1/2024	\$238,977	\$0.00	\$130,958	\$0.00	\$0.00	\$707	\$370,642
34	1/2/2025	\$205,647	\$0.00	\$112,693	\$0.00	\$0.00	\$609	\$318,949
35	2/1/2025	\$176,043	\$0.00	\$96,471	\$0.00	\$0.00	\$521	\$273,035
36	3/1/2025	\$150,031	\$0.00	\$82,216	\$0.00	\$0.00	\$444	\$232,691
37	4/1/2025	\$130,205	\$0.00	\$71,350	\$0.00	\$0.00	\$386	\$201,941
38	5/1/2025	\$110,186	\$0.00	\$60,381	\$0.00	\$0.00	\$327	\$170,894
39	6/1/2025	\$92,989	\$0.00	\$50,957	\$0.00	\$0.00	\$276	\$144,222
40	7/1/2025	\$78,297	\$0.00	\$42,906	\$0.00	\$0.00	\$231	\$121,434
41	8/1/2025	\$65,796	\$0.00	\$36,056	\$0.00	\$0.00	\$195	\$102,047
42	9/1/2025	\$55,200	\$0.00	\$30,250	\$0.00	\$0.00	\$163	\$85,613
Total		\$13,707,468		\$7,511,612			\$40,583	\$21,259,663

All amounts shown above are in nominal dollars.

In accordance with Article 11.4 of the LGIA, transmission credits are available as follows :

- a) Transmission credits for Participating TO's Reliability Network Upgrades = the lesser of the sum of the payments made for Reliability Network Upgrades or \$60,000 per MW, as



adjusted pursuant to Section 14.3.2.1 of the GIDAP, of the Large Generating Facility capacity at the time it achieves Commercial Operation.

- b) Transmission credits for Local Deliverability Network Upgrades = sum of the payments made for the Local Deliverability Network Upgrades = \$0.00

(c) On-Going Monthly Charges.

Commencing on or following the Interconnection Facilities Completion Date or Distribution Upgrades Completion Date, if applicable, each month the Participating TO will render bills to the Interconnection Customer for the Interconnection Facilities Charge and/or Distribution Upgrades Charge as set forth below. The Interconnection Facilities Charge and Distribution Upgrades Charge shall initially be based on the estimated Interconnection Facilities Cost and Distribution Upgrades Cost, and payments made for such Interconnection Facilities Charge and Distribution Upgrades Charge shall be subject to later adjustment to reflect actual costs.

In the event that any portion of the Participating TO’s Interconnection Facilities or Distribution Upgrades is not complete but, at the request of the Interconnection Customer, the Participating TO commences interconnection service under this LGIA notwithstanding the incomplete facilities, the Participating TO shall commence billing, and the Interconnection Customer shall pay, the Interconnection Facilities Charge and the Distribution Upgrades Charge, as applicable, commencing on the date that such service commences.

(i) Interconnection Facilities Charge.

Effective	Customer-Financed Monthly Rate for Non-ISO-Controlled Facilities	Estimated	
		Interconnection Facilities Cost	Interconnection Facilities Charge
As of the Interconnection Facilities Completion Date	See Section 4.1 of Appendix X to the Transmission Owner Tariff*	\$13,707,468	Customer-Financed Monthly Rate for Non-ISO-Controlled Facilities x Interconnection Facilities Cost

* Appendix X to the Transmission Owner Tariff is available at the following link: <https://www.sce.com/openaccess>

(ii) Distribution Upgrades Charge.

Effective	Customer-Financed Monthly Rate for Non-ISO-Controlled Facilities	Estimated	
		Distribution Upgrades Cost	Distribution Upgrades Charge
As of the Distribution Upgrades Completion Date	See Section 4.1 of Appendix X to the Transmission Owner Tariff*	\$0.00	Customer-Financed Monthly Rate for Non-ISO-Controlled Facilities x Distribution Upgrades Cost

* Appendix X to the Transmission Owner Tariff is available at the following link: <https://www.sce.com/openaccess>

**(d) Financial Security.****(i) Interconnection Financial Security.**

1. The Participating TO's Interconnection Facilities: Pursuant to Article 11.5 and Appendix B of the LGIA, the Interconnection Customer shall provide Interconnection Financial Security in the total amount of \$4,183,000 for the second posting and shall increase such amount to \$13,748,051 for the third posting to cover the costs for constructing, procuring and installing the Participating TO's Interconnection Facilities.
2. Distribution Upgrades: Pursuant to Appendix B of the LGIA, the Interconnection Customer shall provide Interconnection Financial Security in the total amount of \$0.00 to cover the costs for constructing, procuring and installing the Distribution Upgrades.
3. Network Upgrades: Pursuant to Article 11.5 and Appendix B of the LGIA, the Interconnection Customer shall provide Interconnection Financial Security in the total amount of \$2,287,00 for the second posting and shall increase such amount to \$7,511,612 for the third posting to cover the costs for constructing, procuring and installing the Network Upgrades.
4. To the extent that any Interconnection Financial Security is not utilized by the Participating TO, the release of such Interconnection Financial Security shall be made in accordance with the Interconnection Customer's instructions.

(ii) Security Amount for Estimated Tax Liability.

Pursuant to Article 5.17.4 of the LGIA, the Interconnection Customer's estimated tax liability is as follows:

1. Estimated tax liability for Participating TO's Interconnection Facilities = The sum of the product of (i) the applicable ITCC rate for the year payments are to be received, and (ii) the total of the payments to be received for the Interconnection Facilities Cost for that year.

Year(s) payments to be received	Applicable ITCC rate	Total payments to be received for Interconnection Facilities Cost	ITCC for Participating TO's Interconnection Facilities	Tax Security Due Date
2022	See Section 4.4 of Appendix X to the Transmission Owner Tariff*	\$1,185,109	Applicable ITCC rate x Total payments to be received for Interconnection Facilities Cost	April 1, 2022
2023	"	\$5,889,394	"	December 1, 2022
2024	"	\$5,568,571	"	December 1, 2023



2025	“	\$1,064,394	“	December 1, 2024
Total		\$13,707,468	Sum of the amount calculated for each year above	

* The estimated tax liability is based on the applicable ITCC rate in Appendix X to the Transmission Owner Tariff and is available at the following link:
<https://www.sce.com/openaccess>

2. Estimated tax liability for Distribution Upgrades = \$0.00

Based upon the total estimated tax liability, the Interconnection Customer shall provide the Participating TO Tax Security in the total amount as calculated above in this Section 5(d)(ii) of Appendix A of the LGIA in the form of a cash deposit in an escrow account, a letter of credit, a parent guaranty or other form reasonably acceptable to the Participating TO, pursuant to Article 5.17.3 and Appendix B of the LGIA. The amount of Tax Security provided each year will be cumulative following the first year to equal the total estimated tax liability due to the Participating TO. The letter of credit, cash deposit in an escrow account, or parent guaranty shall meet the requirements of Section 11.1 of the GIDAP.

Upon notification of the Annual Tax Security Reassessment, the Interconnection Customer shall modify its Tax Security accordingly. If the Annual Tax Security Reassessment results in a deficiency in the Tax Security amount, the Interconnection Customer will be required to increase its Tax Security amount within thirty (30) Calendar Days after receipt of the deficiency notification. If the Annual Tax Security Reassessment results in a reduction of the Tax Security amount, the Interconnection Customer may choose to reduce its Tax Security amount or maintain the Tax Security in the current amount for the following year.

The Interconnection Customer’s obligation to provide Tax Security shall terminate in accordance with Article 5.17.3 of this LGIA. Upon termination of the Interconnection Customer’s obligation to provide Tax Security, and Participating TO’s receipt of the Interconnection Customer’s written instructions regarding the release of any unused Tax Security, any unused amount of the Tax Security shall be released to the Interconnection Customer.



Appendix B

Milestones

1. The Interconnection Customer's Selected Option: Pursuant to Article 5.1 of the LGIA, the Interconnection Customer has selected the Standard Option.

2. Milestone Dates:

Item	Milestone	Responsible Party	Due Date
(a)	Submit proof of insurance coverage in accordance with Article 18.3 of the LGIA	Interconnection Customer	Within thirty (30) Calendar Days after the Effective Date
(b)	Submittal of written authorization to proceed with design of the Participating TO's Interconnection Facilities, Distribution Upgrades and Network Upgrades to the Participating TO and the CAISO, in accordance with Article 5.5.2 of the LGIA	Interconnection Customer	April 1, 2022
(c)	Submittal of second posting of Interconnection Financial Security for the Participating TO's Interconnection Facilities and Network Upgrades to the Participating TO, pursuant to Article 11.5 and Section 5(d)(i) of Appendix A of the LGIA	Interconnection Customer	Within one hundred eighty (180) Calendar Days after publication of the final Phase II Interconnection Study Report May 19, 2021
(d)	Submittal of third posting of Interconnection Financial Security for the Participating TO's Interconnection Facilities and Network Upgrades to the Participating TO, pursuant to Article 11.5 and Section 5(d)(i) of Appendix A of the LGIA	Interconnection Customer	On or before the start of Construction Activities estimated to be May 1, 2023.
(e)	Submittal of security for the Distribution Upgrades to the Participating TO pursuant to	Interconnection Customer	Not Applicable



Item	Milestone	Responsible Party	Due Date
	Section 5(d)(i) of Appendix A of the LGIA		
(f)	Submittal of written authorization to proceed with procurement and construction to the Participating TO and the CAISO, pursuant to Article 5.6.3 of the LGIA	Interconnection Customer	May 1, 2023
(g)	Submittal of Tax Security for the estimated tax liability to the Participating TO, pursuant to Article 5.17.3 and Section 5(d)(ii) of Appendix A of the LGIA	Interconnection Customer	On the dates specified in Section 5.d.ii of Appendix A of the LGIA
(h)	Submittal of initial specifications for the Interconnection Customer's Interconnection Facilities and Large Generating Facility, including System Protection Facilities, to the Participating TO and the CAISO, pursuant to Article 5.10.1 of the LGIA	Interconnection Customer	April 1, 2022
(i)	Review of and comment on the Interconnection Customer's initial specifications, pursuant to Article 5.10.1 of the LGIA	Participating TO and CAISO	Within thirty (30) Calendar Days after the Interconnection Customer's submission of initial specifications
(j)	Submittal of initial information including the Participating TO's Transmission System information necessary to allow the Interconnection Customer to select equipment, in accordance with Article 24.2 of the LGIA	Participating TO	April 1, 2022
(k)	Provide a copy of the Environmental Services Costs Declaration to the Interconnection Customer in accordance with Section 1.b of Appendix A of the LGIA	Participating TO	April 1, 2023
(l)	Submittal of final specifications for the	Interconnection Customer	At least twelve (12) months prior to



Item	Milestone	Responsible Party	Due Date
	Interconnection Customer's Interconnection Facilities and Large Generating Facility, including System Protection Facilities, to the Participating TO and the CAISO, as specified in Article 5.10.1 of the LGIA		completion of the Participating TO's Interconnection Facilities, Distribution Upgrades and Network Upgrades
(m)	Review of and comment on the Interconnection Customer's final specifications, pursuant to Article 5.10.1 of the LGIA	Participating TO and CAISO	Within thirty (30) Calendar Days after the Interconnection Customer's submission of final specifications
(n)	Submittal of updated information by the Interconnection Customer, including manufacturer information, in accordance with Article 24.3 of the LGIA	Interconnection Customer	No later than one hundred eighty (180) Calendar Days prior to Trial Operation
(o)	Notification of Balancing Authority Area to the Participating TO and the CAISO, pursuant to Article 9.2	Interconnection Customer	At least three (3) months prior to the Initial Synchronization Date
(p)	Completion of the Participating TO's Interconnection Facilities, Distribution Upgrades, and Network Upgrades	Participating TO	Within forty-two (42) months following Interconnection Customer's submittal of written authorization to proceed with design and within thirty (30) months following Interconnection Customer's submittal of written authorization to proceed with procurement and construction of the Participating TO's Interconnection Facilities, Distribution Upgrades and Network Upgrades, in accordance with



Item	Milestone	Responsible Party	Due Date
			Article 5.5.2 of the LGIA*
(q)	Performance of a complete calibration test and functional trip test of the System Protection Facilities, pursuant to Article 9.7.4.6 of the LGIA	Interconnection Customer and Participating TO	Prior to the In-Service Date
(r)	In-Service Date	Interconnection Customer	October 1, 2025
(s)	Testing of the Participating TO's Interconnection Facilities, Distribution Upgrades, Network Upgrades, and testing of the Interconnection Customer's Interconnection Facilities and Large Generating Facility, all in accordance with Article 6.1 of the LGIA	Interconnection Customer and Participating TO	At least thirty (30) Calendar Days prior to the Initial Synchronization Date
(t)	Provide the Participating TO written notice of the Interconnection Customer's expected date of initial synchronization of the Electric Generating Unit(s) at the Large Generating Facility to the CAISO Controlled Grid	Interconnection Customer	At least fifteen (15) Calendar Days prior to the Initial Synchronization Date
(u)	Provide the Interconnection Customer written notice that the required Participating TO facilities have been installed and tested, and have been approved to allow initial synchronization of the Electric Generating Unit(s) at the Large Generating Facility to the CAISO Controlled Grid and the commencement of Trial Operation in accordance with Article 6.1 of the LGIA	Participating TO	At least ten (10) Calendar Days prior to the Initial Synchronization Date
(v)	Provide the CAISO written notice of the expected Initial Synchronization Date and of the Participating TO's notice approving the readiness of the	Interconnection Customer	At least ten (10) Calendar Days prior to the Initial Synchronization Date



Item	Milestone	Responsible Party	Due Date
	required Participating TO facilities for initial synchronization of the Electric Generating Unit(s) at the Large Generating Facility to the CAISO Controlled Grid and the commencement of Trial Operation		
(w)	Initial Synchronization Date/Trial Operation	Interconnection Customer	October 15, 2025
(x)	Provide the CAISO and Interconnection Customer written notice that the required Participating TO facilities have been installed and tested, and have been approved to allow the Large Generating Facility to operate in parallel with the CAISO Controlled Grid	Participating TO	Within five (5) Calendar Days after the Initial Synchronization Date and satisfaction of the testing requirements of Articles 6.1 and 9.7.4.6 of the LGIA
(y)	Commercial Operation Date	Interconnection Customer	April 1, 2026
(z)	Provide the completed and signed Environmental Services Costs Declaration to the Participating TO in accordance with Section 1.b of Appendix A of the LGIA	Interconnection Customer	Within thirty (30) Calendar Days after the completion of the Participating TO's Interconnection Facilities, Distribution Upgrades, and Network Upgrades as reflected in milestone (p)
(aa)	Submittal to the Participating TO and the CAISO of "as-built" drawings, information and documents for the Interconnection Customer's Interconnection Facilities and the Electric Generating Units, including the final detailed PSCAD model of the Large Generating Facility, in accordance with Article 5.10.3 of the LGIA	Interconnection Customer	Within one hundred twenty (120) Calendar Days after the Commercial Operation Date, unless otherwise agreed



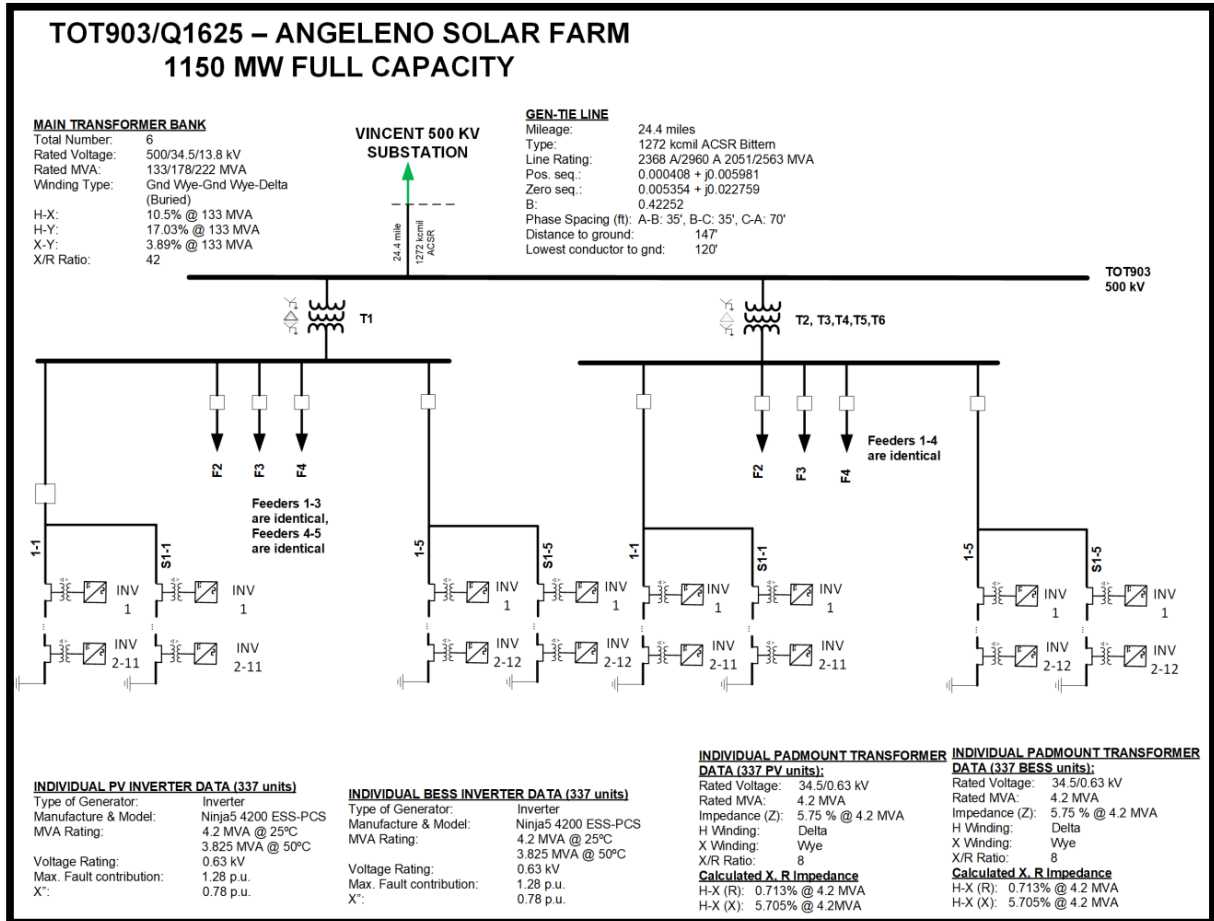
- * Note: Pursuant to Article 5.1.1, Participating TO shall use Reasonable Efforts to complete Participating TO's Interconnection Facilities, Distribution Upgrades, and Network Upgrades by the dates set forth above. In the event Participating TO reasonably expects that it will not be able to complete Participating TO's Interconnection Facilities, Distribution Upgrades, and Network Upgrades by the specified dates, Participating TO shall promptly provide written notice to Interconnection Customer and shall undertake Reasonable Efforts to meet the earliest dates thereafter.

Appendix C

Interconnection Details

- 1. Large Generating Facility:** All equipment and facilities comprising the Interconnection Customer's hybrid solar photovoltaic and battery energy storage system Angeleno Solar Farm generating facility in Los Angeles County, California, as disclosed by the Interconnection Customer in its Interconnection Request, as may have been amended during the Interconnection Study process, as summarized below:

CAISO Resource ID:	[insert Resource ID(s)]	
Description: (i) Three-hundred thirty-seven (337) Ninja5 4200 BESS inverters with a rated output of 4.2 MW @ $\leq 25^{\circ}\text{C}$ for the battery portion of the project, and three-hundred thirty-seven (337) Ninja 5 4200 PV inverters with a rated output of 4.2 MW @ $\leq 25^{\circ}\text{C}$ for the PV portion of the project, (ii) the associated infrastructure and step-up transformers, (iii) meters and metering equipment, and (iv) appurtenant equipment, (v) appropriate amount of static and dynamic reactive resources to provide for the 0.95 power factor (PF) requirements as outlined in FERC Order 827; these PF requirements must be satisfied under all ambient temperature conditions at the Generating Facility.		
Generating Facility Output		
Total rated (gross) capacity at inverter terminals:	1,415.4 MW at 25°C	1,415.4 MW at 25°C
Total net capability at high-side of main step-up transformer(s):	2,763.27 MW at 25°C	
Total net capacity provided under the LGIA at high-side of main step-up transformer(s):	1,155.25 MW	
Total net capacity provided under the LGIA at Point of Interconnection:	1,150 MW	
Generating Facility Charging		
Total rated charging capacity at inverter/converter terminals:	1,415.4 MW	
Total charging capability at high-side of main step-up transformer(s):	1,438.58 MW	
Total Charging Capacity provided under the LGIA at high-side of main step-up transformer(s):	1,164.81 MW	
Total Charging Capacity provided under the LGIA at Point of Interconnection:	1,169.87 MW	



The Interconnection Customer has requested, and this LGIA provides for, a total net output capacity of 1,155.25 MW as measured at the high-side of the main step-up transformer(s) and 1,150.00 MW at the Point of Interconnection. The Parties acknowledge that the Large Generating Facility has a total net capability that exceeds these values. Accordingly, the Interconnection Customer agrees to install, own, operate and maintain a control limiting device or, alternatively, by means of configuring the Large Generating Facility's control system to ensure the Large Generating Facility does not exceed the total net output capacity provided under the LGIA at the high-side of the main step-up transformer(s) and Point of Interconnection, subject to the following:

- (a) The Interconnection Customer shall provide documentation to the Participating TO and CAISO prior to the Initial Synchronization Date which demonstrates the ability of the control limiting device or configuration of the control system to ensure the Large Generating Facility does not exceed the total net output capacity provided under the LGIA at the high-side of the main step-up transformer(s) and Point of Interconnection.



- (b) The Interconnection Customer's control limiting device or configuration of the control system for the Large Generating Facility shall be installed prior to the Initial Synchronization Date.
- (c) The control limiting device or configuration of the control system must be tested and remain in-service and operable at all times during which the Large Generating Facility is producing electricity.
- (d) The Interconnection Customer understands and acknowledges that if at any time the Participating TO or CAISO identifies that the Large Generating Facility has exceeded the total net output capacity provided under the LGIA at the high-side of the main step-up transformer(s) or Point of Interconnection, this shall be considered a Breach of the LGIA and the Participating TO shall issue a notice of such Breach pursuant to Article 17.1 of this LGIA. Such Breach shall not be considered cured until such time as the Interconnection Customer can demonstrate, to the satisfaction of the Participating TO and the CAISO, that the Large Generating Facility will be restricted to within the total net output capacity provided under the LGIA at the high-side of the main step-up transformer(s) and Point of Interconnection by the Interconnection Customer's control limiting device or control system.

The Interconnection Customer has requested, and this LGIA provides for a total Charging Capacity of **1,164.81 MW** as measured at the high-side of the main step-up transformer(s) and **1,169.97 MW** at the Point of Interconnection. The Parties acknowledge that the Large Generating Facility has a total charging capability that exceeds these values. Accordingly, the Interconnection Customer agrees to install, own, operate and maintain a control limiting device or, alternatively, by means of configuring the Large Generating Facility's control system to ensure the Large Generating Facility does not exceed the total Charging Capacity provided under the LGIA at the high-side of the main step-up transformer(s) and Point of Interconnection, subject to the following:

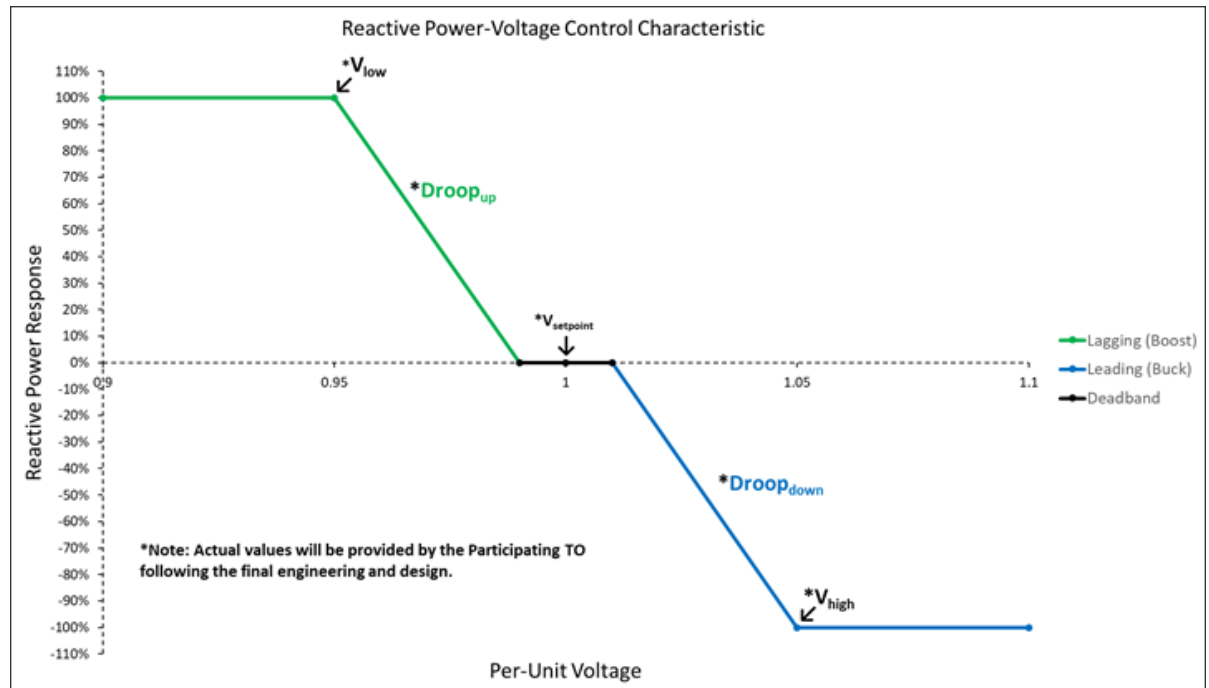
- (a) The Interconnection Customer shall provide documentation to the Participating TO and CAISO prior to the Initial Synchronization Date which demonstrates the ability of the control limiting device or configuration of the control system to ensure the Large Generating Facility does not exceed the total Charging Capacity provided under the LGIA at the high-side of the main step-up transformer(s) and Point of Interconnection.
- (b) The Interconnection Customer's control limiting device or configuration of the control system for the Large Generating Facility shall be installed prior to the Initial Synchronization Date.
- (c) The control limiting device or configuration of the control system must be tested and remain in-service and operable at all times during which the Large Generating Facility is producing electricity.
- (d) The Interconnection Customer understands and acknowledges that if at any time the Participating TO or CAISO identifies that the Large Generating Facility has exceeded the total Charging Capacity provided under the LGIA at the high-

side of the main step-up transformer(s) or Point of Interconnection, this shall be considered a Breach of the LGIA and the Participating TO shall issue a notice of such Breach pursuant to Article 17.1 of this LGIA. Such Breach shall not be considered cured until such time as the Interconnection Customer can demonstrate, to the satisfaction of the Participating TO and the CAISO, that the Large Generating Facility will be restricted to within the total Charging Capacity provided under the LGIA at the high-side of the main step-up transformer(s) and Point of Interconnection by the Interconnection Customer's control limiting device or control system.

The Interconnection Customer acknowledges that if the Interconnection Customer wishes to increase the amount of interconnection capacity provided pursuant to this LGIA, the Interconnection Customer shall be required to submit a new Interconnection Request in accordance with the terms and conditions of the CAISO Tariff.

2. Interconnection Customer Operational Requirements:

- (a) The Large Generating Facility shall be operated so as to prevent or protect against the following adverse conditions on the Participating TO's electric system: inadvertent and unwanted re-energizing of a utility dead line or bus; interconnection while out of synchronization; overcurrent; voltage imbalance; ground faults; generated alternating current frequency outside permitted safe limits; power factor or reactive power outside permitted limits; and abnormal waveforms.
- (b) The Large Generating Facility will be required to operate within a 0.95 leading (buck) to 0.95 lagging (boost) power factor in accordance with Article 9.6.1 of the LGIA. Under real-time operations, it is anticipated the Large Generating Facility will be required to operate in automatic voltage control mode actively controlling voltage as shown in the figure below. The actual values of the reactive power droop, deadband, scheduled voltage setpoint, V_{low} and V_{high} will be provided by the Participating TO once final engineering and design is completed.



- (c) The Interconnection Customer shall cause the Large Generating Facility to participate in any RAS required to prevent thermal overloads and unstable conditions resulting from outages. Such participation shall be in accordance with applicable FERC regulations, and CAISO Tariff provisions and protocols. In accordance with Good Utility Practice, the Participating TO will provide the Interconnection Customer advance notice of any required RAS beyond that which has already been identified in the Phase II Interconnection Study and this LGIA.
- (d) Following outages of the Interconnection Facilities or the Large Generating Facility, the Interconnection Customer shall not energize the Large Generating Facility or Interconnection Customer's Interconnection Facilities for any reason without specific permission from the Participating TO's and the CAISO's operations personnel. Such permission shall not be unreasonably withheld.
- (e) The Interconnection Customer shall maintain operating communications with the Participating TO's designated switching center. The operating communications shall include, but not be limited to, system parallel operation or separation, scheduled and unscheduled outages, equipment clearances, protective relay operations, and levels of operating voltage and reactive power.
- (f) In accordance with Appendix D of the LGIA, the Interconnection Customer shall immediately notify the Participating TO and the CAISO of an occurrence of a physical or cyber breach, or any attempted breach, of the Participating TO's BES Cyber Asset(s) located at the Large Generating Facility or within a Shared

BES Cyber Asset Facility. Such notification to the Participating TO and the CAISO by the Interconnection Customer shall be made to the Participating TO's and the CAISO's respective operations representative as identified in Section (b) of Appendix F of the LGIA.

The Interconnection Request for the Large Generating Facility was evaluated as part of CAISO's Queue Cluster 12 and the Interconnection Customer selected Option A as the deliverability option under GIDAP Section 7.2. In accordance with the TP Deliverability allocation procedures of GIDAP Section 8.9, following the CAISO's allocation of TP Deliverability, the Interconnection Customer has elected for the Large Generating Facility to have Full Capacity Deliverability Status, as such term is defined in the CAISO Tariff. The Interconnection Customer acknowledges and understands that until (i) all required Network Upgrades as stated in this LGIA and (ii) all required network upgrades identified for the Large Generating Facility as stated in the governing interconnection study report (i.e., Phase II Interconnection Study report as that report may have been amended or modified in subsequent studies or reassessments), including all required transmission upgrades triggered by earlier queued generation that were assumed in-service in the governing interconnection study, are constructed and placed in service, the Large Generating Facility will not achieve Full Capacity Deliverability Status or Partial Capacity Deliverability Status.

- (g) In accordance with Section 6.3.2.3 of the GIDAP, the Large Generating Facility will have Off-Peak Deliverability Status, as such term is defined in the CAISO Tariff. The Interconnection Customer acknowledges and understands that until (i) all required Network Upgrades as stated in this LGIA and (ii) all required network upgrades identified for the Large Generating Facility as stated in the governing interconnection study report, including all required transmission upgrades triggered by earlier queued generation that were assumed in-service in the governing interconnection study, are constructed and placed in service, the Large Generating Facility will not achieve Off-Peak Deliverability Status.
- (h) The Interconnection Customer whose Large Generating Facility is a Variable Energy Resource shall provide meteorological and forced outage data to the CAISO pursuant to Article 8.4 of the LGIA. Requirements for meteorological data shall be in accordance with Appendix Q of the CAISO Tariff, and for forced outage data in accordance with Sections 9.3.10.3(b) and 9.3.10.3.1(b) of the CAISO Tariff.
- (i) Compliance with Applicable Reliability Standards: The Interconnection Customer shall comply with all Applicable Reliability Standards for the Interconnection Customer's Interconnection Facilities and the Large Generating Facility, which for purposes of clarity includes the Interconnection Customer's BES Cyber Asset(s). The Participating TO will not assume any responsibility for complying with mandatory reliability standards for such facilities and offers

no opinion as to whether the Interconnection Customer must register with NERC. If required to register with NERC, the Interconnection Customer shall be responsible for complying with all Applicable Reliability Standards for the Interconnection Customer's Interconnection Facilities and the Large Generating Facility up to the Point of Change of Ownership, as described in Section 4 of Appendix A of this LGIA. Consistent with Article 5.12, the Interconnection Customer shall provide access to the Participating TO to enable the Participating TO to comply with all Applicable Reliability Standards for the Participating TO's BES Cyber Asset(s), including for BES Cyber Asset(s) located at a Shared BES Cyber Asset Facility. The Interconnection Customer acknowledges that the access required under this section may include both physical and electronic access, and may require the installation of physical access controls by the Participating TO.

- (j) Primary Frequency Response Operating Range for Electric Storage Resources: In accordance with Article 9.6.4.4 of the LGIA, the storage component(s) of the Large Generating Facility as described in Section 1 of this Appendix C shall comply with the primary frequency response requirements of Articles 9.6.4, 9.6.4.1 and 9.6.4.2 of the LGIA whenever such storage component(s) is operating in parallel (in generation or charging mode) with the CAISO Controlled Grid and is at a state of charge within the range set forth below as provided by the Interconnection Customer:

Minimum state of charge: 0.0 % of the upper charging limit of each storage component

Maximum state of charge: 100 % of the upper charging limit of each storage component

Upper charging limit: 9,200 MWh for each storage component of the Large Generating Facility

The state of charge range specified above for the purpose of complying with the primary frequency response requirements of the LGIA shall be dynamic and is subject to initial evaluation as part of final engineering after the execution of the LGIA and periodic reevaluation once every three years (unless requested otherwise by the CAISO), and modification by the CAISO in consultation with the Interconnection Customer and Participating TO. Factors to be considered, but not limited to, in such reevaluation and potential modification may include the following: 1) the expected magnitude of frequency deviations in the interconnection, 2) the expected duration that system frequency will remain outside of the deadband parameter in the interconnection, 3) the expected incidence of frequency deviations outside of the deadband parameter in the interconnection, 4) the physical capabilities of the electric storage resource, 5) operational limitations of the electric storage resource due to manufacturer specifications, and 6) any other relevant factors agreed to by CAISO and Interconnection Customer, and in consultation with the Participating TO. Any

change in the state of charge range specified above, or as previously determined pursuant to this Section 2(k) of Appendix C of the LGIA, as the result of such reevaluation shall be provided in writing by the CAISO to the Interconnection Customer and Participating TO in accordance with Article 15 of the LGIA.

3. Affected Systems Coordination:

The CAISO cannot study comprehensively the impacts of the Large Generating Facility on the transmission systems of Affected System operators. The CAISO does not have detailed information about Affected Systems on a transmission-element level, nor does the CAISO know the details of the various reliability and operating criteria applicable to the Affected Systems. In addition, because the operation of transmission systems and NERC reliability standards change over time, the CAISO cannot presume to know all of the impacts of these changes on Affected Systems. As such, the CAISO contacted all potential Affected Systems to inquire whether they are impacted by the Large Generating Facility's interconnection to the CAISO Controlled Grid. The CAISO provided notice to the Interconnection Customer of the Identified Affected Systems for the Large Generating Facility. To ensure a safe and reliable interconnection to the CAISO Controlled Grid, six (6) months before the Initial Synchronization Date of the Large Generating Facility, the Interconnection Customer shall provide documentation to the CAISO, in accordance with Article 11.4.2 of the LGIA and Section 3.7 of the GIDAP, confirming that the Identified Affected Systems have been contacted by the Interconnection Customer, and (i) that any system reliability impacts have been addressed (or that there are no system impacts), or (ii) that the Interconnection Customer has taken all reasonable steps to address potential reliability system impacts with the Identified Affected Systems but has been unsuccessful.

Appendix D

Security Arrangements Details

Infrastructure security of CAISO Controlled Grid equipment and operations and control hardware and software is essential to ensure day-to-day CAISO Controlled Grid reliability and operational security. FERC will expect the CAISO, all Participating TOs, market participants, and Interconnection Customers interconnected to the CAISO Controlled Grid to comply with Applicable Reliability Criteria. All public utilities will be expected to meet basic standards for system infrastructure and operational security, including physical, operational, and cyber-security practices.

The Interconnection Customer shall meet the requirements for security implemented pursuant to the CAISO Tariff, including the CAISO's standards for information security posted on the CAISO's internet web site at the following internet address:
<http://www.caiso.com/pubinfo/info-security/index.html>.



Appendix E

Commercial Operation Date

[This Appendix E sets forth a form of letter to be provided by the Interconnection Customer to the CAISO and Participating TO to provide formal notice of the Commercial Operation of an Electric Generating Unit.]

[Date]

Mike Turner
Manager, Model and Contract Implementation
California Independent System Operator Corporation
250 Outcropping Way
Folsom CA 95630

Manager, Grid Contract Management
Southern California Edison Company
P. O. Box 800
2244 Walnut Grove Avenue
Rosemead, California 91770

Re: _____ Electric Generating Unit

Dear Mr. Turner, Manager, Grid Contract Manager:

On **[Date]** 16DO 8me LLC has completed Trial Operation of Unit No. _____. This letter confirms that 16DO 8me LLC commenced Commercial Operation of Unit No. _____ at the Electric Generating Unit, effective as of **[Date plus one day]** and that 16DO 8me LLC provided the CAISO's operations personnel advance notice of its intended Commercial Operation Date no less than five Business Days prior to that date.

Thank you.

[Signature]

[Interconnection Customer Representative]

CC: CAISO Queue Management

Appendix F

Addresses for Delivery of Notices and Billings

Notices:
(a) General Notices:

CAISO	Participating TO	Interconnection Customer
California Independent System Operator Corporation Attn: Regulatory Contracts	Southern California Edison Company Attn: Manager, Grid Contract Management	16DO 8me LLC Attn: Transmission & Interconnection
250 Outcropping Way Folsom, CA 95630	P. O. Box 800 Rosemead, CA 91770	4370 Town Center Blvd., Suite 110 El Dorado Hills, CA 95762
E-mail: regulatorycontracts@caiso.com	E-mail: GridContractManagement@sce.com	ti@avantus.com

(b) Operating Communications and Notifications:

The CAISO, Participating TO and the Interconnection Customer shall provide for operating communications through their respective designated representatives as follows:

The Parties agree to exchange the following information prior to the Initial Synchronization Date:

CAISO	Participating TO	Interconnection Customer
CAISO Real Time Desk	Grid Control Center	Operator Name and/or Title:
24 Hour Telephone:	24 Hour Telephone:	Control Room Operator 24 Hour Telephone:
Alternate Phone:		Operation Center Fax. No.:
		E-mail:

Operational Matters, Force Majeure, Outage Notices, Requests for Physical Access to the Large Generating Facility and/or Shared BES Cyber Asset Facility, and Reports of Cyber or Physical Breaches or Attempted Breaches:

The Parties agree to exchange the following information prior to the Initial Synchronization Date:

CAISO	Participating TO	Interconnection Customer
Name:	Name/Title:	Name/Title:
Phone:	Phone:	Phone:

For Emergencies:

The Parties agree to exchange the following information prior to the Initial Synchronization Date:

CAISO	Participating TO	Interconnection Customer
Name:	Name/Title:	Name/Title:
Phone:	Phone:	Phone:

Billings and Payments:

CAISO	Participating TO	Interconnection Customer
California Independent System Operator Corporation Attn: Finance Dept. Mr. Dennis Estrada	Southern California Edison Company Attn: Accounts Receivable (GCM)	16DO 8me LLC Attn: Accounts Payable
250 Outcropping Way Folsom, CA 95630	P. O. Box 800 Rosemead, CA 91771-0001	4370 Town Center Blvd., Suite 110 El Dorado Hills, CA 95762 Email: ap@avantus.com

Alternative Forms of Delivery of Notices (telephone, facsimile or e-mail):

CAISO	Participating TO	Interconnection Customer
California Independent System Operator Corporation Attn: Queue Management	Southern California Edison Company Attn: Manager, Grid Contract Management.	16DO 8me LLC Attn: Ali Chowdhury, Vice President – Transmission & Interconnection

Phone: (916) 351-4400	Phone: (626) 302-9640	Phone (916) 990-8027
E-mail: queuemanagement@caiso.com	E-mail: GridContractManagement@sce.com	achowdhury@avantus.com



Appendix G

Interconnection Customer’s Share of Costs of Network Upgrades for Applicable Project Group

Type	Upgrades	Needed For	Cost factor	Cost Share (\$1000)
Reliability	Substation and Environmental Services	Interconnection Plan of Service	100.00%	\$7,511,612
			Total:	\$7,511,612

Note: The amounts shown above are in nominal dollars.

Appendix H

Interconnection Requirements For An Asynchronous Generating Facility

Appendix H sets forth interconnection requirements specific to all Asynchronous Generating Facilities. Except as provided in Section 25.4.2 of the CAISO tariff, existing individual generating units of an Asynchronous Generating Facility that are, or have been, interconnected to the CAISO Controlled Grid at the same location are exempt from the requirements of this Appendix H for the remaining life of the existing generating unit.

A. Technical Requirements Applicable to Asynchronous Generating Facilities

i. Voltage Ride-Through Capability

An Asynchronous Generating Facility shall be able to remain online during voltage disturbances up to the time periods and associated voltage levels set forth in the requirements below.

1. An Asynchronous Generating Facility shall remain online for the voltage disturbance caused by any fault on the transmission grid, or within the Asynchronous Generating Facility between the Point of Interconnection and the high voltage terminals of the Asynchronous Generating Facility's step up transformer, having a duration equal to the lesser of the normal three-phase fault clearing time (4-9 cycles) or one-hundred fifty (150) milliseconds, plus any subsequent post-fault voltage recovery to the final steady-state post-fault voltage unless clearing the fault effectively disconnects the generator from the system. Clearing time shall be based on the maximum normal clearing time associated with any three-phase fault location that reduces the voltage at the Asynchronous Generating Facility's Point of Interconnection to 0.2 per-unit of nominal voltage or less, independent of any fault current contribution from the Asynchronous Generating Facility.
2. An Asynchronous Generating Facility shall remain online for any voltage disturbance caused by a single-phase fault on the transmission grid, or within the Asynchronous Generating Facility between the Point of Interconnection and the high voltage terminals of the Asynchronous Generating Facility's step up transformer, with delayed clearing, plus any subsequent post-fault voltage recovery to the final steady-state post-fault voltage unless clearing the fault effectively disconnects the generator from the system. Clearing time shall be based on the maximum backup clearing time associated with a single point of failure (protection or breaker failure) for any single-phase fault location that reduces any phase-to-ground or phase-to-phase voltage at the Asynchronous Generating Facility's Point of Interconnection to 0.2 per-unit of nominal voltage or less, independent of any fault current contribution from the Asynchronous Generating Facility.

3. Remaining on-line shall be defined as continuous connection between the Point of Interconnection and the Asynchronous Generating Facility's units, without any mechanical isolation. Momentary cessation (namely, ceasing to inject current during a fault without mechanical isolation) is prohibited unless transient high voltage conditions rise to 1.20 per unit or more. For transient low voltage conditions, the Asynchronous Generating Facility's inverters will inject reactive current. The level of this reactive current must be directionally proportional to the decrease in per unit voltage at the inverter AC terminals. The inverter must produce full reactive current capability when the AC voltage at the inverter terminals drops to a level of 0.50 per unit or below. The Asynchronous Generating Facility must continue to operate and absorb reactive current for transient voltage conditions between 1.10 and 1.20 per unit.

Upon the cessation of transient voltage conditions and the return of the grid to normal operating voltage ($0.90 < V < 1.10$ per unit), the Asynchronous Generating Facility's inverters automatically must transition to normal active (real power) current injection. The Asynchronous Generating Facility's inverters must ramp up to inject active (real power) current with a minimum ramping rate of at least 100% per second (from no output to full available output). The total time to complete the transition from reactive current injection or absorption to normal active (real power) current injection must be one second or less. The total time to return from momentary cessation, if used, during transient high voltage conditions over 1.20 per unit or more must be one second or less.

4. The Asynchronous Generating Facility's inverter will be considered to have tripped where its AC circuit breaker is open or otherwise has electrically isolated the inverter from the grid. Following an inverter trip, the inverter must make at least one attempt to resynchronize and connect back to the grid unless the trip resulted from a fatal fault code, as defined by the inverter manufacturer. This attempt must take place within 2.5 minutes from the inverter trip. An attempt to resynchronize and connect back to the grid is not required if the trip was initiated due to a fatal fault code, as determined by the original equipment manufacturer.
5. The Asynchronous Generating Facility is not required to remain on line during multi-phased faults exceeding the duration described in Section A.i.1 of this Appendix H or single-phase faults exceeding the duration described in Section A.i.2 of this Appendix H.
6. The requirements of this Section A.i. of this Appendix H do not apply to faults that occur between the Asynchronous Generating Facility's terminals and the high side of the step-up transformer to the high-voltage transmission system.



7. Asynchronous Generating Facilities may be tripped after the fault period if this action is intended as part of a special protection system.
8. Asynchronous Generating Facilities may meet the requirements of this Section A.i of this Appendix H through the performance of the generating units or by installing additional equipment within the Asynchronous Generating Facility, or by a combination of generating unit performance and additional equipment.
9. The provisions of this Section A.i of this Appendix H apply only if the voltage at the Point of Interconnection has remained within the range of 0.9 and 1.10 per-unit of nominal voltage for the preceding two seconds, excluding any sub-cycle transient deviations.
10. Asynchronous Generating Facility inverters may not trip or cease to inject current for momentary loss of synchronism. As a minimum, the Asynchronous Generating Facility's inverter controls may lock the phase lock loop to the last synchronized point and continue to inject current into the grid at that last calculated phase prior to the loss of synchronism until the phase lock loop can regain synchronism. The current injection may be limited to protect the inverter. Any inverter may trip if the phase lock loop is unable to regain synchronism 150 milliseconds after loss of synchronism.
11. Inverter restoration following transient voltage conditions must not be impeded by plant level controllers. If the Asynchronous Generating Facility uses a plant level controller, it must be programmed to allow the inverters to automatically re-synchronize rapidly and ramp up to active current injection (without delayed ramping) following transient voltage recovery, before resuming overall control of the individual plant inverters.

ii. Frequency Disturbance Ride-Through Capability

An Asynchronous Generating Facility shall comply with the off nominal frequency requirements set forth in the NERC Reliability Standard for Generator Frequency and Voltage Protective Relay Settings, or successor requirements as they may be amended from time to time.

iii. Power Factor Design Criteria (Reactive Power)

An Asynchronous Generating Facility not studied under the Independent Study Process, as set forth in Section 4 of Appendix DD, shall operate within a power factor within the range of 0.95 leading to 0.95 lagging, measured at the high voltage side of the substation transformer, as defined in this LGIA in order to maintain a specified voltage schedule, if the Phase II Interconnection Study shows that such a requirement is necessary to ensure safety or reliability. An Asynchronous Generating Facility studied under the Independent Study Process, as set forth in Section 4 of Appendix DD, shall



operate within a power factor within the range of 0.95 leading to 0.95 lagging, measured at the high voltage side of the substation transformer, as defined in this LGIA in order to maintain a specified voltage schedule. The power factor range standards set forth in this section can be met by using, for example, power electronics designed to supply this level of reactive capability (taking into account any limitations due to voltage level, real power output, etc.) or fixed and switched capacitors, or a combination of the two, if agreed to by the Participating TO and CAISO. The Interconnection Customer shall not disable power factor equipment while the Asynchronous Generating Facility is in operation. Asynchronous Generating Facilities shall also be able to provide sufficient dynamic voltage support in lieu of the power system stabilizer and automatic voltage regulation at the generator excitation system if the Phase II Interconnection Study shows this to be required for system safety or reliability.

iv. Supervisory Control and Data Acquisition (SCADA) Capability

An Asynchronous Generating Facility shall provide SCADA capability to transmit data and receive instructions from the Participating TO and CAISO to protect system reliability. The Participating TO and CAISO and the Asynchronous Generating Facility Interconnection Customer shall determine what SCADA information is essential for the proposed Asynchronous Generating Facility, taking into account the size of the plant and its characteristics, location, and importance in maintaining generation resource adequacy and transmission system reliability.

v. Power System Stabilizers (PSS)

Power system stabilizers are not required for Asynchronous Generating Facilities.

vi. Transient Data Recording Equipment for Facilities above 20 MW

Asynchronous Generating Facilities with generating capacities of more than 20 MW must monitor and record data for all frequency ride-through events, transient low voltage disturbances that initiated reactive current injection, reactive current injection or momentary cessation for transient high voltage disturbances, and inverter trips. The data may be recorded and stored in a central plant control system. The following data must be recorded:

Plant Level:

- (1) Plant three phase voltage and current
- (2) Status of ancillary reactive devices
- (3) Status of all plant circuit breakers
- (4) Status of plant controller
- (5) Plant control set points
- (6) Position of main plant transformer no-load taps
- (7) Position of main plant transformer tap changer (if extant)
- (8) Protective relay trips or relay target data

Inverter Level:

- (1) Frequency, current, and voltage during frequency ride-through events
- (2) Voltage and current during momentary cessation for transient high voltage events (when used)
- (3) Voltage and current during reactive current injection for transient low or high voltage events
- (4) Inverter alarm and fault codes
- (5) DC current
- (6) DC voltage

The data must be time synchronized, using a GPS clock or similar device, to a one millisecond level of resolution. All data except phase angle measuring unit data must be sampled at least every 10 milliseconds. Data recording must be triggered upon detecting a frequency ride-through event, a transient low voltage disturbance that initiated reactive current injection, momentary cessation or reactive current injection for a transient high voltage disturbance, or an inverter trip. Each recording will include as a minimum 150 milliseconds of data prior to the triggering event, and 1000 milliseconds of data after the event trigger. The Asynchronous Generating Facility must store this data for a minimum of 30 days. The Asynchronous Generating Facility will provide all data within 10 calendar days of a request from the CAISO or the Participating TO.

The Asynchronous Generating Facility must install and maintain a phase angle measuring unit or functional equivalent at the entrance to the facility or at the Generating Facility's main substation transformer. The phase angle measuring unit must have a resolution of at least 30 samples per second. The Asynchronous Generating Facility will store this data for a minimum of 30 days. The Asynchronous Generating Facility will provide all phase angle measuring unit data within 10 calendar days of a request from the CAISO or the Participating TO.